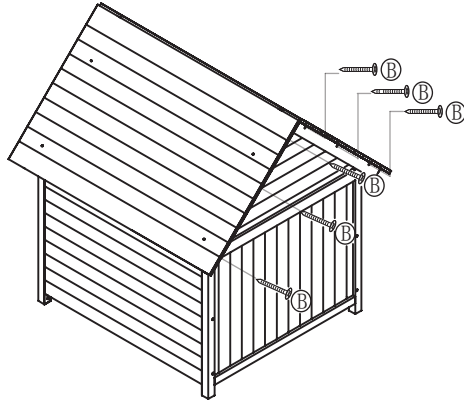
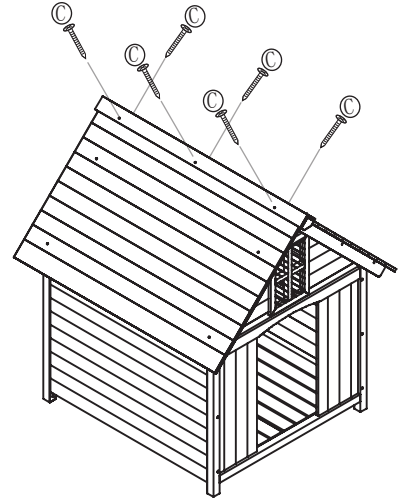


Step 5 Use screw B to assembly cornice on front of the house



Step 6 Use screw B to assembly cornice on back of the house



Step 7 Place the ridge on the roof and fix it with screw C

