

STEP 3 Attach the arm supports to the preassembled seat back.

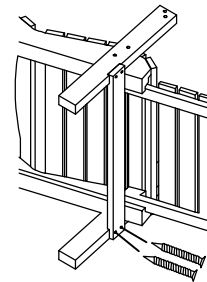


figure 3

1-1/2" SCREWS

STEP 4 Secure the arm supports to the seat base using 2 3/8 inch bolts, washers, and nuts (Hardware E).

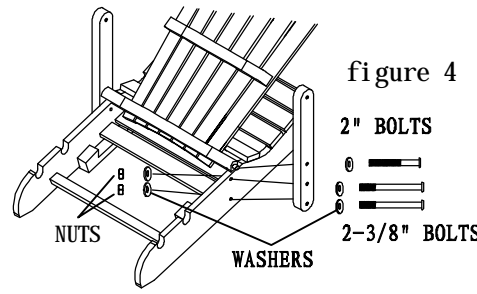


figure 4

2" BOLTS

NUTS

WASHERS

2-3/8" BOLTS

STEP 5 Attach Left and Right Arm Assemblies to the arm supports and seat back support using 2 3/4 inch bolts, washers, and nuts (Hardware F).

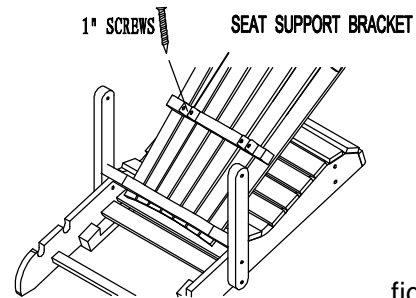


figure 5

1" SCREWS

SEAT SUPPORT BRACKET

STEP 6 Attach the adjustable seat back support to the preassembled seat back using the two seat support brackets (Hardware G), four 1 1/2 inch screws (Hardware B) and two 1 1/2 inch bolts and nuts (Hardware C).  
**HOLES ARE NOT PRE-DRILLED.**  
 Screws are self-tapping and will allow you to position.

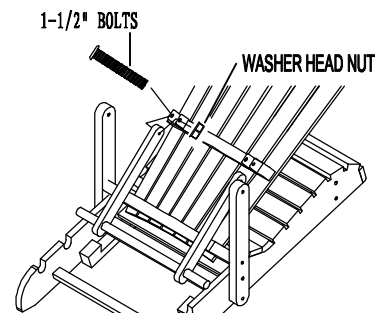


figure 6

1-1/2" BOLTS

WASHER HEAD NUT

STEP 7 Using the 2-3/4 inch bolts, washers and nuts, attach the arms to the chair assembly.  
*Note the position of the washers.* Tighten all bolts securely your adirondack chair is now ready to use or apply the finish of your choice.

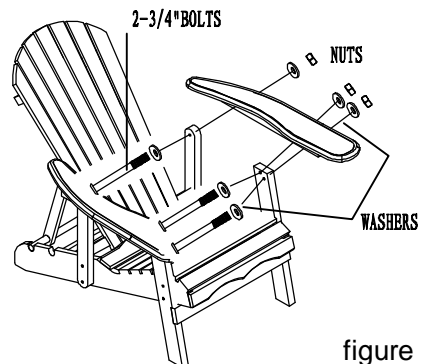


figure 7

2-3/4" BOLTS

NUTS

WASHERS

