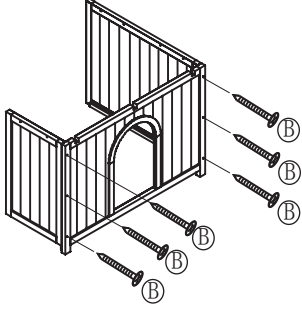
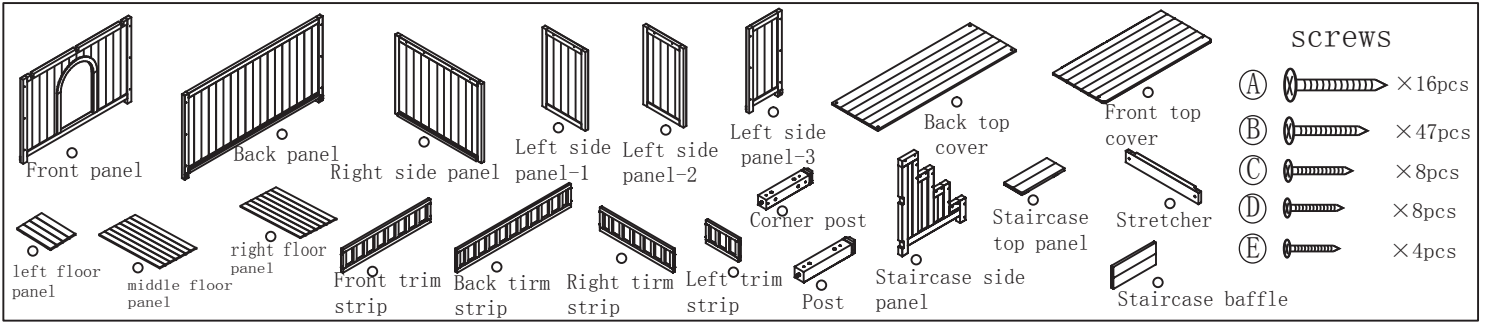
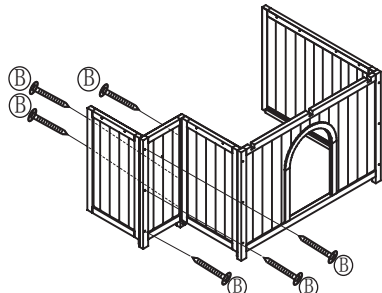


hayneedle

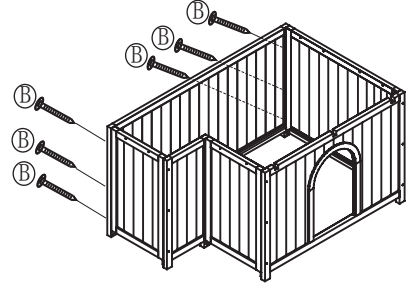
Assembly Instructions



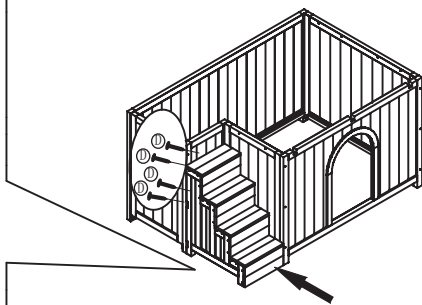
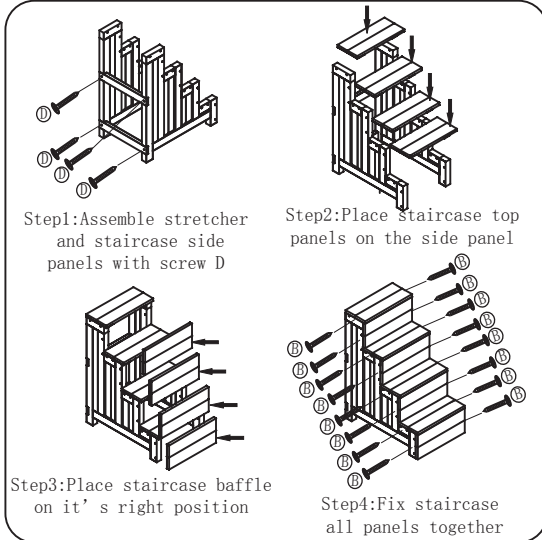
Step1:Use screw B to assemble right side panel and left side panel-1 and front panel together



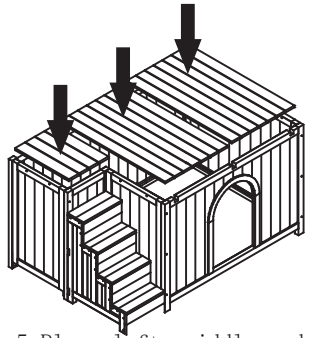
Step2:Assemble 3pcs left side panels with screw B



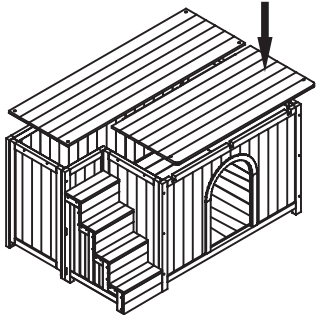
Step3:Install back panel on it is right position, the run is finished



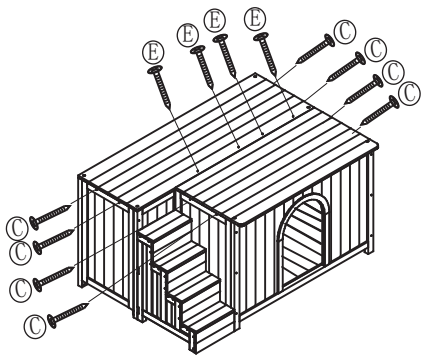
Step4:Use screw D to install stair case



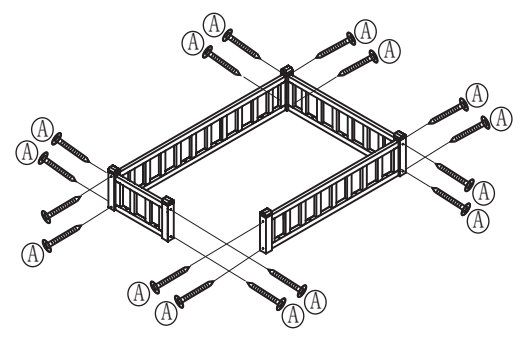
Step5:Place left, middle and right floor panels in the run



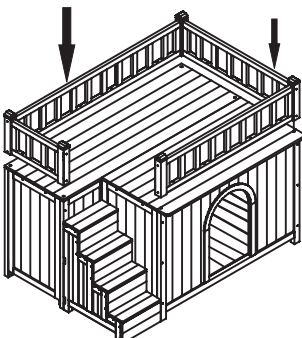
Step6:Place front top cover and back top cover on the run



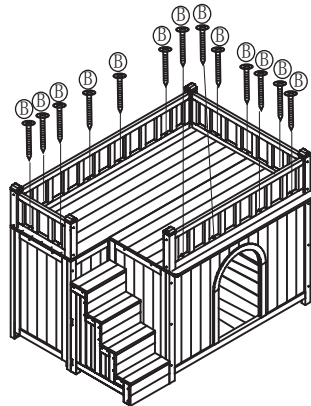
Step7:Fix top covers with screw C and E



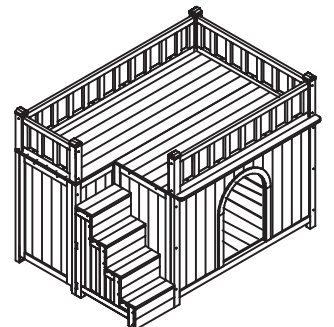
Step8:Assemble corner posts and posts and trim strips with screw A



Step9:Place the porch on it's right position



Step10:Fix the porch with screw B



Step11:Finished