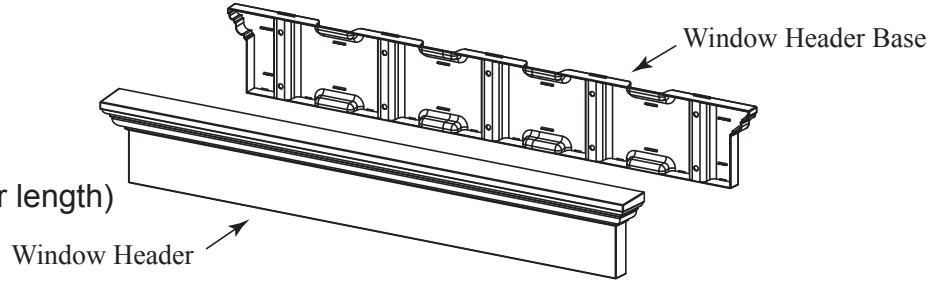


6" Window Header

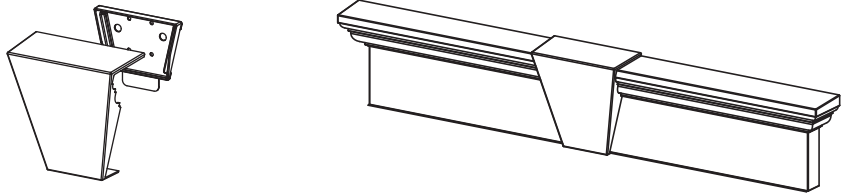
Header Installation Instructions

Kit Contains:

- 1 pc. Window Header
- 1 pc. Window Header Base
- 12 pcs. Shutter Loks
- Screws (quantity is dependent on header length)

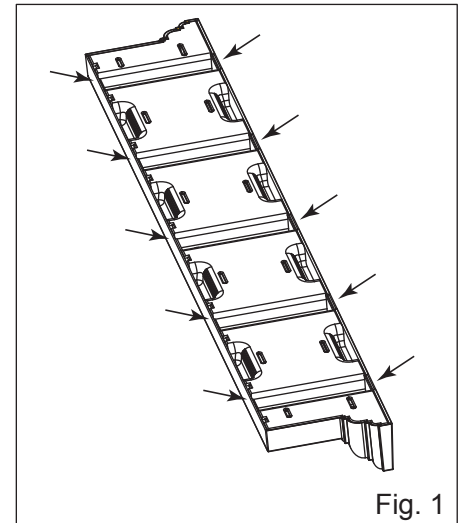


*Optional Keystone also available for reducing size, joining 2 units, or for decorative detail.



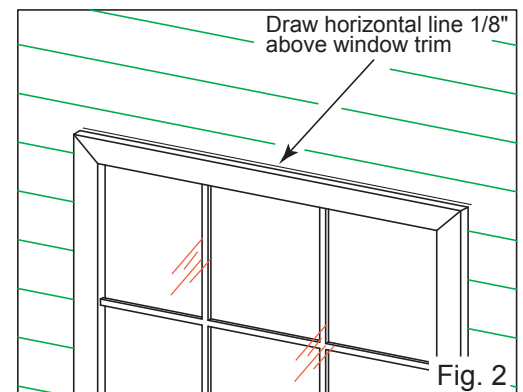
Step 1

Begin by removing the Window Header from the Window Header Base. This can be accomplished by disengaging the locking tabs. Figure 1 at right shows the location of these tabs. Note: Depending on the size of your Window Header Kit, there may be more or less locking tabs. To release the locks, start in the middle of the Header Assembly and pull the wall of the Header away from the Header Base. Continue this process working your way to the ends of the Window Header Assembly.



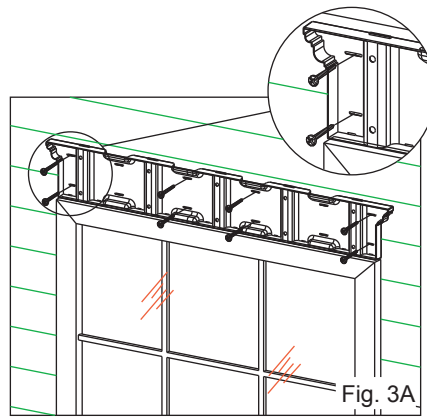
Step 2

Remove the Window Header from the Window Header Base by disengaging the lock tabs. See Figure above. Draw a horizontal line 1/8" above the window trim. This line will be used to properly space the Window Header from the window trim. See Figure 2 at right.

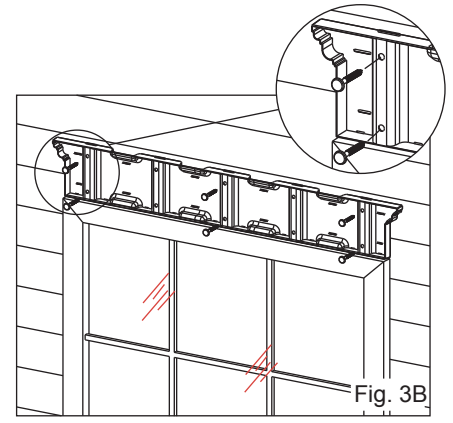


Step 3

Center the Window Header Base over the window and spaced 1/8" above the window trim. Use the elongated slots in the Header Base and attach the base to the house using the screws provided. Alternatively, the preferred method is to use Shutter Loks. The raised portions of the Header Base with the round holes receive the Shutter Loks. Attach Shutter Loks by drilling 1/4" holes into the wall. Be sure not to fasten the screws or Shutter Loks too tightly to allow for expansion and contraction. See Figures 3A and 3B at right.



Screw Application



Shutter Lok Application

Length	Min. # of screws
33 5/8	6
37 5/8	8
43 5/8	8
65 5/8	10
73 5/8	10

Note:

Figures 4A & 4B at right show cross sections of the Window Header in place. In some instances the Window Header may rock on the high point of the siding. To overcome this problem, insert the screws or Shutter Loks into the wall evenly. See Figure 4A at right. Insert the screws or Shutter Loks evenly, working between top and bottom.

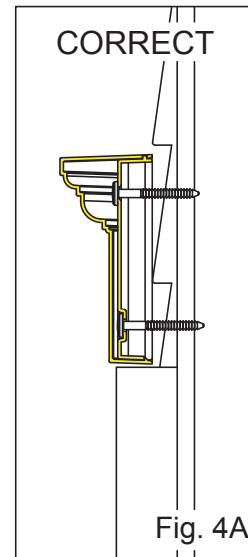


Fig. 4A

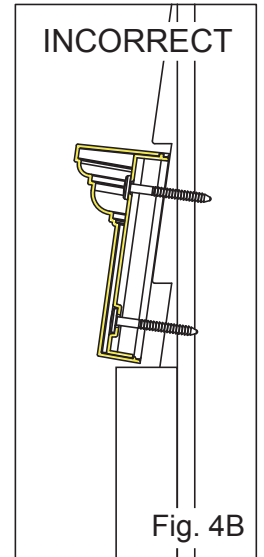


Fig. 4B

Step 4

With the Window Header Base securely fastened to the wall, attach the Window Header by snapping it into place. See Figure 5 at right.

