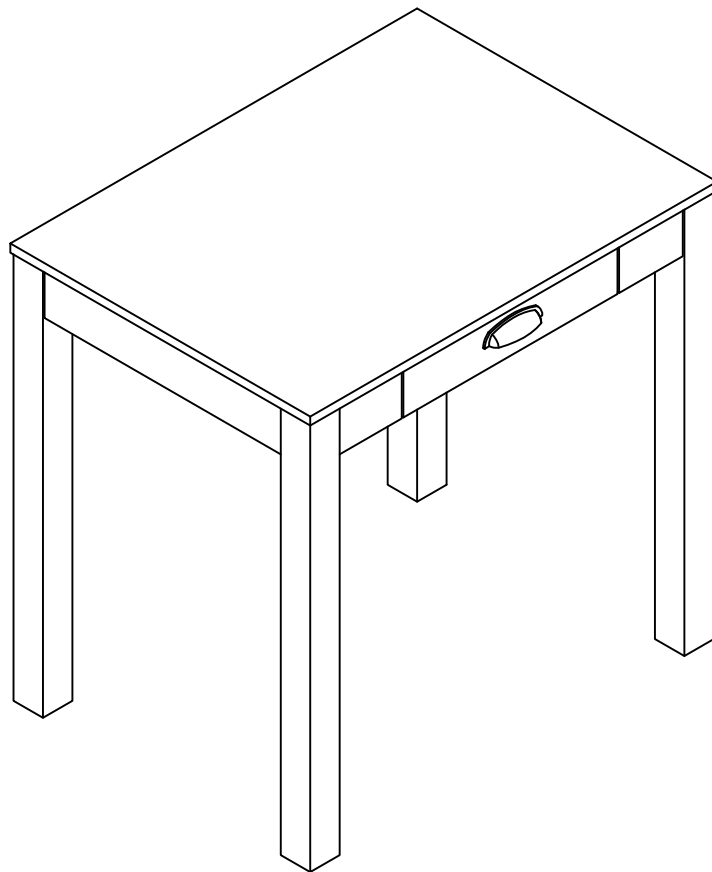


ITEM NAME:[CLASSIC PLAYTIME HONEYCOMB DESK]

SKU:[STIP035-1/STIP035-2/STIP035-3/STIP035-4/STIP035-5/STIP035-6]



For assistance with assembly, please contact
Hayneedle Customer Care Center
1-888-880-4884

PRE-ASSEMBLY PREPARATION:



THIS PACKAGE MAY CONTAIN SMALL ITEMS WHICH SHOULD BE KEPT AWAY FROM CHILDREN

.Please check that all parts and hardware are included before beginning assembly.

.Save all packing materials until assembly is complete to avoid accidentally discarding smaller parts or hardware.

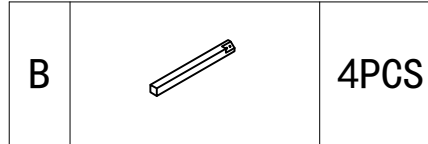
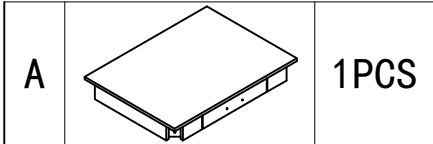
.Read through the preparation and assembly instructions in full before beginning assembly.

.Please use **CAUTION AND CARE WHEN LIFTING** the product to avoid personal injury and (or) damage to the product.

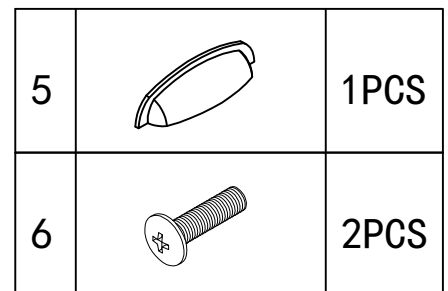
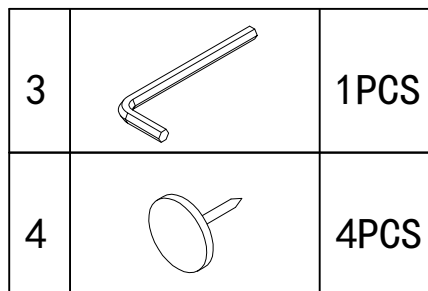
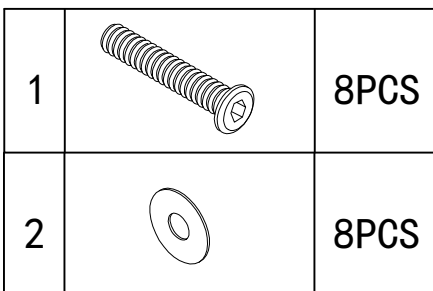
.The following additional tools are required for assembly: Screwdriver

.For ease of assembly, two adults are recommended.

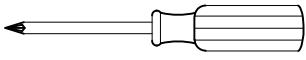
PANEL AND FITTINGS IDENTIFICATION:



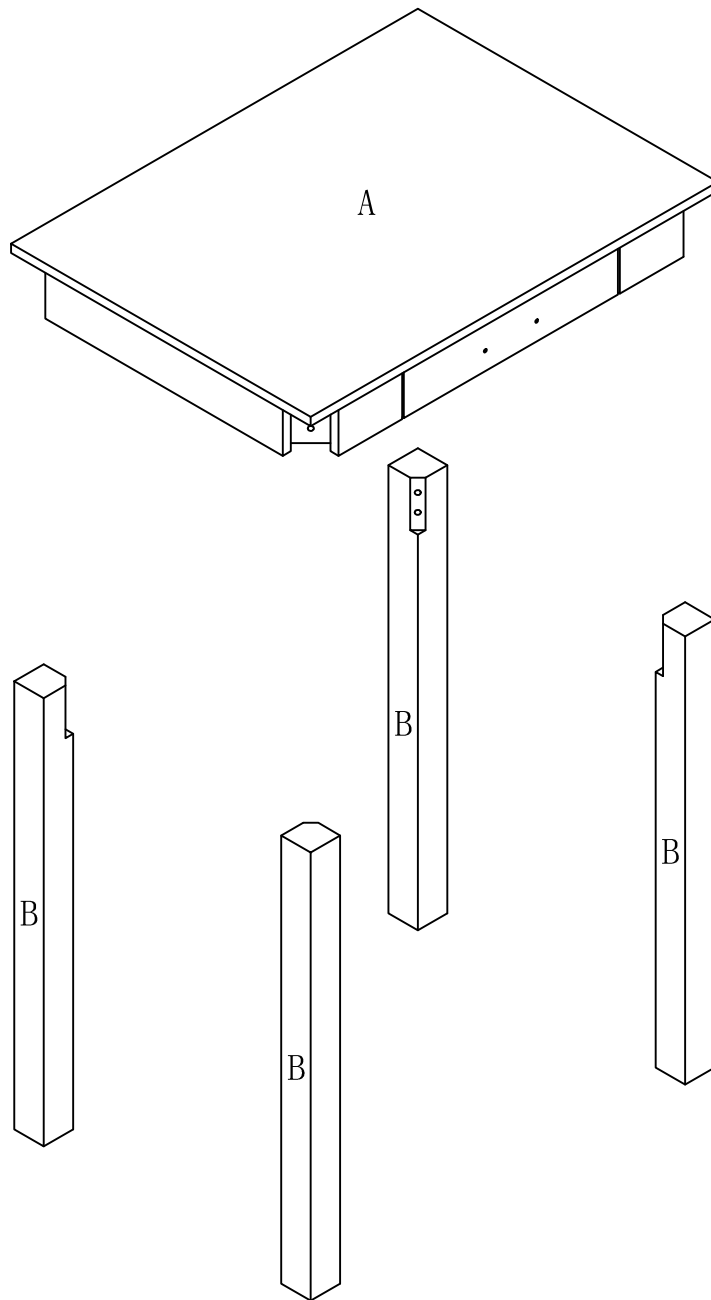
HARDWARE LIST:



TOOLS REQUIRED:

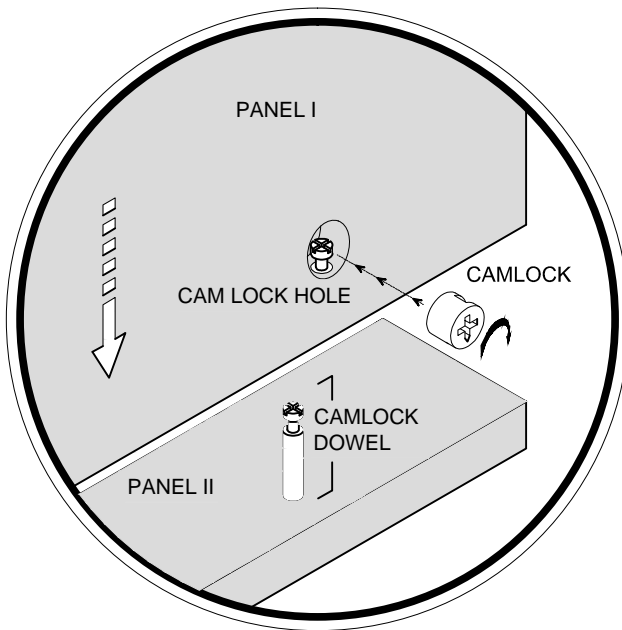


STRUCTURAL DIAGRAM:



CAMLOCK INSTRUCTION

This product is assembled with a cam lock set



STEP 1: Insert Cam Lock into the cam lock hold of Panel I. Cam lock arrow should be pointing towards the cam lock dowel insertion hole.

STEP 2: Insert the cam lock dowel into Panel II.

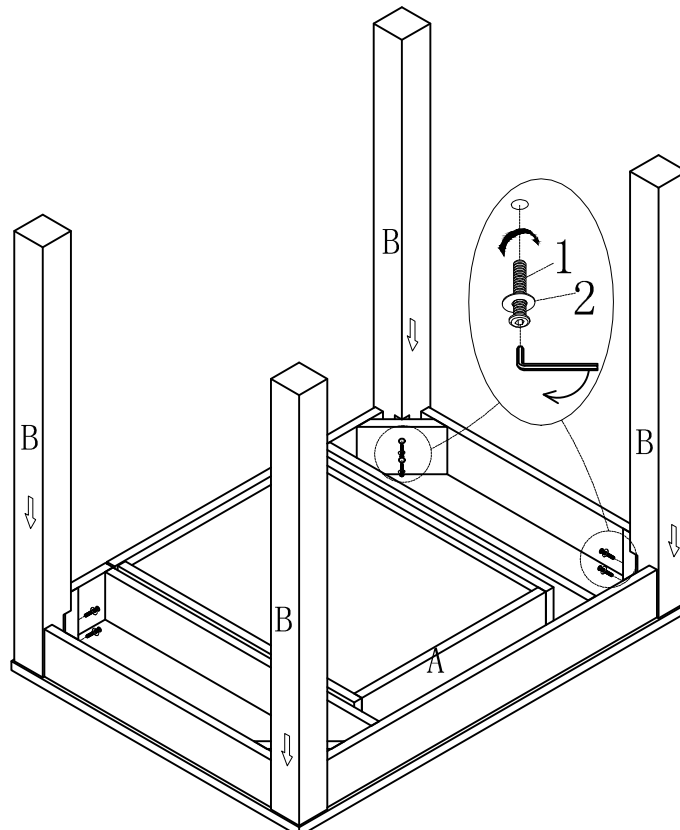
STEP 3: Connect Panel I and Panel II by inserting the cam lock dowel through the hole to which the cam lock arrow is pointing.

STEP 4: Press panel I and Panel II together.

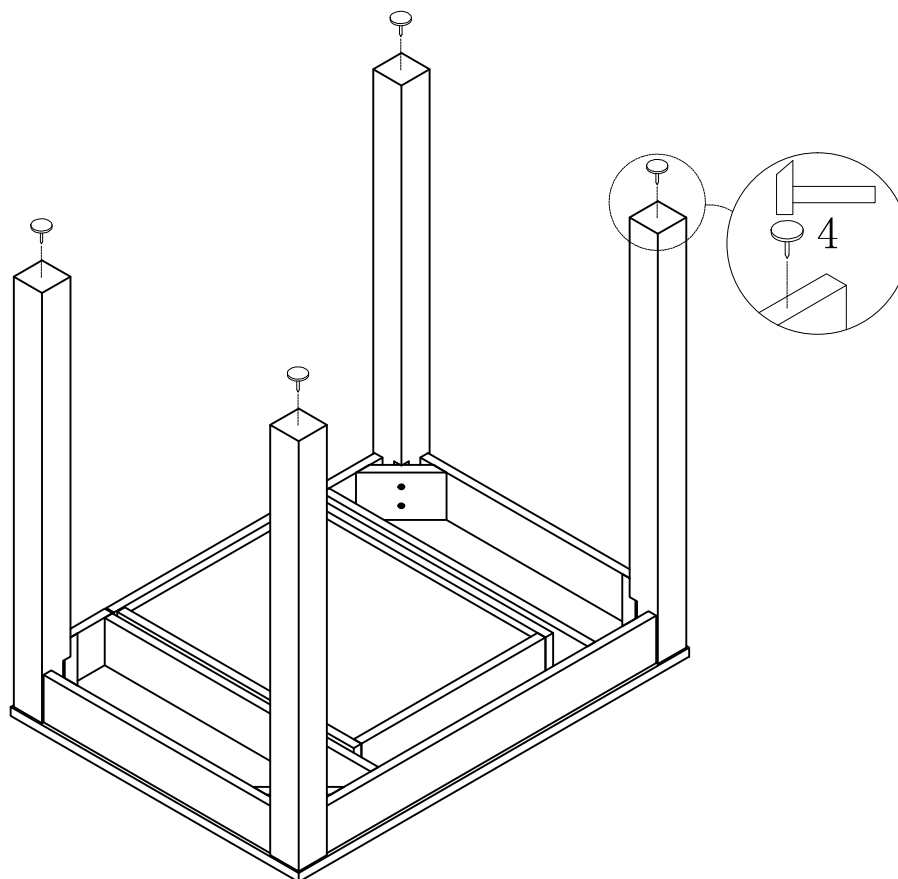
STEP 5: Lock panels together by turning cam lock clockwise using a screwdriver. The cam lock and dowel should make a click sound, indicating they are locked together.

STEP-BY-STEP ASSEMBLY:

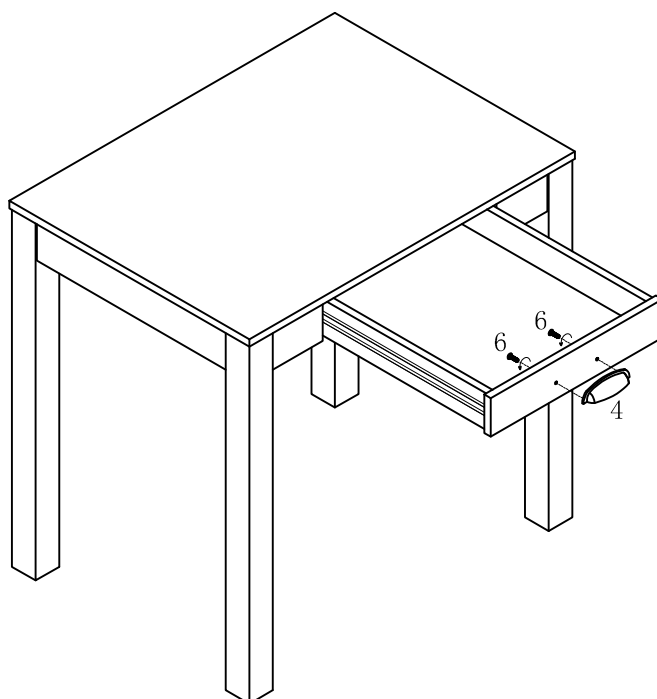
STEP 1:



Step 2:



Step 3:



Thanks for your purchase