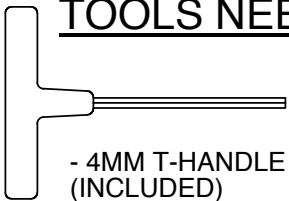


Model: GNB60

- (1) Seat
- (1) Back
- (2) Sideframes
- (2) Angle braces
- (1) Hardware pack

TOOLS NEEDED



- 4MM T-HANDLE HEX KEY
(INCLUDED)

- PHILLIPS HEAD SCREWDRIVER
(SCREW GUN RECCOMENDED)

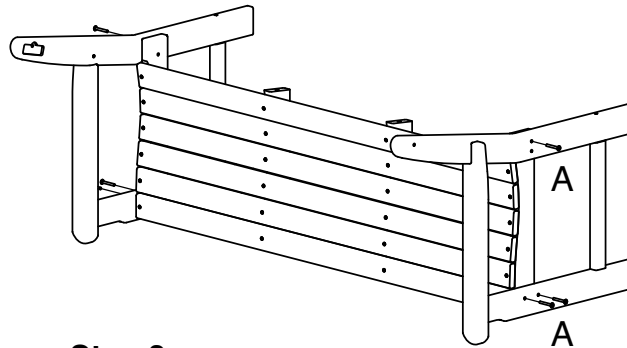
Note: Some steps may require two people

Step 1

Attach sideframes to seat using (6) 1¾" bolts

Do not tighten screws until last step

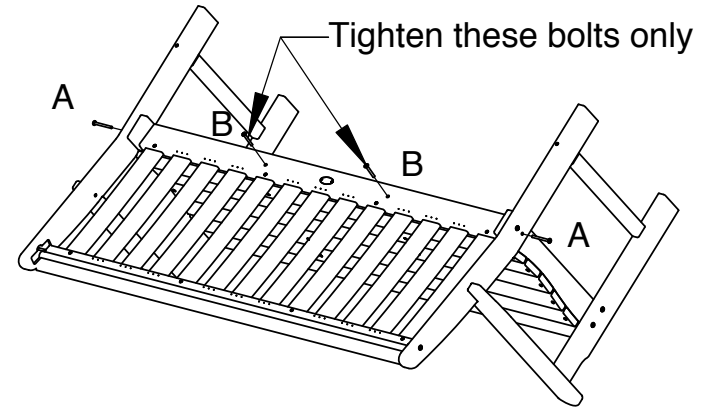
Note: Laying bench on the face may help assist in assembly



Step 2

Lay bench down and attach back bottom rail to seat and sideframes using (2) 2½" bolts

Attach back to seat supports using (2) 1¾" bolts



Step 3

Stand bench up and finish attaching sideframe to back using (2) 1¾" bolts

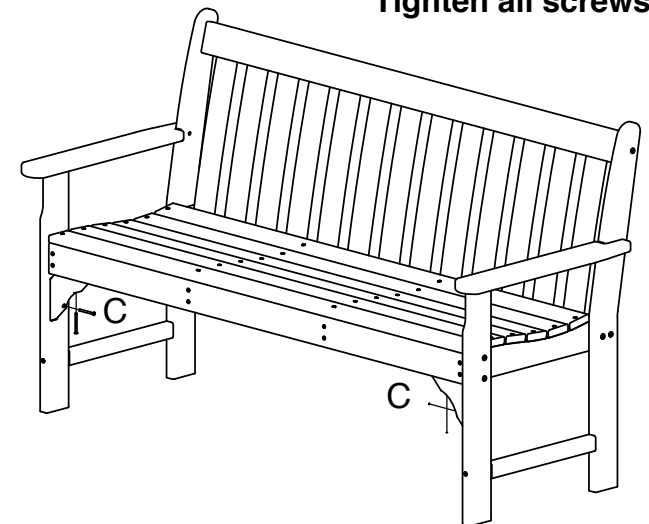
Note: You will need to bend the back assembly slightly to fit into pocket.



Step 4

Attach angle brace to front leg then seat using (4) 8x2" screws

Tighten all screws



Qty.	Description
10	A - 1/4-20 X 1-3/4 WAFER SHCS
2	B - 1/4-20 X 2-1/2 WAFER SHCS
4	C - 8 X 2 PHIL FLAT SCREW



To view our full warranty, please visit the warranty page on our website at polywoodinc.com/resources