

Oxford

Model # 8801

Oxford Tall Planter, 40 Inch



DESCRIPTION

This beautifully detailed Oxford Tall Planter offers high grade commercial quality with a touch of class and charm. What a great way to accent the entrance to your business or simply add character to any outdoor space.

- Commercial grade thickness for added strength
- Textured finish for increased durability
- Molded polyethylene planter with UV inhibitors
- Weather resistant, low maintenance material
- Single wall design with rolled rim for a clean finished look
- 5-Year commercial warranty

PRODUCT DIMENSIONS

Outside Dimensions: 22in L x 22in W x 40in H (55.9cm x 55.9cm x 101.6cm)

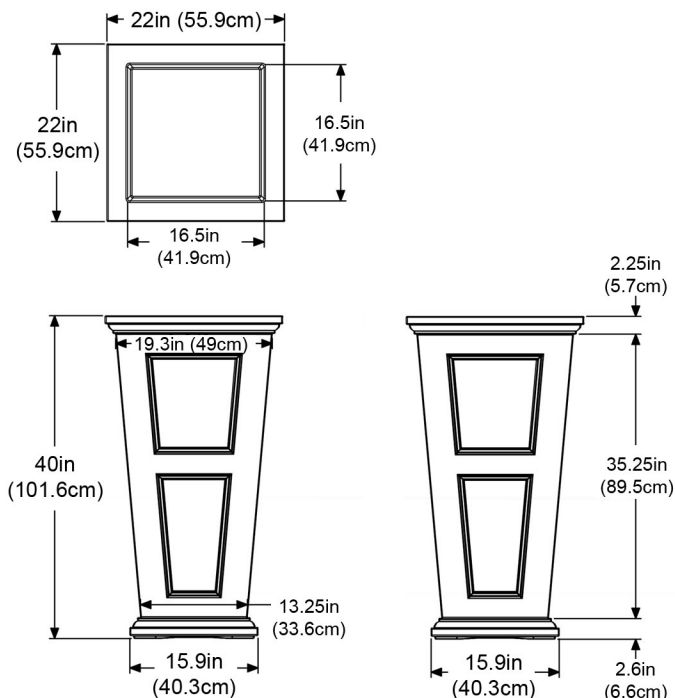
Opening Dimension: 16.5in L x 16.5in W (41.9cm x 41.9cm)

Soil Capacity: 40 Gallons (151 Liters)

Wall Thickness: 0.28in (7mm)

Part Weight: 35lbs (15.9kg)

Material: Polyethylene



AVAILABLE COLORS:

Black • B



Sandstone • SG



NOVO
Inspired by Design