



Assembly Instructions

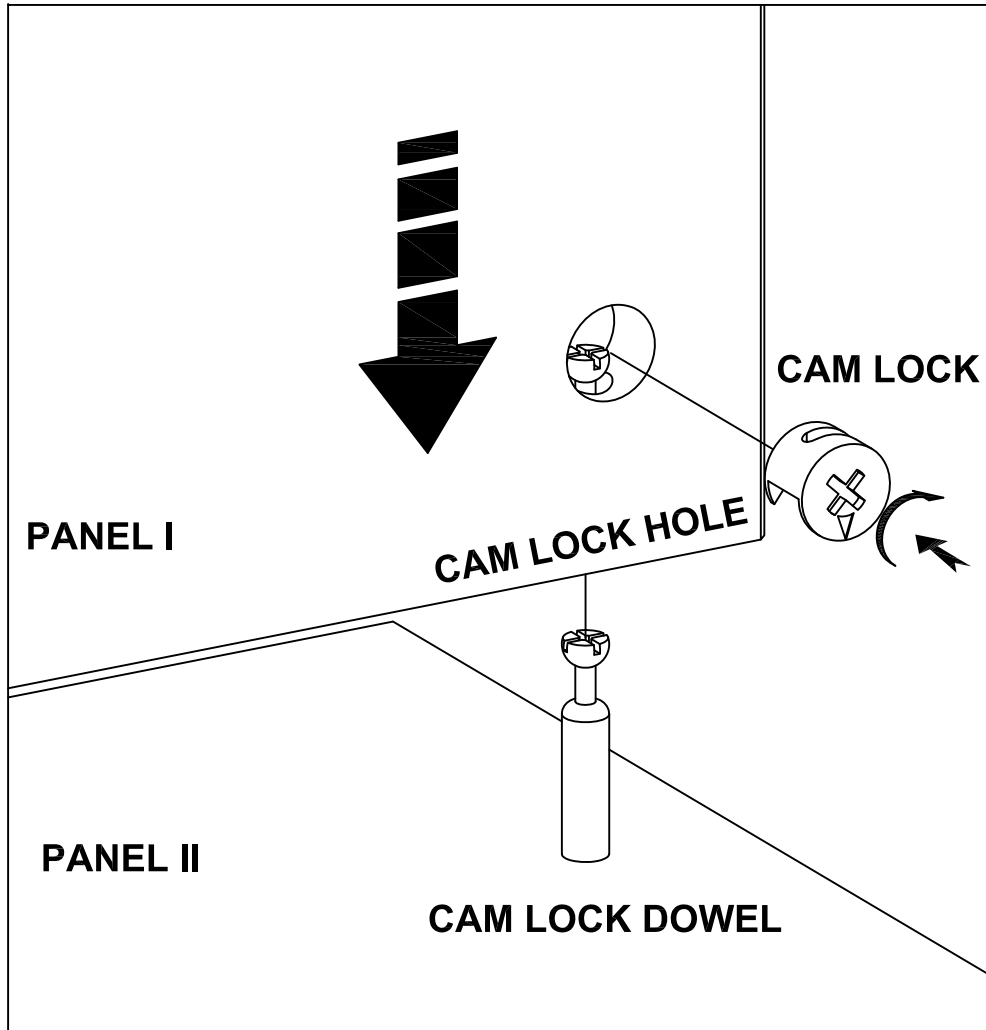
ITEM Number :	LFY269-1	(Vanilla)
	LFY269-2	(Espresso)
	LFY269-3	(Pecan)
	LFY269-4	(Blue Jean)
	LFY269-5	(Pink Parfait)

Product Name: Single Stacking Storage Bin

PRE-ASSEMBLY PREPARATION:

- Read the Assembly Instructions in full before you begin to assemble.
- Please check all contents of this package before attempting to assemble the product.
- Please use **CAUTION AND CARE WHEN LIFTING** the product to avoid personal injury and (or) damage to the product.
- For ease of assembly, two people are recommended.
- The expected time required for assembly is about 20-30 minutes.
- The hardware packet contains **SMALL ITEMS** which should be **KEPT AWAY FROM CHILDREN**.
- A full checklist of components is provided. If any components are missing, please contact the retailer from whom you have purchased this product or Hayneedle's Customer Care Center.

ADULT ASSEMBLY REQUIRED.



CAM LOCK INSTRUCTION:

STEP 1:

- *THIS CABINET IS ASSEMBLED WITH CAM LOCK SET.
- *SCREW CAM LOCK DOWEL INTO PANEL II.
- *INSERT CAM LOCK INTO PRE-DRILLED HOLE IN PANEL I
- *ROTATE CAM LOCK UNTIL ARROW IS IN LINE WITH HOLE ON PANEL EDGE.

STEP 2:

- *ALIGN CAM LOCK DOWEL TO CAM LOCK HOLE ON PANEL I, AND PRESS PANEL I & II TOGETHER.

STEP 3:

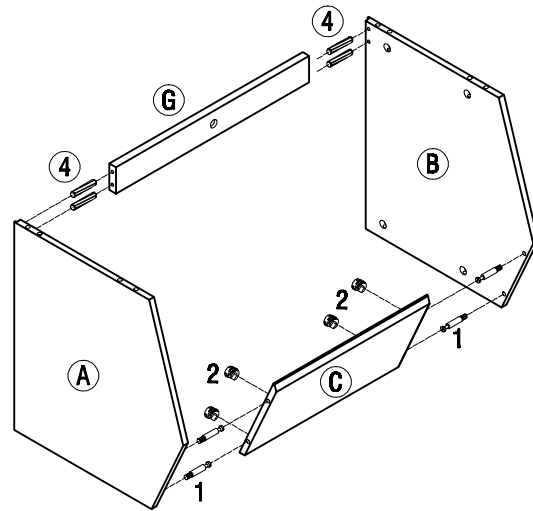
- *LOCK PANELS TOGETHER BY TURNING CAM LOCK CLOCKWISE UNTIL TIGHT.

ASSEMBLY INSTRUCTION

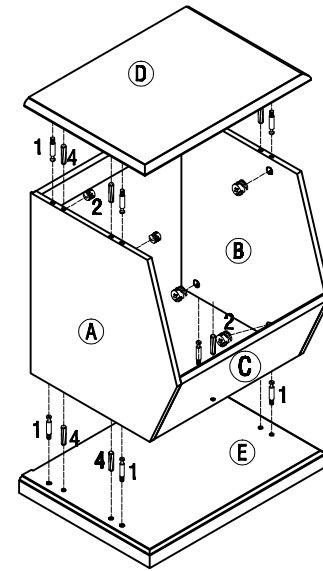
ITEM NO:

	PARTS	QTY
A		1PC
B		1PC
C		1PC
D		1PC
E		1PC
F		1PC
G		1PC
1		12PCS
2		12PCS
3		16PCS
3		12PCS

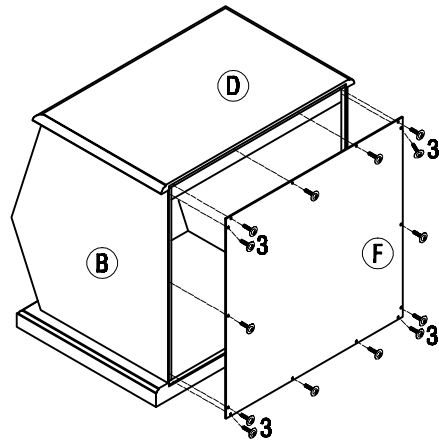
①



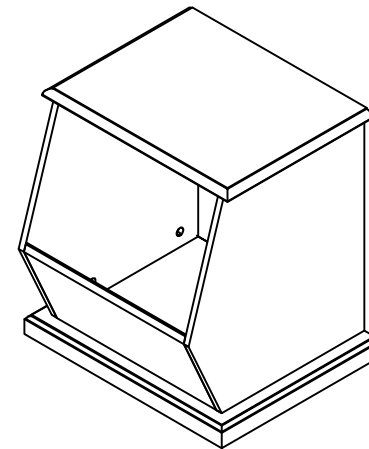
②



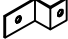



③



④



ITEM NO:

	PARTS	QTY
1		4PCS
2		8PCS
3		1PCS
4		1PCS

