



1.888.880.4884

Assembly Instructions

Item Number : LFY003-6(White), LFY003-7(Pecan), LFY003-8(Espresso), LFY003-9(Navy), LFY003-10(Pink)

Product Name: Classic Playtime Stackable Toy Storage with Shelves

PRE-ASSEMBLY PREPARATION:

- Insert applicable notes on checking carton for all necessary parts before beginning assembly.
- Any caution statements or comments on one or two people recommended for assembly.
- If small parts are present in the packaging. We must include a warning on keeping small parts away from children.
- ADULT ASSEMBLY REQUIRED

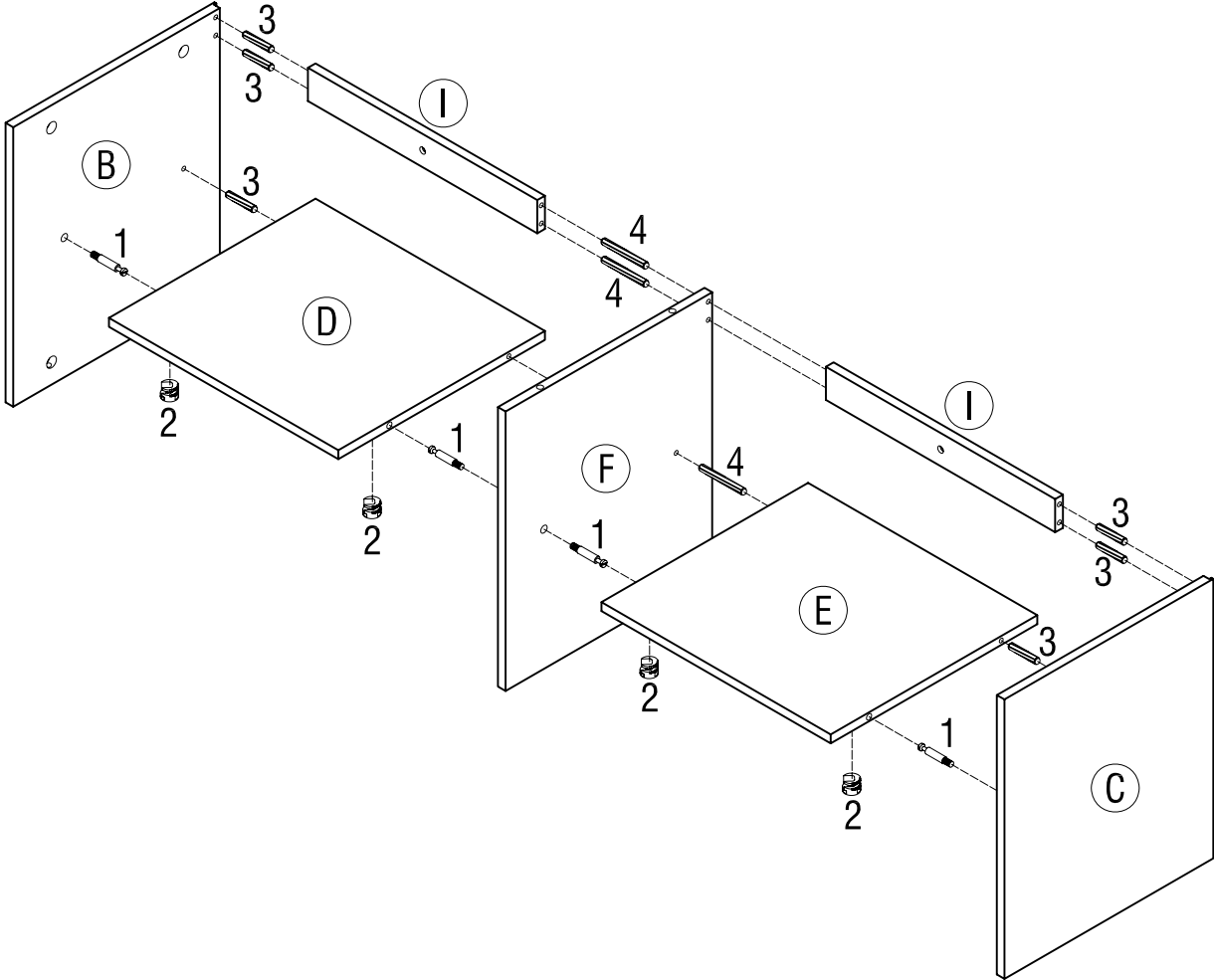
Panel and Fittings Identification: <Section for parts images and numbering/naming convention>

	PARTS	Q'TY
A		1PC
B		1PC
C		1PC
D		1PC
E		1PC
F		1PC
G		1PC
H		1PC
I		2PCS

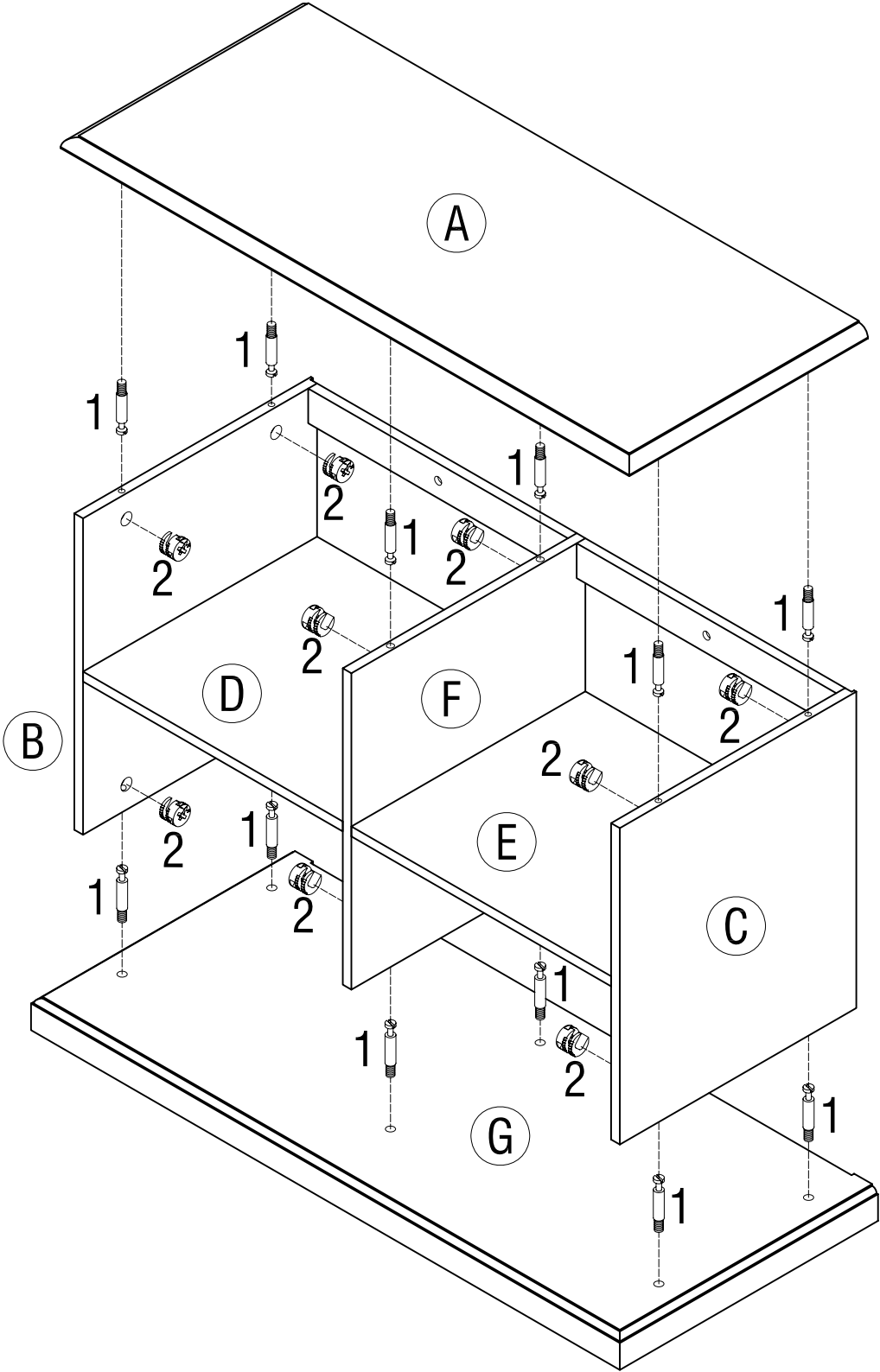
	PARTS	Q'TY
1		16PCS
2		16PCS
3		6PCS
4		3PCS
5		14PCS
6		4PCS
7		2PCS
8		1SET

Step By Step Assembly Instructions

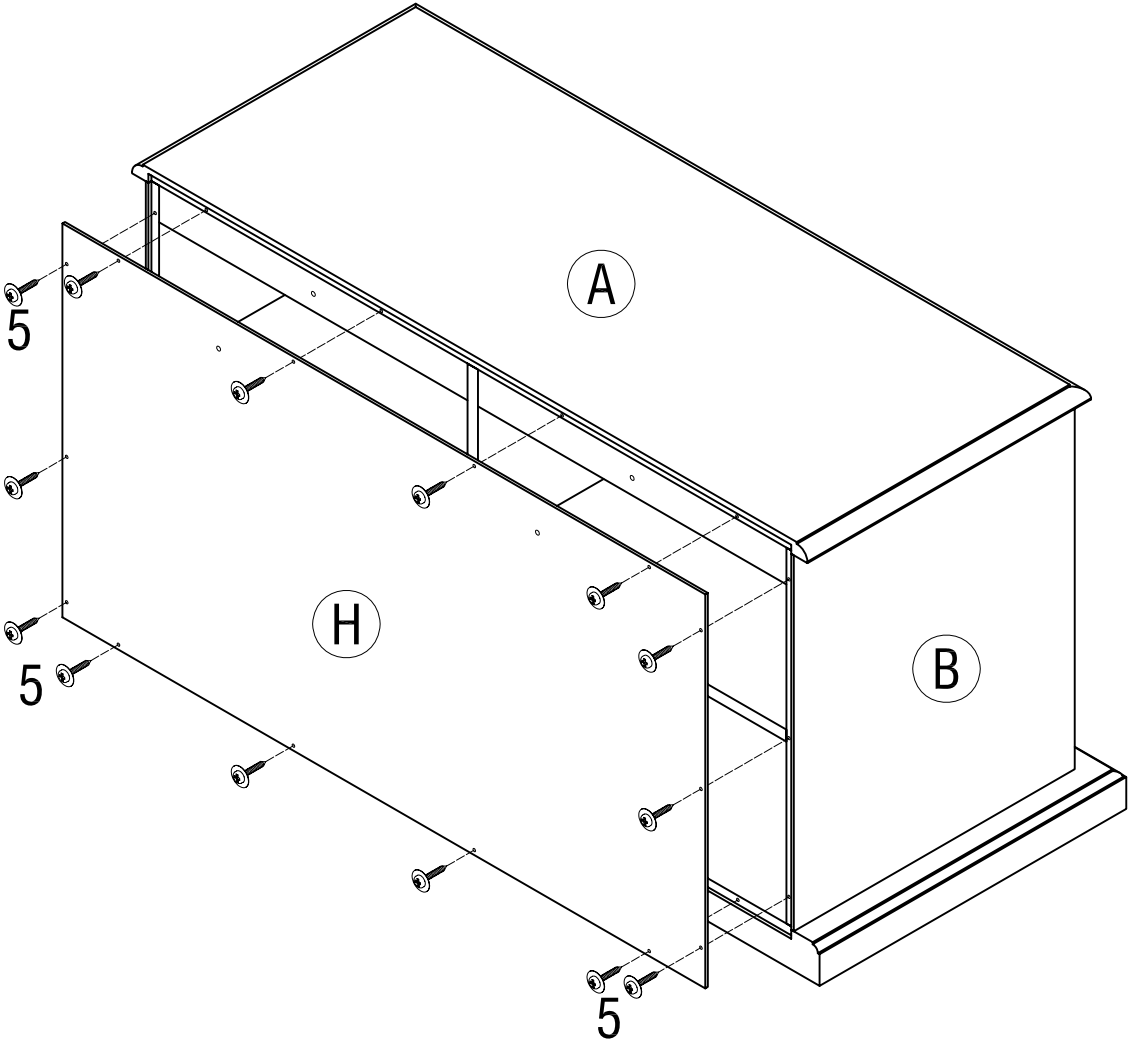
Step 1 :



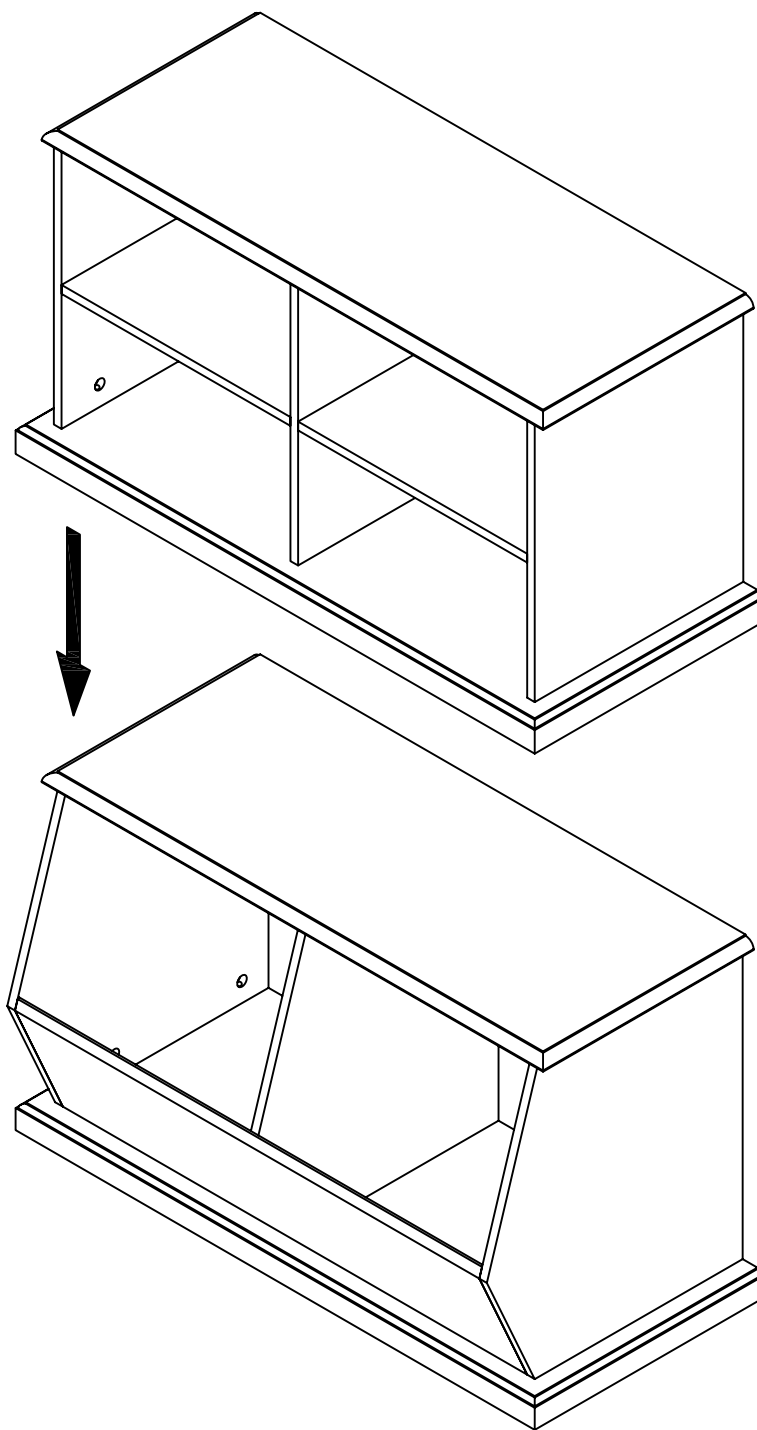
Step 2 :



Step 3 :

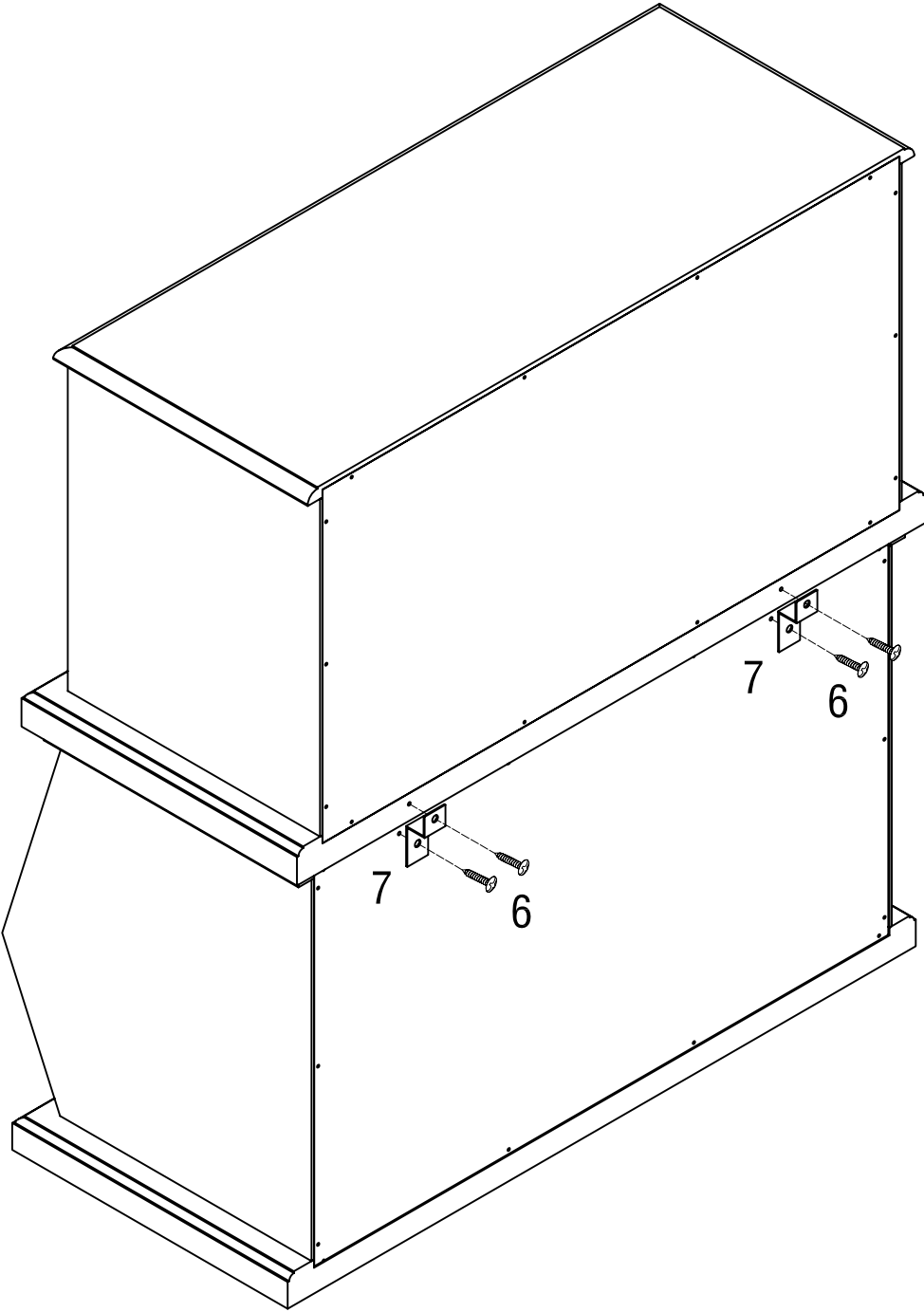


Step 4 :

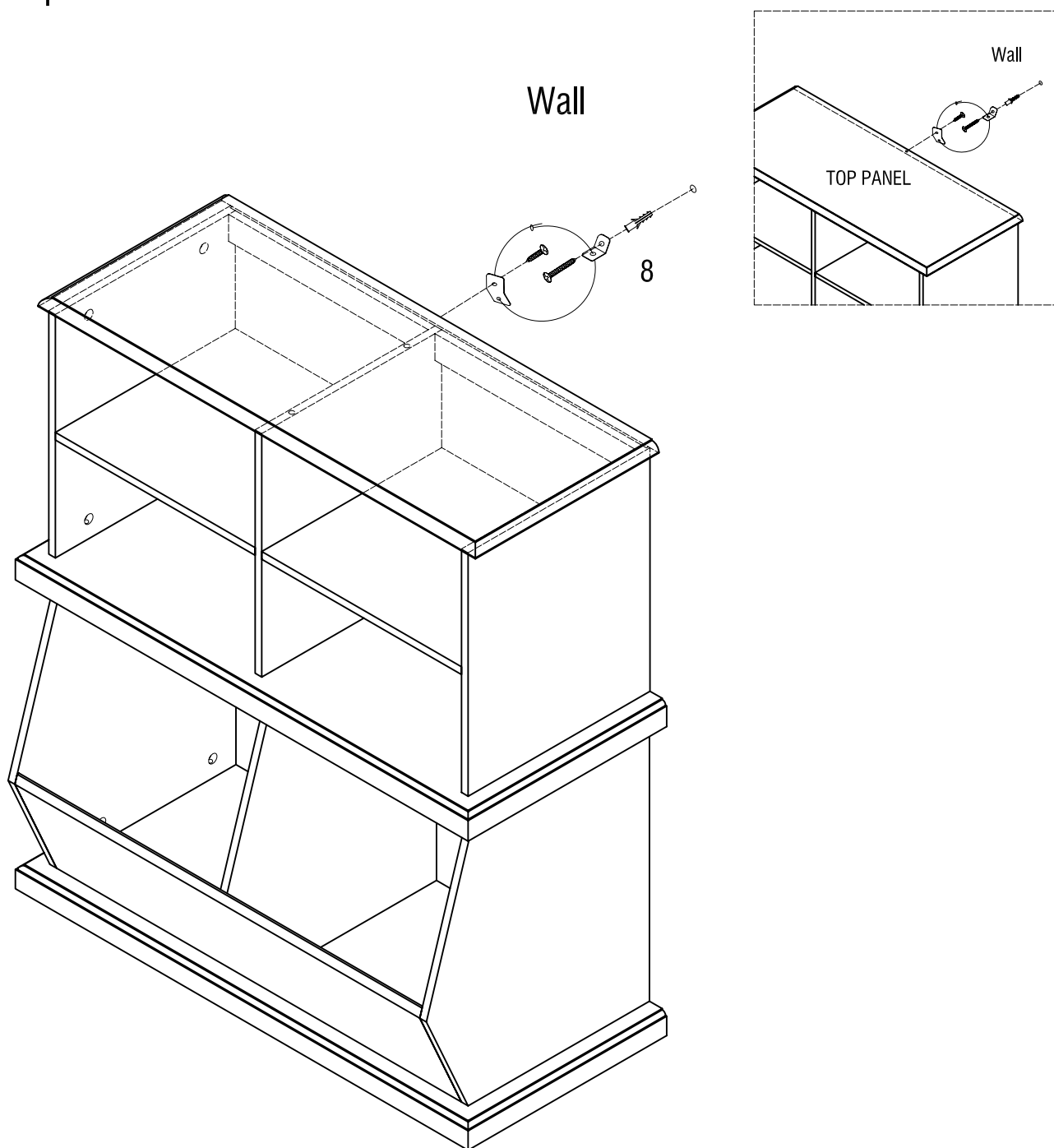


If stacking storage units together, please use anti-tip kit (see step 6) and mending plate (see step 5) for illustration.

Step 5 :



Step 6 :



Assembly Instruction for Anti-Tipping Kit (Parts# 8)

1. Attach one of the mounting brackets near the top back edge of the furniture piece and insert the shorter screw.
2. Mark location on the wall approximately 2" below the bracket mounted to the back of the furniture.
3. Drill a starter hole into a wall stud and insert plastic anchor, and gently tap the anchor until the flange of the anchor is flush with the wall.
4. Attach the second bracket by inserting the longer screw through the bracket and into the wall.
5. Place the furniture so the bracket on the back edge is in line with the bracket on the wall.
6. Lace the end of the nylon restraint strap down through each bracket. Bring both ends together and slide the beaded end until it snap locks into the keyhole slot.
7. Make sure the strap is securely laced and locked to the brackets.

Thank you for your Purchase.