

hayneedle



ITEM NAME: Belham Living Clermont All Weather Wicker Sofa with Coffee Table
SKU: HONG054-1



**For assistance with assembly, please contact customer service
1-888-880-4884**

1/5

PRE-ASSEMBLY PREPARATION:



DO NOT LET CHILDREN PLAY IN OR AROUND THE UNIT DUE TO THE POSSIBLE RISK OF FINGER ENTRAPMENT.

- Please read through the instructions before beginning assembly.
- Two adults are recommended for assembly.
- Clear out the space for assembly and lay out all of the parts based on the Parts List, extra room will allow you to easily determine if all the pieces are present.
- Save all packing materials until assembly is complete to avoid accidentally discarding smaller parts or hardware.
- Keep small parts and pieces away from children until fully assembled.
- Ensure that all bolts are securely tightened before use. It is recommended that you re-check all nuts and bolts occasionally and re-tighten as necessary.
- Do not swing in the chair beyond the parameter of the base as doing so may result in the chair tipping over and could result in injury.
- Use on even surfaces only.
- Improper use of this product or failure to use as directed may result in injury.

PANEL AND FITTINGS IDENTIFICATION:



Sofa Right Arm (A) Qty: 1



Sofa Left Arm (B) Qty: 1



Seat Panel (C) Qty: 1



Sofa Back Panel (D) Qty: 1



Table Leg (H) Qty: 2



Table Top (I) Qty: 1

HARDWARE LIST:



Short Bolt (E) Qty: 18



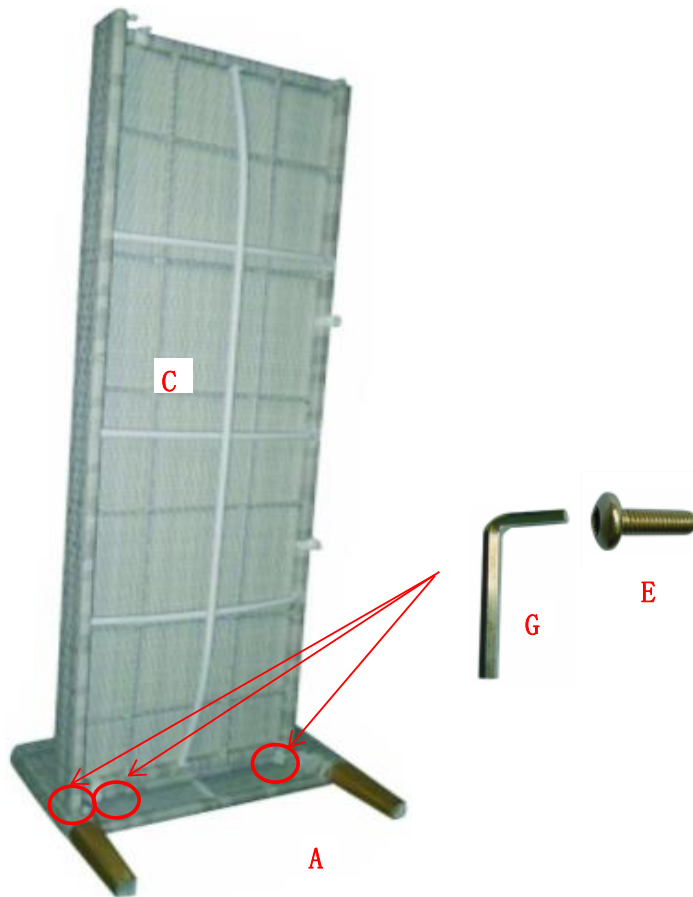
Long Bolt (F) Qty: 2



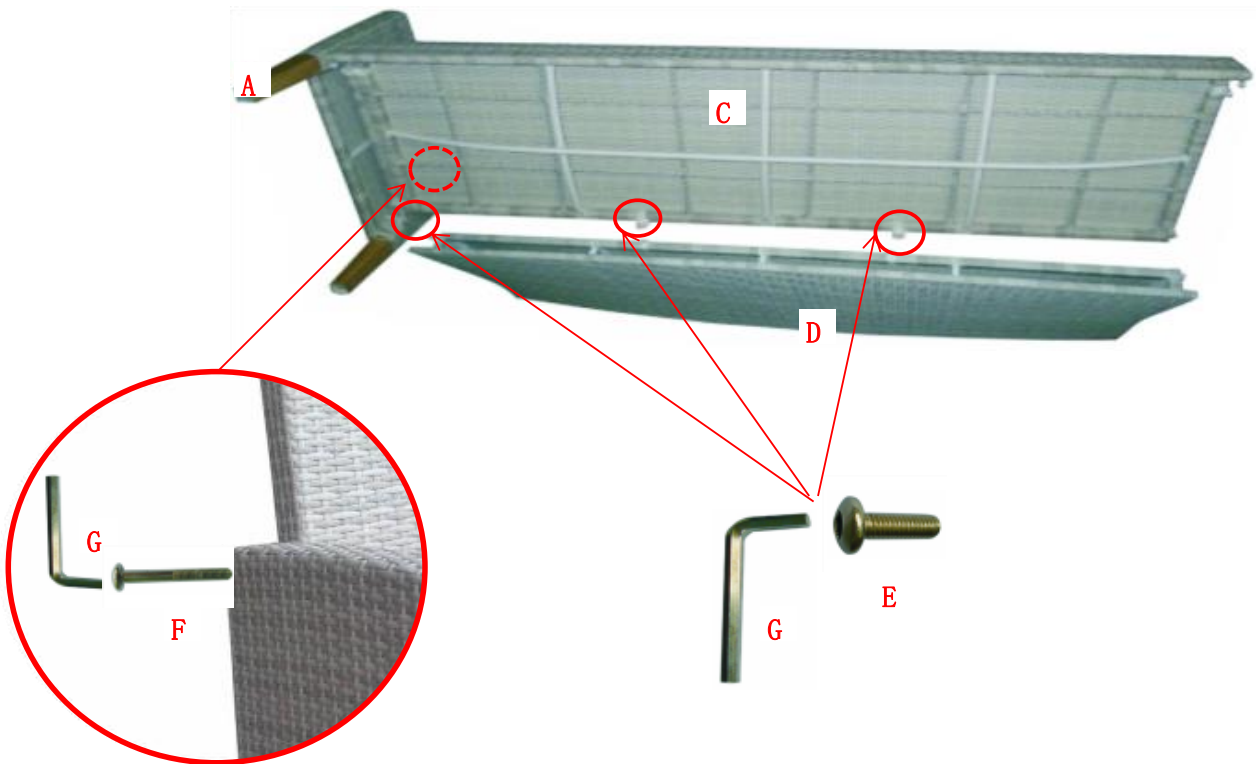
Allen Wrench (G) Qty: 1

STEP-BY-STEP ASSEMBLY:

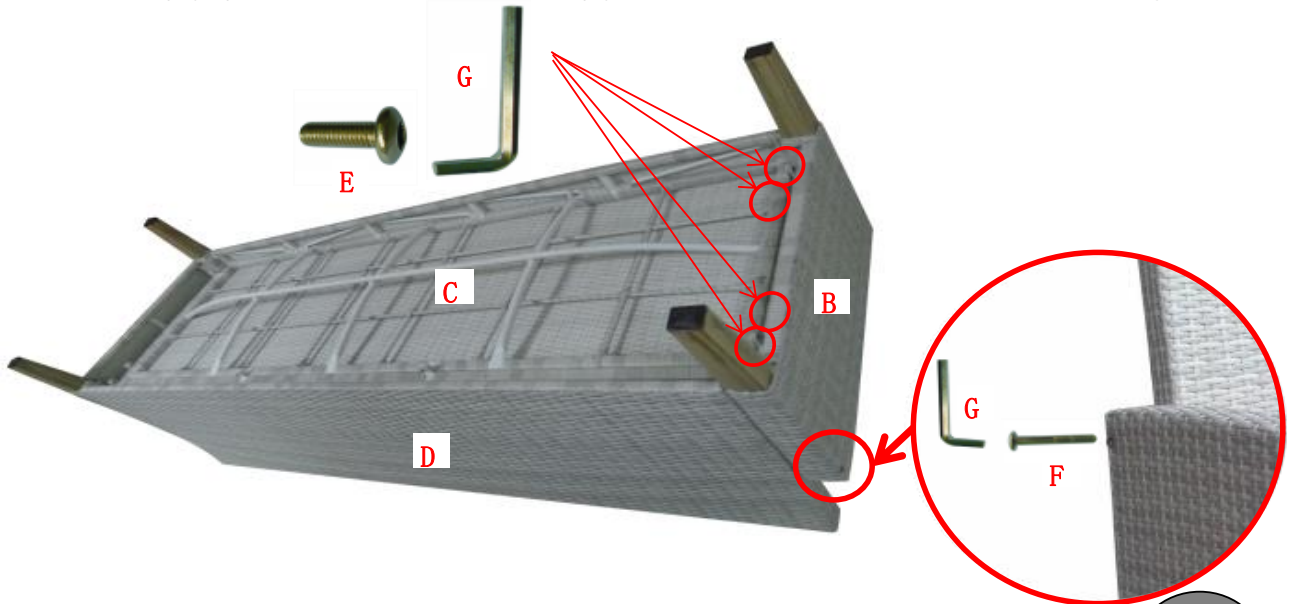
- 1 Step 1: Attach the right arm (A) to the seat panel (C) using three bolts (E). Tighten with allen wrench (G).



2 Step 2: Attach sofa back panel (D) to right arm (A) and seat panel (C) using one bolt (E) and one bolt (F). Tighten with allen wrench (G). (Note: when assemble bolt (F), the bolt should be attached from outside)



3 Step 3: Turn over chair with feet upwards. Attach left arm (B) to seat panel (C) and sofa back panel (D) using four bolts (E) and one bolt (F). Tighten with allen wrench (G). (Note: when assemble bolt (F), the bolt should be attached from outside)



4 Step 4: Put cushion onto sofa



5 Step 5: Attach right and left legs (H) to table top (I) using eight bolts (E). Tighten with allen wrench (G).

