







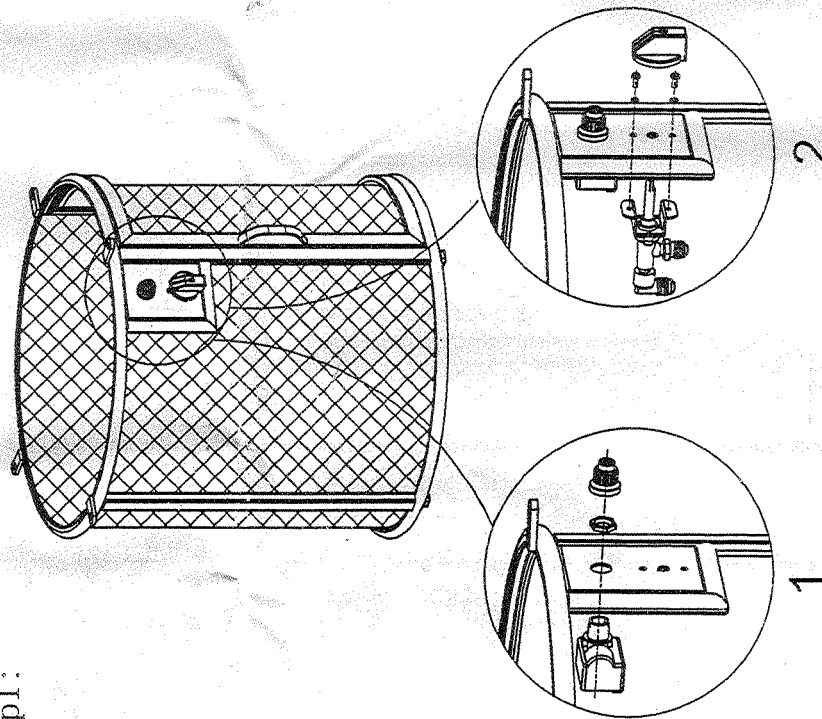
# ASSEMBLY INSTRUCTIONS

MODEL: SF32-BASE

Part list:

A		Bolt M6X20MM	4pcs	B		Cover	4pcs
C		Wrench	1pc	D		Plastic underlay	4pcs

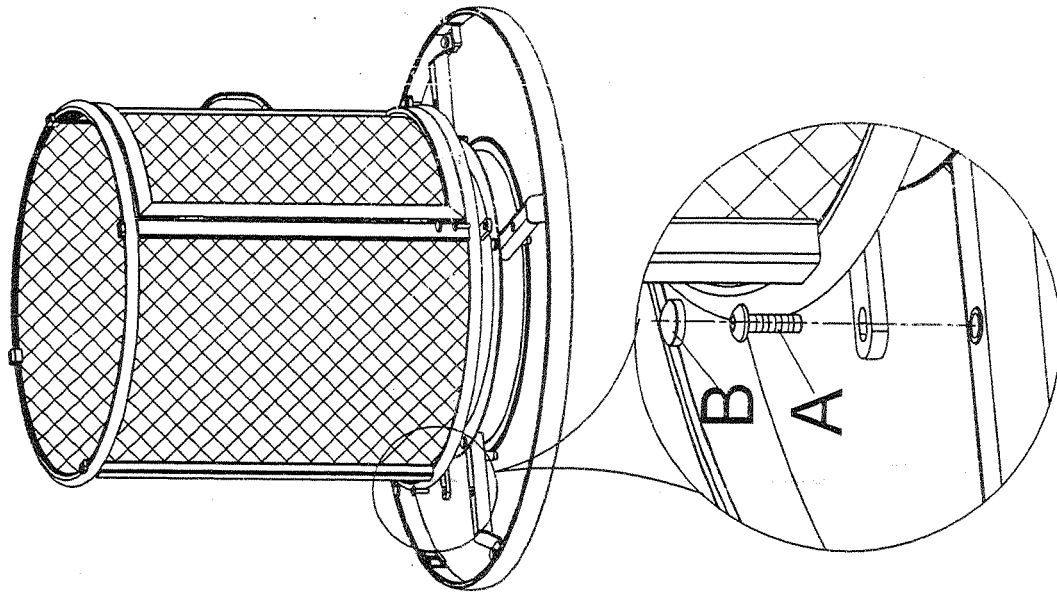
Step1:



# ASSEMBLY INSTRUCTIONS

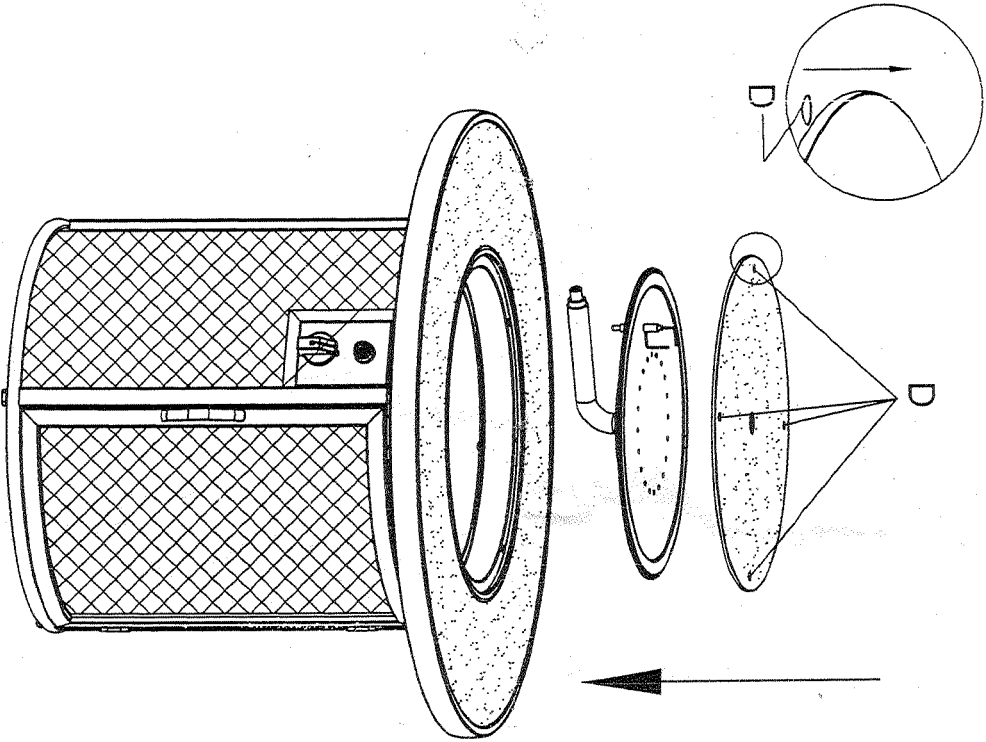
MODEL: SF32-BASE

Step 2:



ASSEMBLY INSTRUCTIONS  
MODEL: SF32-BASE

Step 3:



ASSEMBLY INSTRUCTIONS  
MODEL: SF32-BASE

Completed Assembly:

