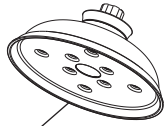


Classic Tub/Shower Trim Garniture pour Bain/Douche Classic

Adorno Classic para Bañera/Ducha

Tub/Shower

Models/Modelos/Modèles T17030, T17230, T17230-H2O, T17430 & T17430-H2O Series/Series/Seria



RP70173▲
Showerhead
Cabeza de Rogadora
Pomme de Douche



RP43381▲
Showerhead
Cabeza de Rogadora
Pomme de Douche



RP6023▲
Shower Arm
Brazo de la Rogadora
Tuyau de Pomme de Douche



RP6025▲†
Shower Flange
Pestaña de la Rogadora
Collerette

† Designates the accent color on split finish models.
† Designa el color para acentuar los modelos con acabados divididos.
† Désigne la couleur contrastante sur les modèles à deux finis.

RP28795▲
Escutcheon
Roseta
Rosace avec Orifice

RP196▲
Trim Screws/Atornillos de
Franja/Vis de Finition

RP12630▲
For Longer Screws
Para Tornillos Más Grandes
Pour Vis Plus Longues

★ RP46463
Cartridge Assembly
Cartucho
Cartouche

RP23336
O-Ring
Anillo "O"
Joint Torique

RP73643▲
Handle Assembly
Ensamble de la Manija
Poignée

RP32105
Screw/Tornillo/Vis
NOTE: Do NOT
overtighten screw.
NOTA: NO apriete
demasiado el
tornillo.
NOTE : NE serrez
PAS trop la vis.

RP50880▲†
Trim Sleeve
Manga de Franja
Manchon de Finition

RP32102
Rotational Limit Stop
Tope para Limitar
Butée Rotative

RP73642▲
Temperature Knob and Cover
Perilla de la Temperatura y Cubierta
Poignée de Réglage de Température

RP5833▲ (Metal/Metálico/Métal)
Tub Spout/Non Diverter
Tubo de Salida para Bañera/
Sin Desviador
Bec/Sans Dérivation

RP17453
RP17454▲ (Metal/Metálico/Métal)
Tub Spout/Pull-Down Diverter
Tubo de Salida para Bañera/
Desviador de Halar
Bec/Avec Dérivation sur Embout

▲Specify finish / Especificque el Acabado / Précisez le fini

T17030, T17130, T17230, T17230-H2O, T17430, T17430-H2O

51975 Rev. K 8-21-12

*Refer to page 2 for more information. / Consulte con la página 2 para más información. / Pour obtenir de plus amples renseignements, reportez-vous à la page 2.

Tub/showers

Cartridge Summary Reference Sheet

Units shipped in March 2006 and after.

MultiChoice® 13/14



Order RP46074 to Replace Cartridge.

Units shipped before March 2006.

Old Monitor® 1300/1400



Order RP19804 to Replace Cartridge.

Replacement cartridges shipped in July 2006 and after.

New Monitor® 1300/1400



Order RP19804 to Replace Cartridge.

17

Grey Upper Cap



Order RP46463 to Replace Cartridge.

1700

White Upper Cap

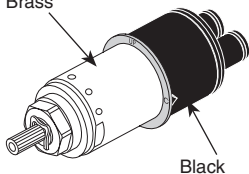


Order RP32104 to Replace Cartridge.

NA

17T

Brass



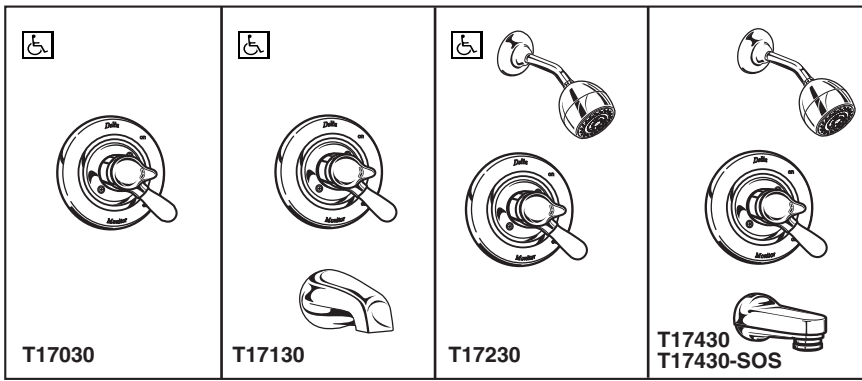
Order RP47201 to Replace Cartridge.

NA
Will Not Fit

NA



TUB AND SHOWER FAUCET TRIM

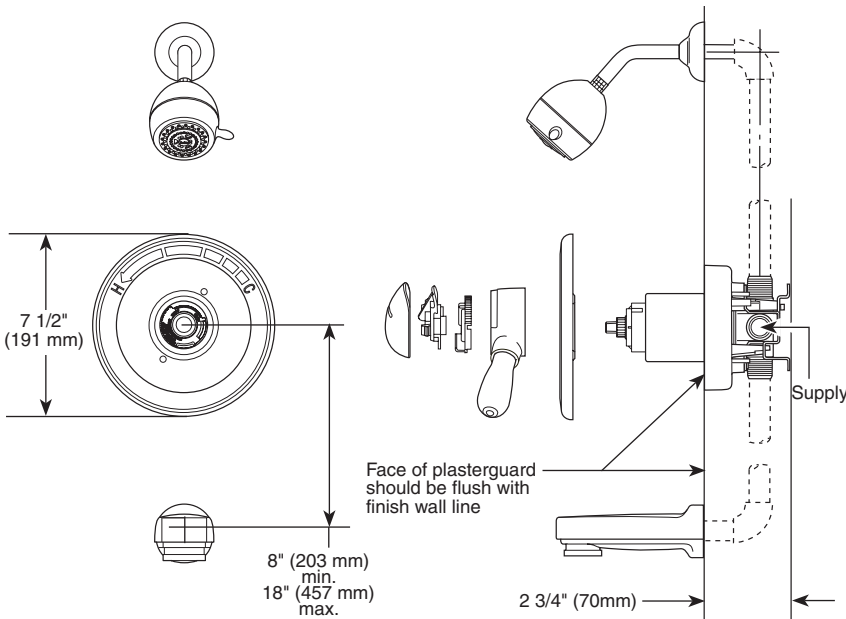


- Innovations® Collection
- Valve Only (T17030 Series)
- Tub Only (T17130 Series)
- Shower Only (T17230 Series)
- Tub/Shower (T17430 Series)

Submitted Model No.: _____
 Specific Features: _____

STANDARD SPECIFICATIONS:

- Monitor® 17 Series pressure balanced bath mixing valve with Scald-Guard®.
- Maintains a balanced pressure of hot and cold water even when a valve is turned on or off elsewhere in the system.
- For use with MultiChoice™ Universal rough valve body. (R10000 Series)
- Back-to-back installation capability.
- Solid brass fabricated body.
- Lever volume control handle; temperature adjustment dial.
- Field adjustable to limit handle rotation into hot water zone.
- Maximum dial rotation adjustable between 90° and 180°.
- All parts replaceable from the front of the valve.
- Models with "SOS" suffix supplied with slip-on spout for 1/2" C.W.T.



WARRANTY

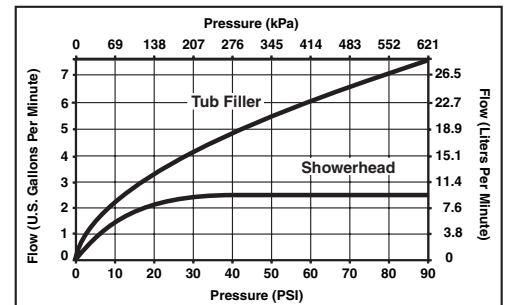
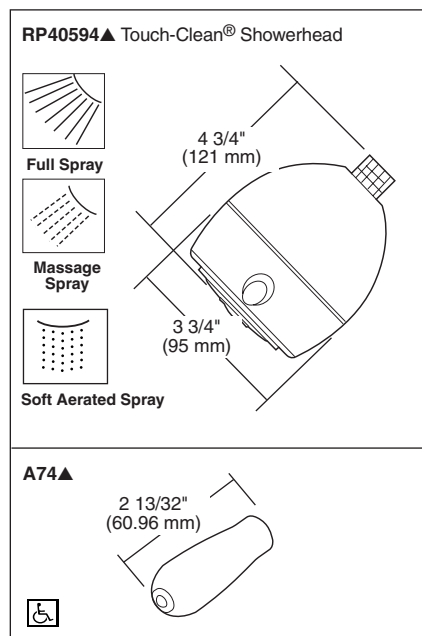
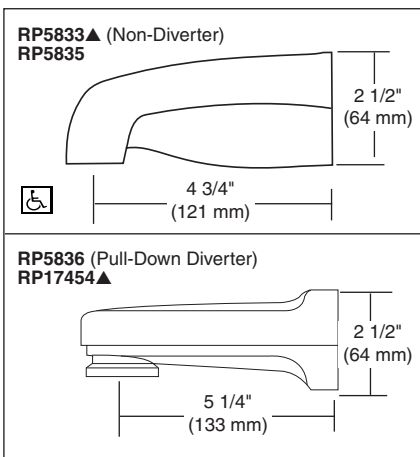
- Lifetime Faucet and Finish Limited Warranty to the original consumer purchaser to be free from defects in material and workmanship.
- 5 Year Limited Warranty for usage in all industrial, commercial and business applications.

COMPLIES WITH:

- ASME A112.18.1 / CSA B125.1
- ASSE 1016
- Indicates ADA compliance to ICC/ANSI A117.1



▲ = Specify Finish



Delta reserves the right (1) to make changes in specifications and materials, and (2) to change or discontinue models, both without notice or obligation. Dimensions are for reference only. See current full-line price book or www.specselect.com for finish options and product availability.

55 E. 111th Street, Indianapolis, Indiana 46280
 395 Matheson Blvd. E., Mississauga, ON L4Z 2H2
 © 2008 Masco Corporation of Indiana