

# KITCHEN FAUCETS

- Windemere® Bath Collection
- Two Handle, Deck Mount
- 4 Hole Sink Applications

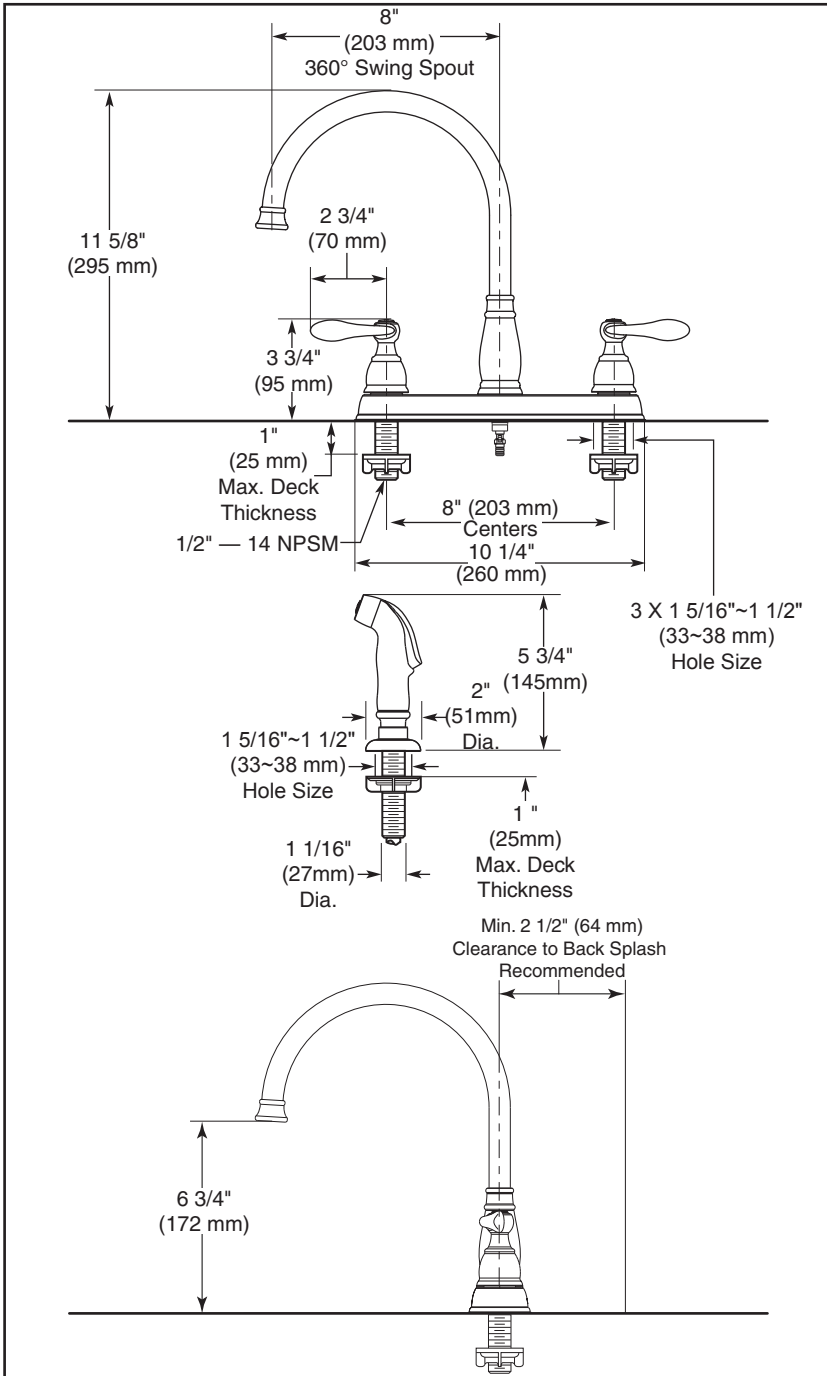
Submitted Model No.: \_\_\_\_\_  
 Specific Features: \_\_\_\_\_

## STANDARD SPECIFICATIONS

- 8" (203 mm) centers.
- 8" (203 mm) long, 11 5/8" (295 mm) high spout swings 360°.
- Metal lever handles with 1/4" turn stops.
- Hot and cold stems are interchangeable.
- Control mechanism is a rotating cylinder type with stainless steel plate and 90° rotating, with replaceable non-metallic seats.
- 1/2" -14 NPSM threaded male inlet shanks.
- Model with spray attachment has antisiphon device as integral part of valve body.
- Min. 2 1/2" (64 mm) clearance to back splash recommended

## WARRANTY

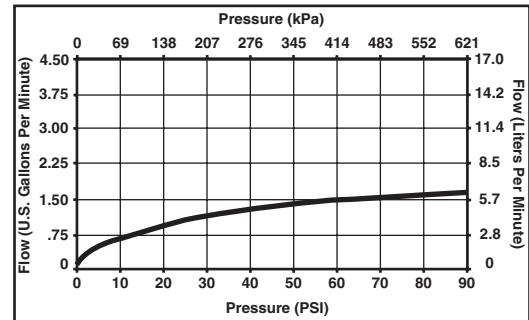
- Lifetime Faucet and Finish Limited Warranty to the Original consumer purchaser to be free from defects in material and workmanship.
- 5 Year Limited Warranty for usage in all Industrial, Commercial and business applications.



## COMPLIES WITH

- ASME A112.18.1/CSA B125.1
- Indicates compliance to ICC/ANSI A117.1

Verified compliant with 0.25% weighted average Pb content regulations.



55 E. 111th Street, Indianapolis, Indiana 46280  
 350 South Edgeware Road, St. Thomas, ON N5P 4L1  
 © 2011 Masco Corporation of Indiana

▲ Designate proper finish suffix

Delta reserves the right (1) to make changes in specifications and materials, and (2) to change or discontinue models, both without notice or obligation. Dimensions are for reference only. See full-line price book or www.specselect.com for finish options and product availability.