

MASON 10" WALL LIGHT - GALVANIZED

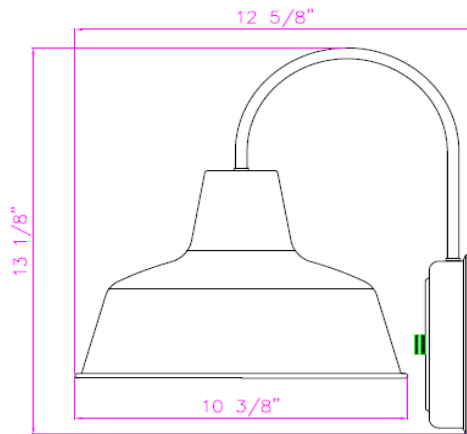


Specifications

Material Construction:	Formed Steel
Lens:	Metal Shade
Lamp Type & Wattage:	One 60W, medium base incandescent lamps
Mounting:	Wall mounted
Finish:	Galvanized
Voltage:	120V
Weight:	1.65 lbs



Dimensions



Warranty & Compliances

Warranty	10 Year Limited Warranty
UL	UL/cUL; Suitable for wet locations
ADA	N/A
EnergyStar	N/A



Product Code

MASON 10" WALL LIGHT - GALVANIZED 579383

Type:
Job:
Order Code:
Approvals:

Design House reserves the right to make changes in materials, specifications & models at any time. Design House also reserves the right to discontinue product without notice or obligation.