

Oakmont 4" Double Handle Lavatory Faucet

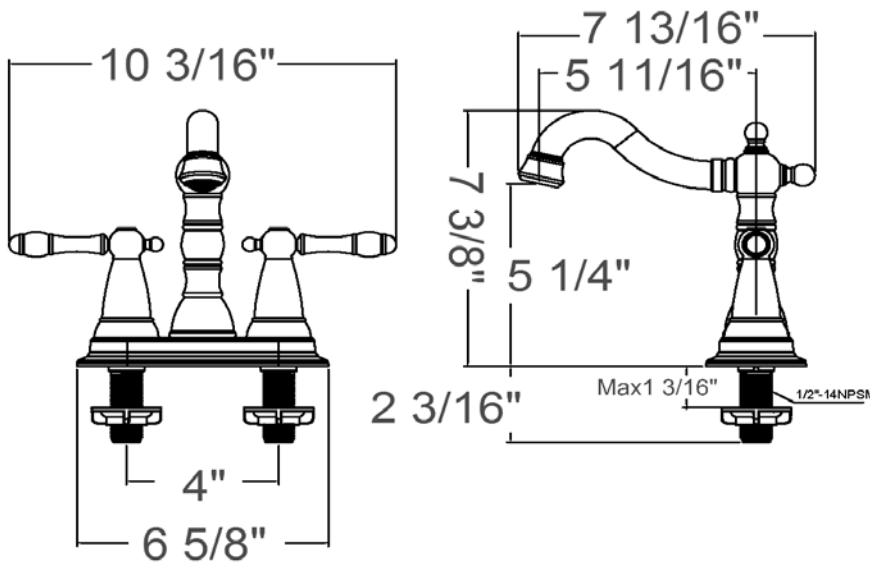


Specifications

Handle	Zinc handle, 1/4 quarter turn stop
Body	Zinc
Cartridge	Ceramic disc cartridge
Popup	Brass popup included
Waterway	Hybrid Waterway
Max Waterflow	1.5 GPM@ 60 PSI
Spout Reach	5 11/16"
Spout Height	5 1/4"
Mouting Holes	3 Holes
Mouting Center	4"
Max Deck Thickness	1 3/16"



Dimensions



Warranty & Compliances

Warranty	Lifetime Limited Warranty, Lifetime Limited Finish Warranty
IAPMO/UPC	CUPC compliant
ASME	ASME A112.18.1/ CSA B125.1
NSF/ANSI	NSF/ANSI 61
Lead Free	Compliance with Section 116875 of the California Health & Safety Code.
WaterSense®	Compliance with EPA WaterSense® High Efficiency Lavatory Faucet Specification
ADA	Compliant



NSF / ANSI 61



Order Codes & Finishes/Colors

Oil Rubbed Bronze (US10B)	523282	
Satin Nickel (US15)	523290	

Type:

Job:

Order Code:

Approvals:

Design House reserves the right to make changes in materials, specifications & models at any time. Design House also reserves the right to discontinue product without notice or obligation.