



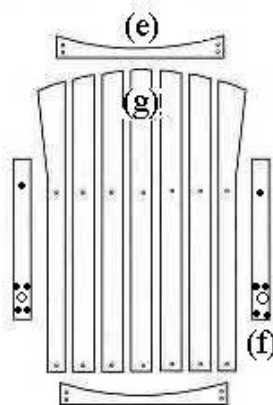
Rocker Instructions

(RC22U unassembled kit)

Tools Required: #2 Philips Drive, #2 Square Drive, Wood Glue.
(its recommended wood glue be used on all dowel joints)

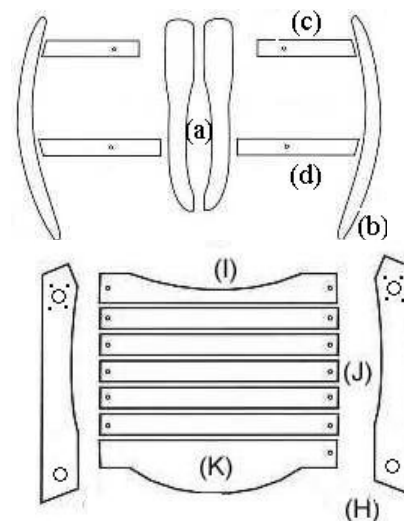
HARDWARE

- 1 ¾" Screw...46
- 2 ½" Screw...12
- 4" Screw...4
- 3 ½" Carriage Bolt...6
- Hex Nut...6
- Washer...6
- Dowel... 8



PARTS:

- (a) 2 arms
- (b) 2 rockers
- (c) 2 front leg
- (d) 2 back leg
- (e) 2 back supports
- (f) 2 struts
- (g) 7 back slats
- (h) 2 sides
- (i) 1 front scallop slat
- (j) 5 seat slats
- (k) 1 rear cove slat

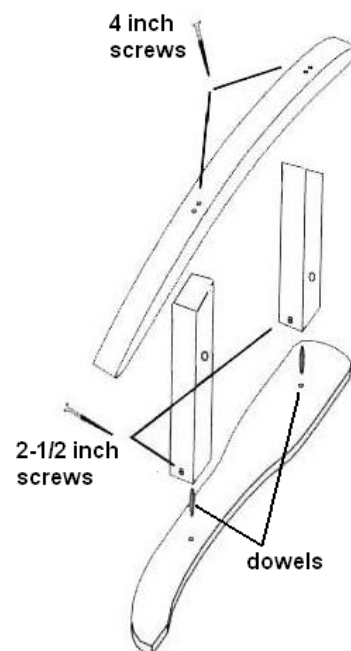


Step 1. Layout Parts

- Layout all parts as seen in the parts diagrams above.

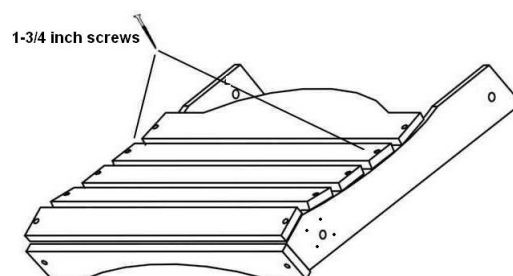
Step 2. Build Rocker/Arm Assembly

- Position short leg near front of arm and long leg near rear of arm. Attach the legs to the arms using dowels and 2-1/2 inch screws.
- Position rocker over leg assembly so that front (shorter) leg is nearest to front of rocker – attach using 4 inch screws.



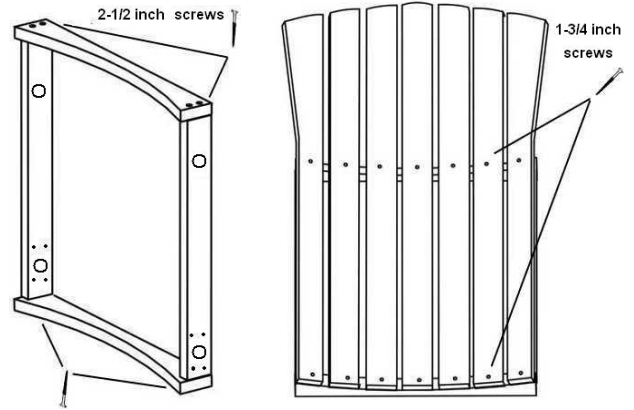
Step 3. Build Seat Assembly

- Place sides approximately 21-1/4 inches apart.
- Attach front scallop using 1 ¾ inch screws.
- Place a seat slat so it overlaps front scallop and attach.
- Attach remaining seat slats + 1 rear cove slat with 1 ¾ inch screws. Leave no spacing between slats - fit tight together.



Step 4. Build Back Assembly

- Set struts between back supports - position struts so that larger bolt-hole is near the bottom. Attach back supports to struts using 2 ½ inch screws.
- Using 1 ¾" screws attach outside slats first - then attach center slat.
- Evenly space remaining slats and attach with screws.



Step 5. Final Assembly

- Place seat assembly on its side.
- Align bolt-holes on back assembly between bolt-holes on rear seat.
- Position rocker/arm assembly so bolt-holes in both legs align with bolt-holes on side of seat.
- Attach legs to seat using carriage bolts, washers and nuts.
- Using 1 ¾ inch screws finish attaching front seat to legs from the underside of seat.
- Set rocker upright, adjust back to align with rear arms and attach rear arm with carriage bolts, washers and hex nuts.

