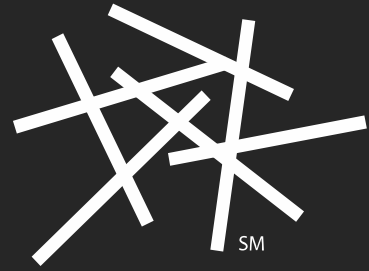
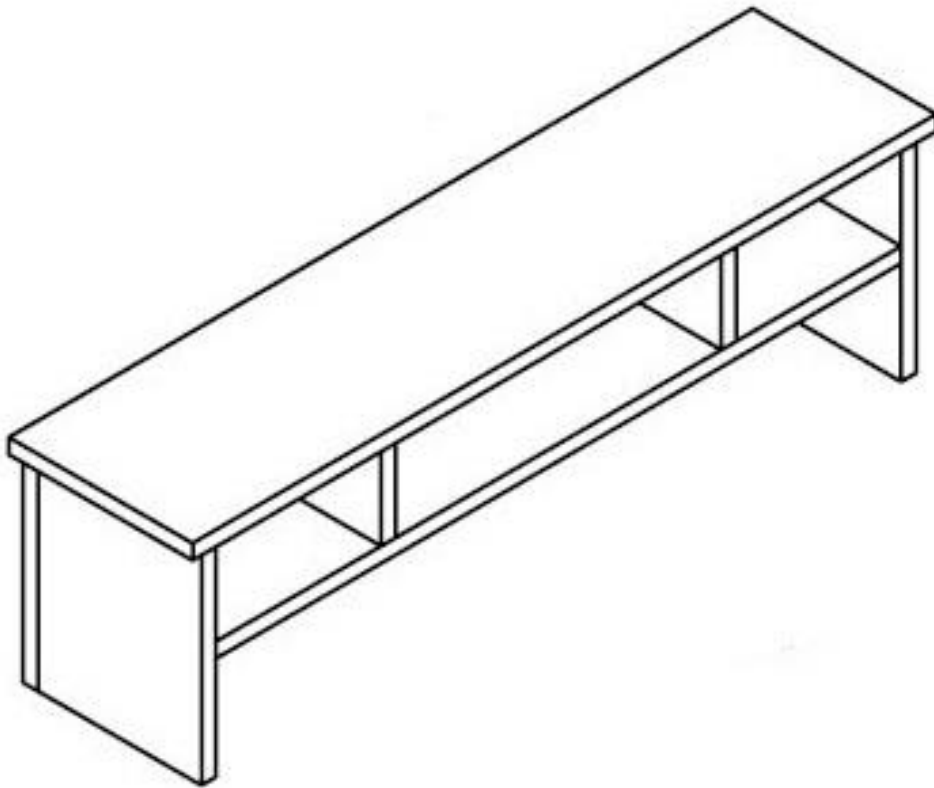


hayneedle



ITEM NAME: Corner Laptop Hutch

SKU: ALZ984-1, ALZ985-1, ALZ986-1



**For assistance with assembly, please contact
Hayneedle Customer Care Center
1-888-880-4884**


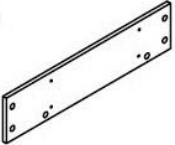
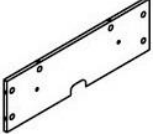

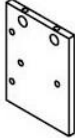

Pre-assembly preparation:



THIS PACKAGE MAY CONTAIN SMALL ITEMS WHICH SHOULD BE KEPT AWAY FROM CHILDREN




- Please check that all contents of this package before attempting to assemble the product.
- Read this Assembly instructions in full before you begin to assemble.
- For ease of assembly, two people are recommended.
- Please use CAUTION AND CARE WHEN LIFTING the product to avoid personal injury and (or) damage to the product.
- A Philip Screwdriver is required to complete the assembly that is not included with the product.
- The hardware packet contains SMALL ITEMS which should be KEPT AWAY FROM CHILDREN.

PANEL AND FITTINGS IDENTIFICATION:

1 	2 	3 	4 	5 
Plate 2 PCS	Middle Panel 1 PC	Backboard 1 PC	Left Side Panel 1 PC	Right Side Panel 1 PC
6 				
Top Panel 1 PC				

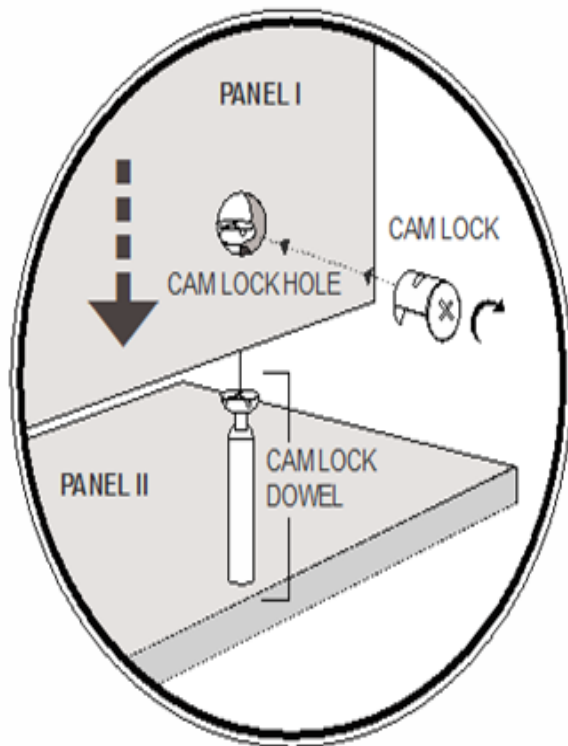
HARDWARE LIST:

Scaled to Actual Size

A 	B 	C 
Cam lock Ø15*12mm 20 PCS	Cam Dowel Ø6*35mm 20 PCS	Screw Ø3*30mm 4 PCS

CAM LOCK INSTRUCTION

This product is assembled with a cam lock set



STEP 1: Insert Cam Lock into the cam lock hold of Panel I. Cam lock arrow should be pointing towards the cam lock dowel insertion hole.

STEP 2: Insert the cam lock dowel into Panel II.

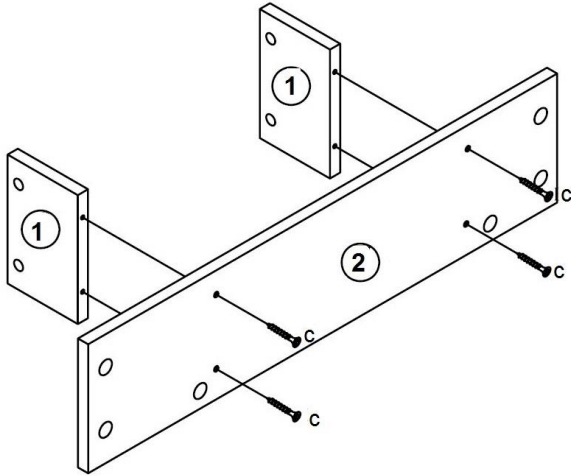
STEP 3: Connect Panel I and Panel II by inserting the cam lock dowel through the hole to which the cam lock arrow is pointing.

STEP 4: Press panel I and Panel II together.

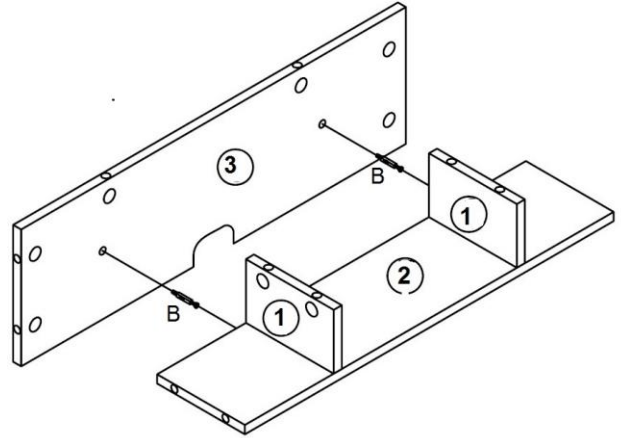
STEP 5: Lock panels together by turning cam lock clockwise using a screwdriver. The cam lock and dowel should make a click sound, indicating they are locked together.

STEP-BY-STEP ASSEMBLY:

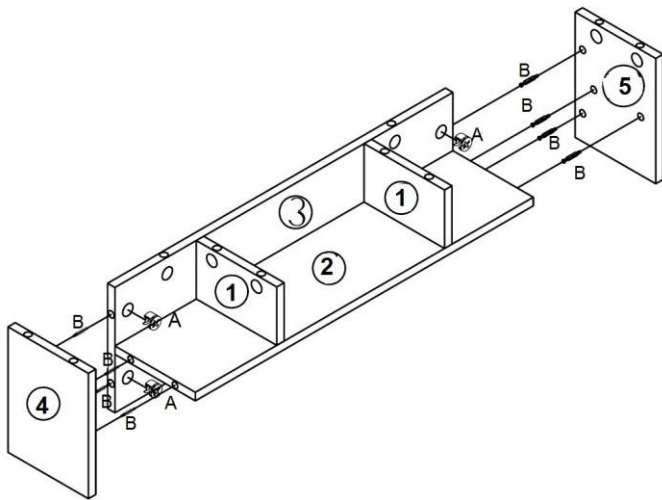
1 STEP 1: Attach 2pcs Plate (1) to Middle Panel (2) with 4pcs Screw(C) by using a Screwdriver.



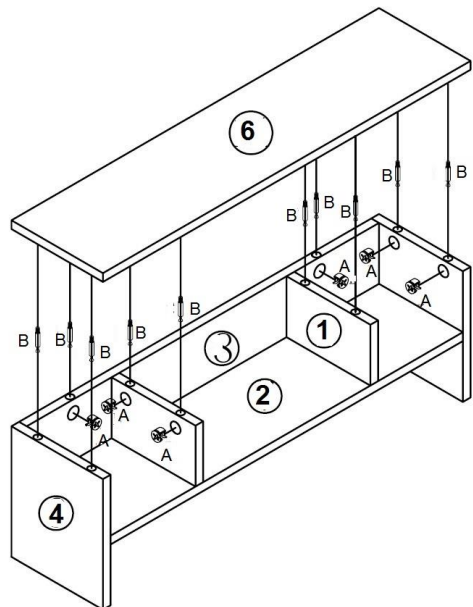
2 STEP 2: Attach Middle Panel (2) to Backboard (3) with 2pcs Camlock Dowel (B) and 2pcs Cam Lock (A) by using a Screwdriver.



3 STEP 3: Connect Left Side Panel (4) and Right Side Panel (5) to part (2)(3) with 8pcs Camlock Dowel (B) and 8pcs Cam Lock (A) by using a Screwdriver.



4 STEP 4: Cover Top Panel (6) with 10pcs Camlock Dowel (B) and 10pcs Cam Lock (A) by using a Screwdriver. Tighten all cam locks and Level it up





**For assistance with assembly, please contact customer service
1-888-880-4884**