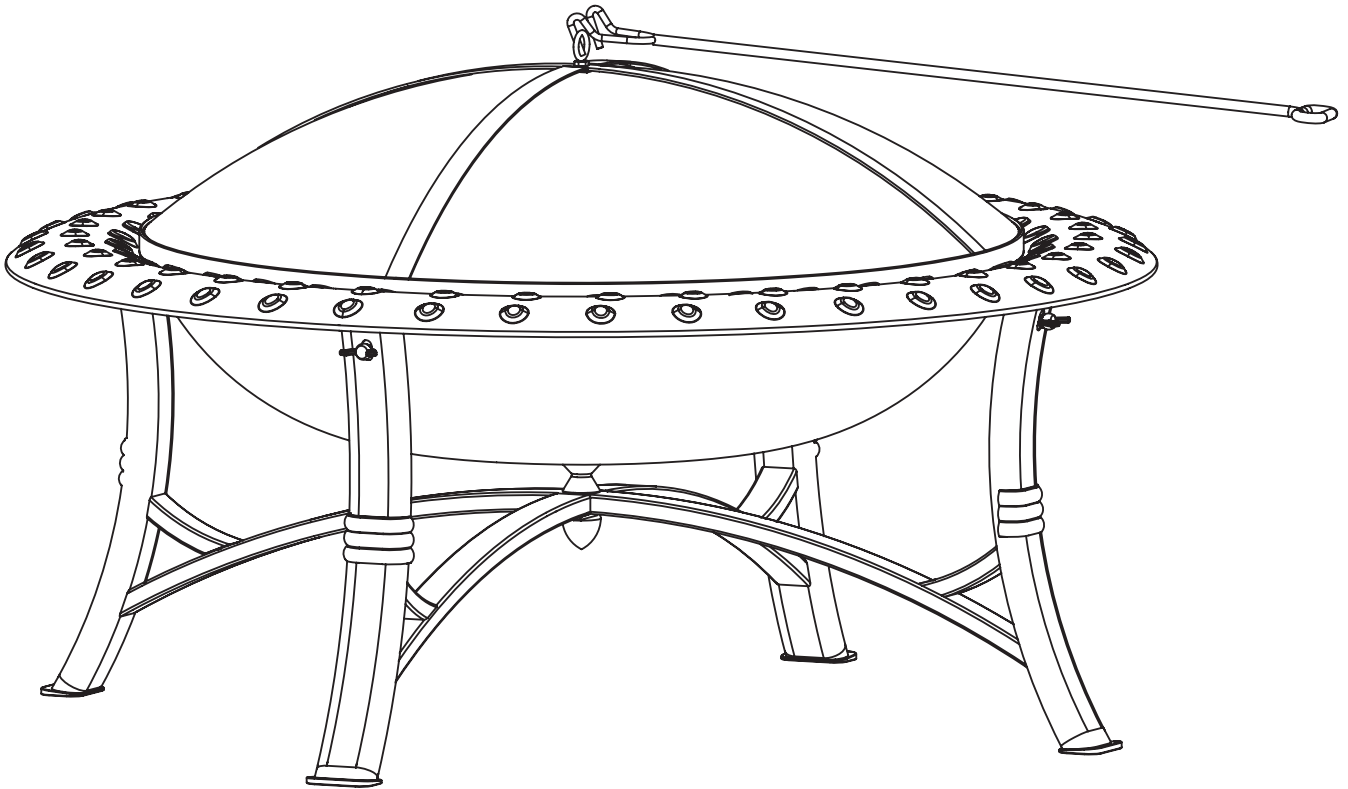




## 35 IN. STEEL ROMAN FIRE PIT

Item #: 60857



Distributed by:  
Well Traveled Living  
P.O. Box 4, Amelia Island, FL 32035  
email: [cservice@welltraveled.net](mailto:cservice@welltraveled.net)  
[www.wtliving.com](http://www.wtliving.com)

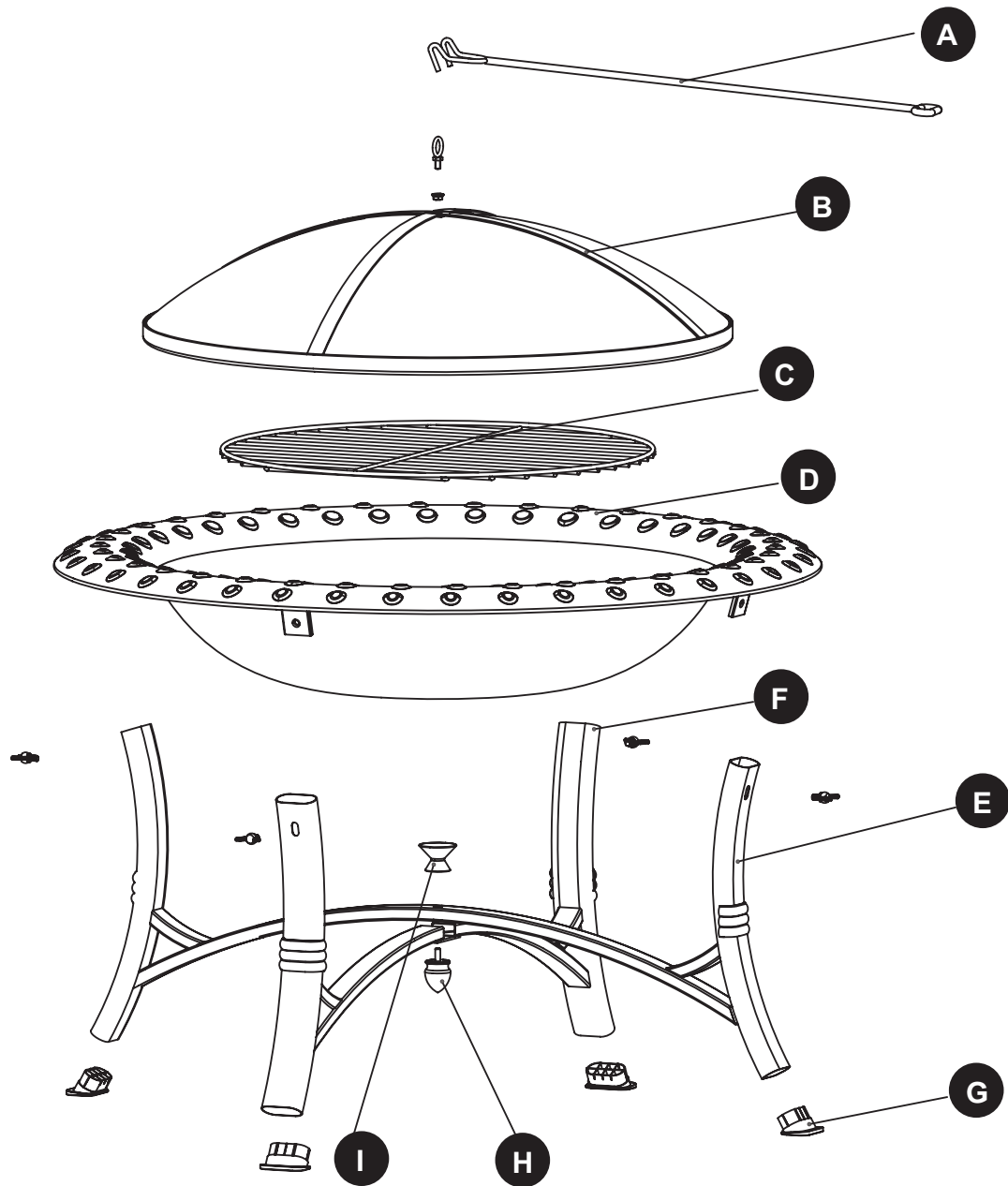


**WELLTRAVELED**  
**L I V I N G**



Questions, problems, missing parts? Call our customer service hotline at  
1-866-985-7877, 9 a.m. - 6 p.m., EST, Monday - Friday.  
E-mail : [cservice@welltraveled.net](mailto:cservice@welltraveled.net)

## PACKAGE CONTENTS



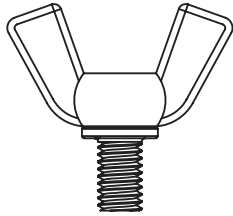
PART	DESCRIPTION	QUANTITY
A	Screen tool	1
B	Screen	1
C	Log grate	1
D	Fire bowl assembly	1
E	Upper leg assembly	1

PART	DESCRIPTION	QUANTITY
F	Lower leg assembly	1
G	Pad	4
H	Decorative screw	1
I	Decorative nut	1

## HARDWARE CONTENTS

---

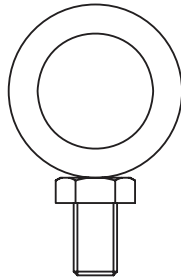
AA



M6x10  
Wing Screw

Qty. 4

BB



M6  
Ring Screw

Qty. 1

CC



M6  
Flange Nut

Qty. 1



## SAFETY INFORMATION

---

### WARNING: TO AVOID INJURY

- FOR OUTDOOR USE ONLY
- Do not use the fire pit indoors. Lack of ventilation due to carbon monoxide fumes can cause death.
- Do not use gasoline or kerosene to start fires in the fire pit. Keep all flammable liquids away from the fire pit.
- This fire pit is designed to burn charcoal and untreated wood only.
- Do not use under or on combustible structures/surfaces including wooden decks.
- Use protective gloves and long-handled tools with this fire pit.
- Dispose of packaging materials properly.
- Keep children away from hot fire pit.
- Fire pit remains very hot for a period of time after using.
- Be sure fire pit is cool before attempting to move it.
- Do not burn charcoal over 1.6 lbs. or over 3 lbs. of untreated wood at one time.
- The handle of the tools may become hot during and after use. The fire pit should not be used on a combustible surface (including wood decks), and should be placed no closer than 24 in. from walls during use.
- Do not touch the fire pit during use or until the fire is completely out and cooled down.

CAUTION: It is not recommended to use this fire pit (fire place) on a wooden or other combustible surface or any surface that is not entirely resistant to high heat. However, if you intend to use this item on a wooden deck other combustible surface or any surface that is not entirely resistant to high heat, you must use a non-flammable and heat resistant material such as concrete pavers, brick or stone between the fire pit (fire place) and the surface.

### PREPARATION

---

Before beginning assembly of product, make sure all parts are present. Compare parts with package contents list and hardware contents above. If any part is missing or damaged, do not attempt to assemble the product. Contact customer service for replacement parts.

**Estimated Assembly Time: 15 minutes**

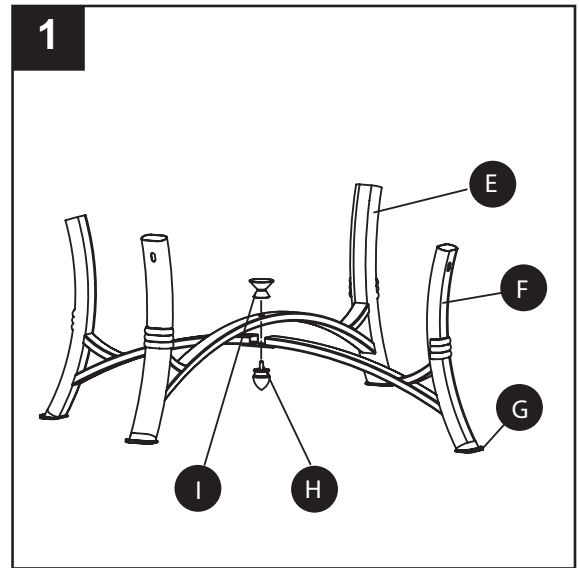
NO tools required for assembly.

Assemble the fire pit on a non-abrasive surface



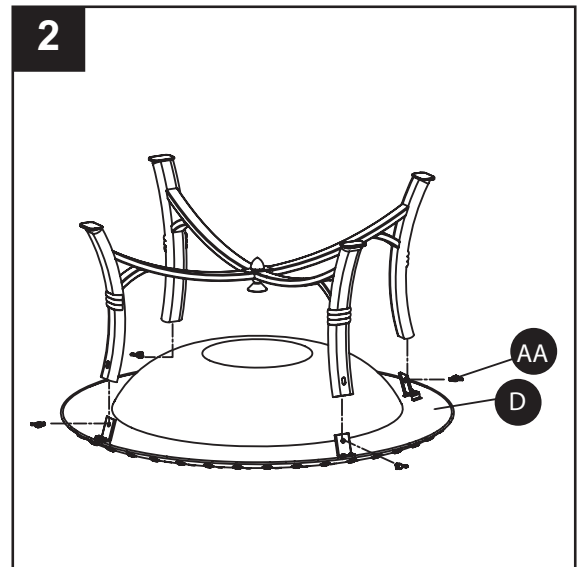
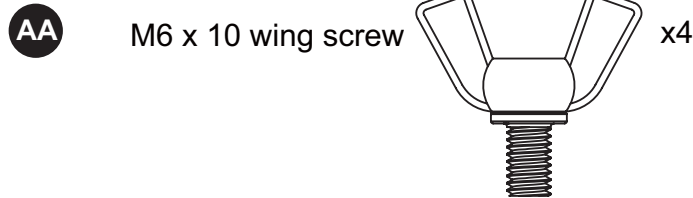
## ASSEMBLY INSTRUCTIONS

1. Connect upper leg assembly (E) and lower leg assembly (F) with decorative screw (H) and decorative nut (I). Then attach four pads (G) to legs. Fig. 1



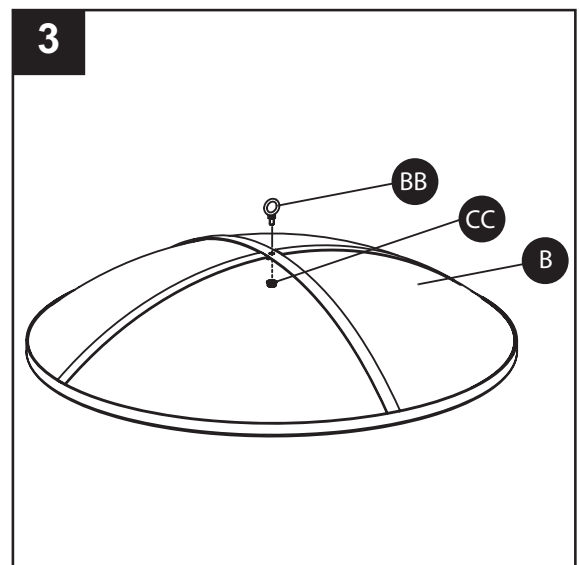
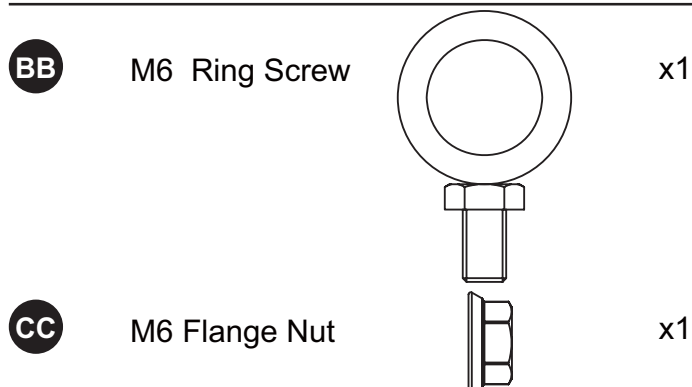
2. Place the fire bowl assembly (D) upside down, and fix leg assembly to fire bowl with four M6 x 10 wing screws (AA). Fig. 2

### Hardware Used



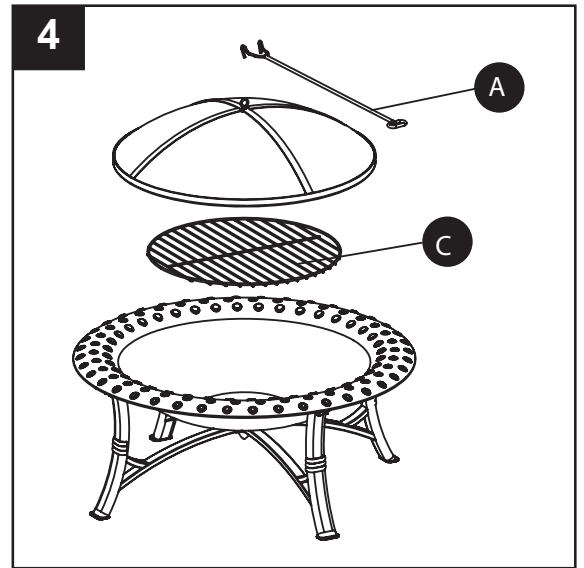
3. Attach the M6 ring screw (BB) to the top of the screen (B) with an M6 flange nut (CC). Fig. 3

### Hardware Used



## ASSEMBLY INSTRUCTIONS

4. Place all parts onto the fire pit in the order as shown in Fig. 4





## CARE AND MAINTENANCE

---

### Inspecting

Inspect this fire pit on a regular basis to ensure product safety and longer product life.

DO NOT attempt to inspect this outdoor fire pit until the fire is COMPLETELY out and cooled down.

- Check handles to make sure they are secure.
- Check components for any signs of damage or rust.
- If any component is damaged, do not operate until repairs are made.

### Cleaning

Clean this outdoor fire pit on a regular basis to promote safer use and longer product life.

Note: After repeated use, the finish may discolor slightly.

DO NOT attempt to clean this outdoor fire pit until the fire is COMPLETELY out and cooled down.

DO NOT use oven cleaner or abrasive cleaners as they will damage this product.

DO NOT clean any part of this outdoor firepit in a self-cleaning oven as it may damage this finish.

- Wipe exterior surfaces with a mild dishwashing detergent or baking soda.
- For stubborn surfaces use a citrus-based degreaser and a nylon scrubbing brush.
- Rinse clean with water.
- Remove built-up creosote from components with a chimney cleaning product.

### Storage

DO NOT move or store this outdoor fire pit until the fire is COMPLETELY out and cooled down.

- Once the fire is out, coals are cold and outdoor fire pit is cool to touch, remove ashes and properly dispose.
- Covering your fire pit with a durable PVC cover designed to fit this unit will maximize product life.
- Store assembled in a location away from children and pets.

Note: If you do not use a cover, store this outdoor fire pit in a dry location to maximize product life.



**Distributed By:**

Well Traveled Living  
716 S 8<sup>th</sup> Street  
Amelia Island, FL 32034  
Toll Free: 866-WTL-SUPP



Web: [www.wtliving.com](http://www.wtliving.com)  
Email: [cservice@welltraveled.net](mailto:cservice@welltraveled.net)

**1 YEAR LIMITED WARRANTY – Customers in the Continental US**

All components are warranted for a period of 1 year after date of purchase by the original owner against defects in materials and workmanship under normal use. This warranty does NOT cover normal wear and weathering, assembly and/or maintenance OR use in a commercial application. At Well Traveled Living's sole discretion, products under warranty will be repaired and/or replaced at no charge to the customer. Any returns sent back to Well Traveled Living must be sent via prepaid freight and in the original retail packaging.

For warranty service contact Well Traveled Living at the address, phone numbers or internet site and email listed in this owner's manual. Be sure to have your sales receipt, date of purchase and catalogue/model numbers available when calling. All warranty service will be coordinated by the Well Traveled Living's, Amelia Island, Florida service center.

This warranty is extended only to the original purchaser. Proof of purchase will be required before warranty service is rendered. The sales receipt is the only valid proof of purchase. This warranty only covers failures due to defects in materials or workmanship which occur during normal use. Failures and/or damage which result from accident, negligence, misuse, abuse, neglect, mishandling, alteration or modification, failure to maintain, improper assembly or maintenance, service by unauthorized agency or use of unauthorized components or damage that is attributable to acts of God are NOT covered.

**\*\*\*THERE ARE NO EXPRESS WARRANTIES EXCEPT AS LISTED ABOVE\*\*\***

**\*\*\*PURCHASER ASSUMES ALL RISKS IN THE ASSEMBLY AND OPERATION OF THIS UNIT\*\*\***

**\*\*\*FAILURE TO FOLLOW WARNINGS AND OPERATIONAL INSTRUCTIONS CONTAINED IN THIS MANUAL CAN RESULT IN SEVERE PROPERTY DAMAGE AND/OR PERSONAL INJURY\*\*\***

**IN NO EVENT WILL WELL TRAVELED LIVING, OR ITS DIRECTORS, OFFICERS OR AGENTS BE LIABLE TO THE PURCHASER OR ANY THIRD PARTY, WHETHER IN CONTRACT, IN TORT, OR ON ANY OTHER BASIS, FOR ANY INDIRECT, SPECIAL, PUNITIVE, EXEMPLARY, CONSEQUENTIAL, OR INCIDENTAL LOSS, COST, OR DAMAGE ARISING OUT OF OR IN CONNECTION WITH THE SALE, MAINTENANCE, USE, OR INABILITY TO USE THE PRODUCT, EVEN IF WELL TRAVELED LIVING OR ITS DIRECTORS, OFFICERS OR AGENTS HAVE BEEN ADVISED OF THE POSSIBILITY OF SUCH LOSSES, COSTS OR DAMAGES, OR IF SUCH LOSSES, COSTS, OR DAMAGES ARE FORESEEABLE. IN NO EVENT WILL WELL TRAVELED LIVING, OR ITS OFFICERS, DIRECTORS, OR AGENTS BE LIABLE FOR ANY DIRECT LOSSES, COSTS OR DAMAGES THAT EXCEED THE PURCHASE PRICE OF THE PRODUCT.**

**SOME JURISDICTIONS DO NOT ALLOW THE EXCLUSION OR LIMITATION OF INCIDENTAL OR CONSEQUENTIAL DAMAGES, SO THE ABOVE LIMITATION OR EXCLUSION MAY NOT APPLY TO THE PURCHASER.**

This limited warranty gives you specific legal rights and you may also have other rights which vary from jurisdiction to jurisdiction. The provisions of the United Nations Convention on Contracts for the Sales of Goods shall not apply to this limited warranty or the sale of products covered by this limited warranty.

**\*\*\*IMPORTANT NOTICE\*\*\***

-Do **NOT** return to place of purchase-  
For customer service and warranty issues  
contact our Customer Service Center at:  
(866)-985-7877 OR

Email: [cservice@welltraveled.net](mailto:cservice@welltraveled.net)

Customer Service Hours: Mon. – Fri. 9:00 a.m. – 6:00 p.m. (EST)