

Read this instruction carefully. See hardware and furniture part list for guidance. Be sure all parts are complete, before you assemble. Place all wooden furniture parts on a clean and flat soft surface to prevent from being scratched.

Follow the figure to start assembling.

CAUTIONS : 1. Do not FULLY - TIGHTEN the nut or nut bolt until all nut or bolt is ready assembled.
 2. Do not OVER - TIGHTEN the nut or bolt to avoid causing damages to the thread.
 3. Keep all hardware parts out of reach of children.

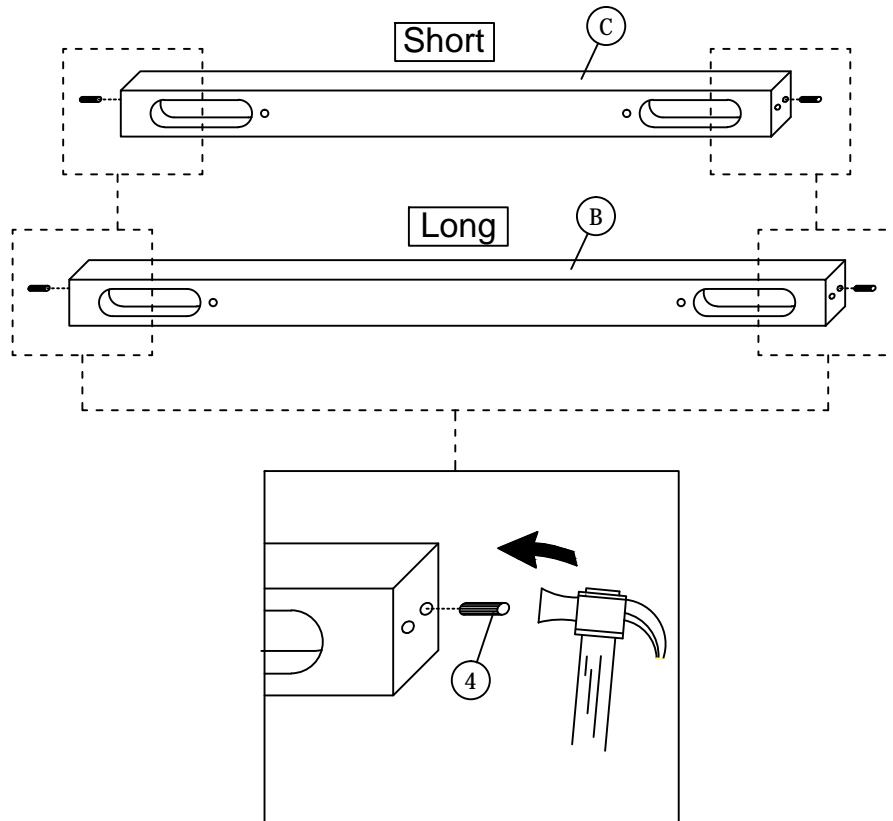
NOTE : THE LIST AND QUANTITY SHOWN ARE FOR 1 UNIT ASSEMBLY.

Tool needed : Screwdriver & Hammer (not provided).

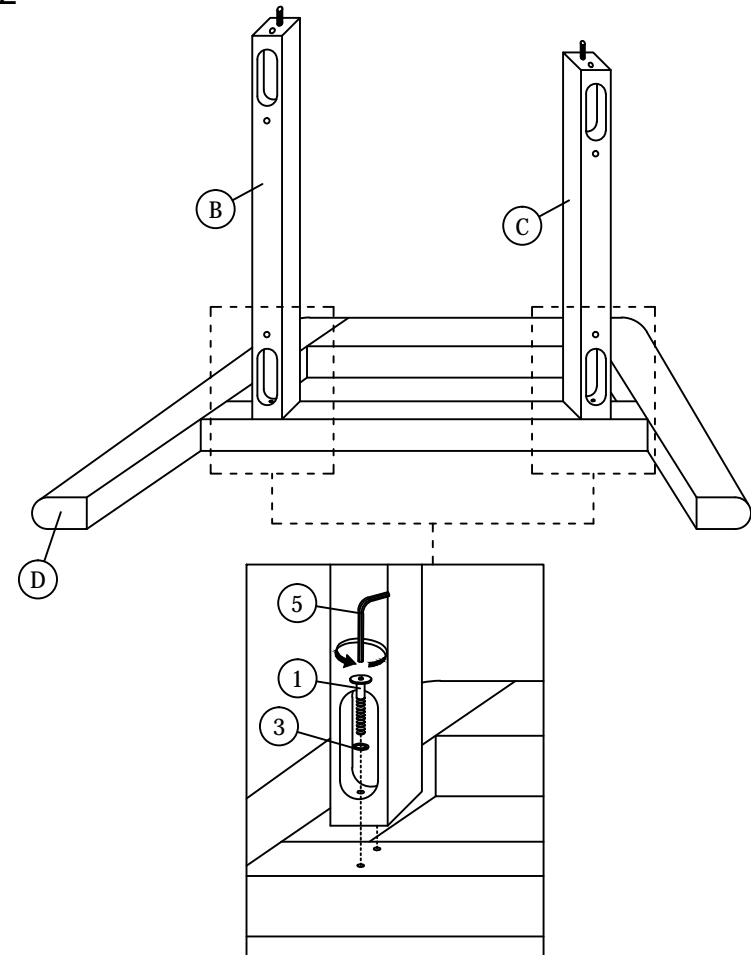
PART LIST		
ITEM	DESCRIPTION	QTY
A	CUSHION SEAT	1pc
B	FRONT STRETCHER	1pc
C	BACK STRETCHER	1pc
D	LEG	2pcs

HARDWARE LIST		
ITEM	DESCRIPTION	QTY
1	JCBB Bolt M8 x 50mm	4pcs
2	Wood Screw M4 x 38mm	10pcs
3	M8 Spring Washer	4pcs
4	Wood Dowel M10 x 30mm	5pcs
5	M5 Allen Key (Ball Shape)	1pc

STEP 1



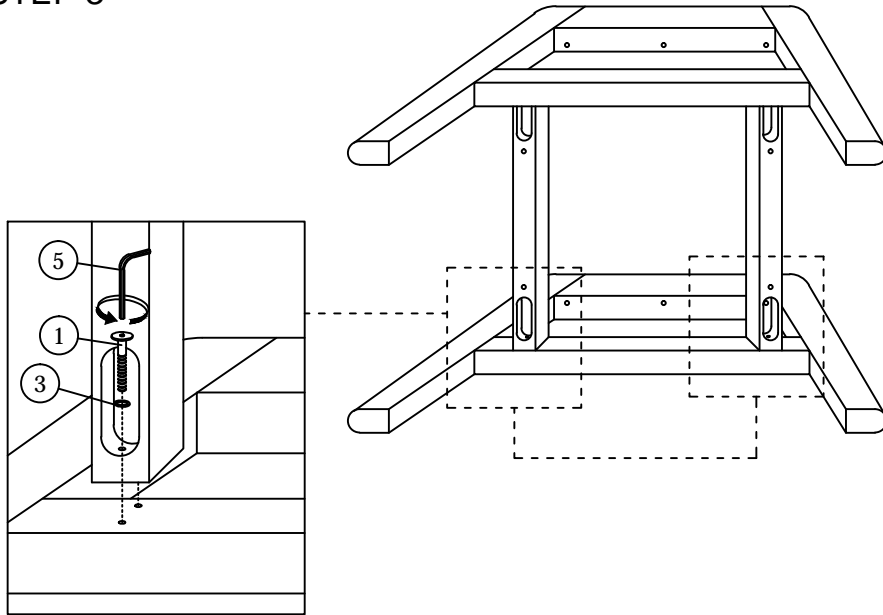
STEP 2



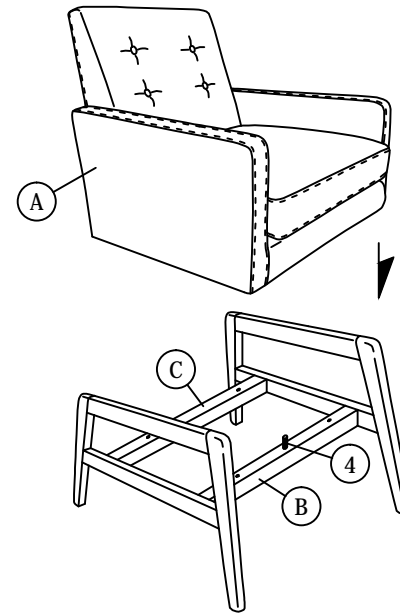
ASSEMBLY INSTRUCTIONS

2 of 3

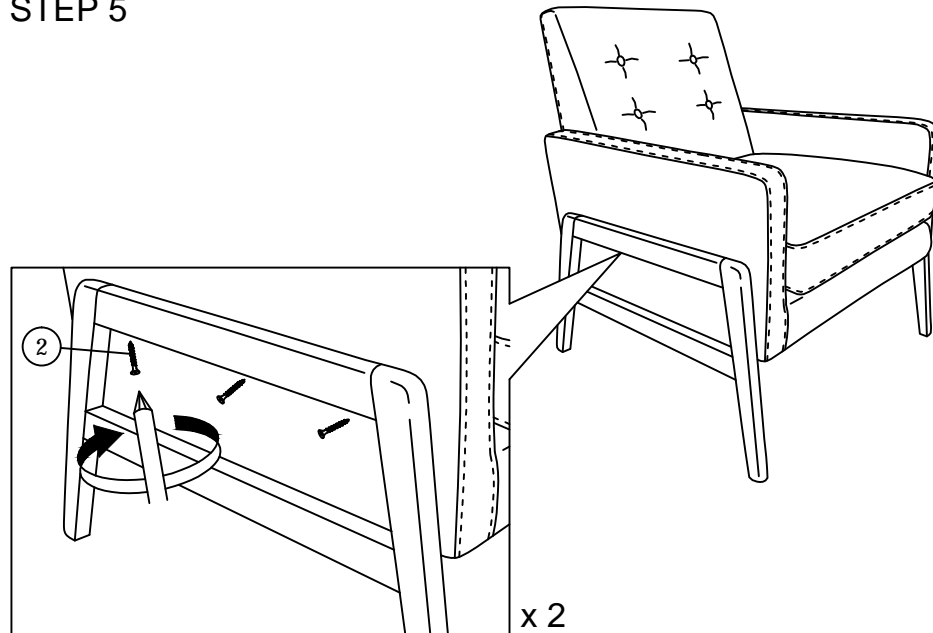
STEP 3



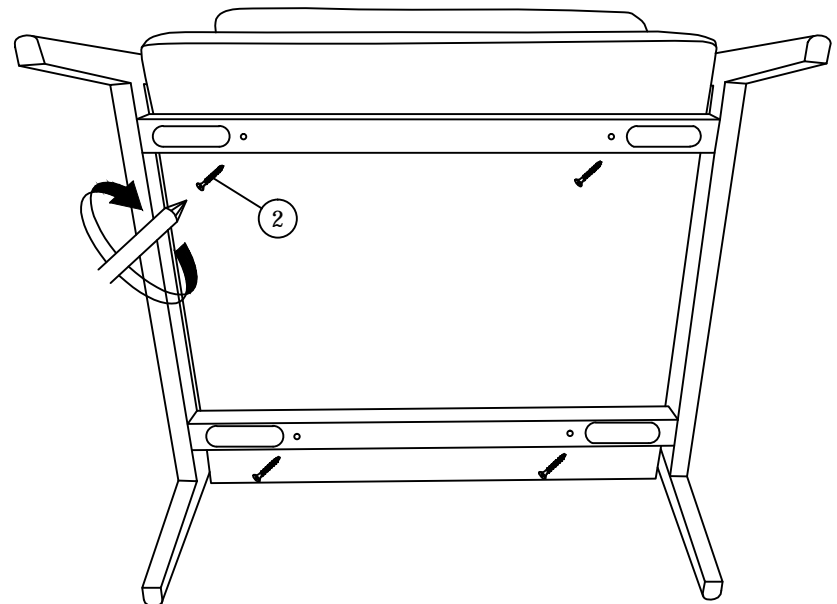
STEP 4



STEP 5



STEP 6



ASSEMBLY INSTRUCTIONS

STEP 7

