

Assembly Instructions



A- Front panel



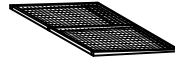
B- Back panel



C- Left panel



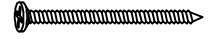
D- Right panel



E- Roof

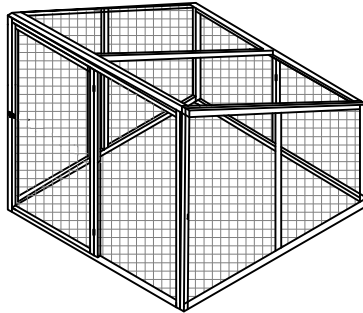
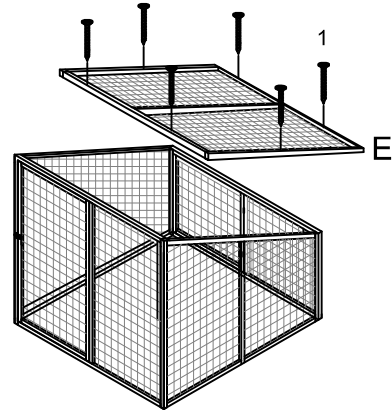
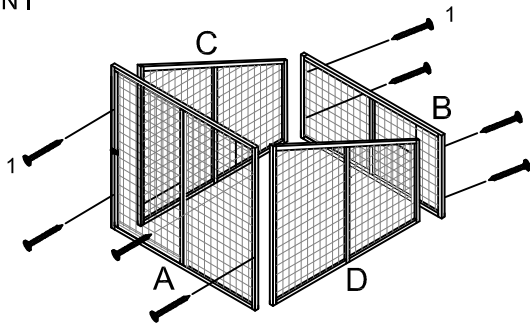


1. 3.5x40mm=14pcs



2. 3.5x50mm=4pcs

APPLICATION I



APPLICATION II

