

# hayneedle

## Assembly Instructions

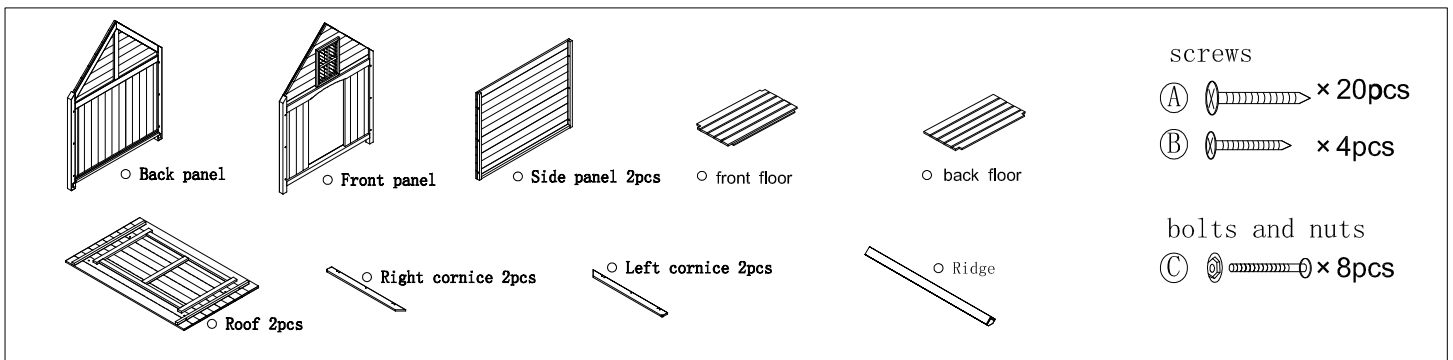
ITEM Number: WIT144

Product Name: Habitats T-Bone Dog House

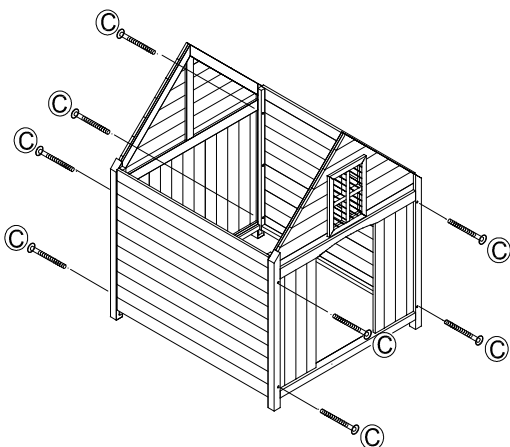
### PRE-ASSEMBLY PREPARATION:

- Please check carton for all necessary parts before beginning assembly and read all instructions before starting.
- The hardware packet contains SMALL ITEMS which should be KEPT AWAY FROM CHILDREN.
- Do not completely tighten any bolts until the unit is fully assembled and sitting on a level surface.
- Please contact Hayneedle's Customer care center with concerns about missing or damaged components, or questions on assembly steps.

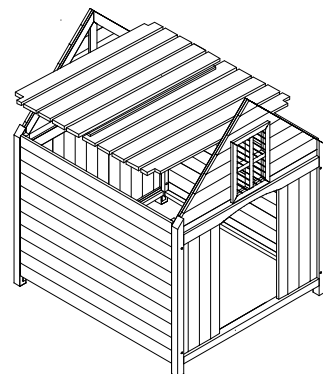
### Panel and Fittings Identification:



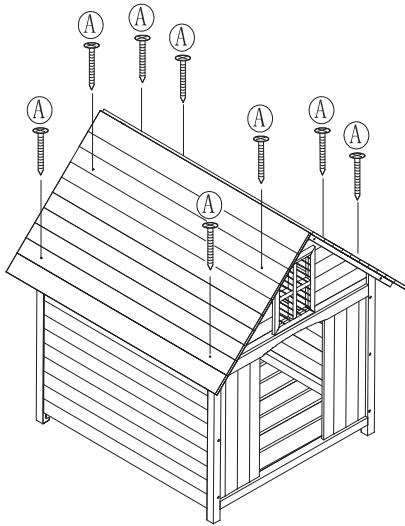
### Step By Step Assembly Instructions:



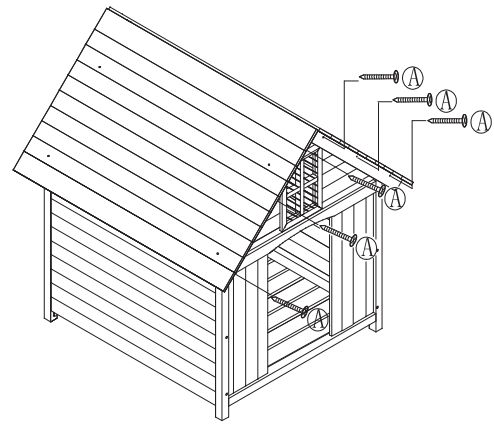
STEP1 Install front panel and back panel with screw C



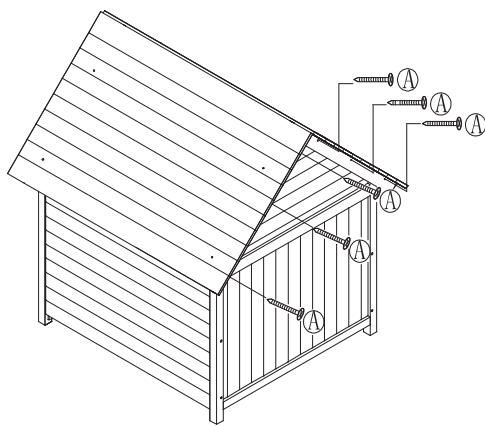
STEP2 Place front floor and back floor in the house



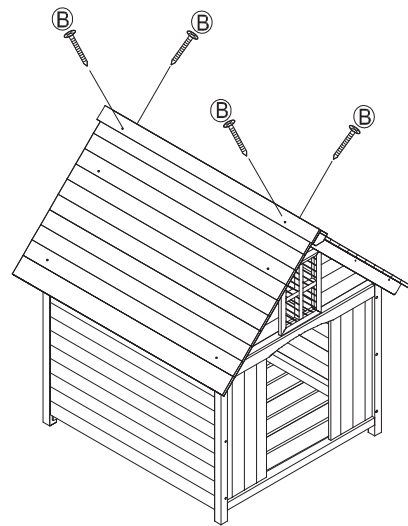
STEP3 Install roof on it is right position with screw with screw A



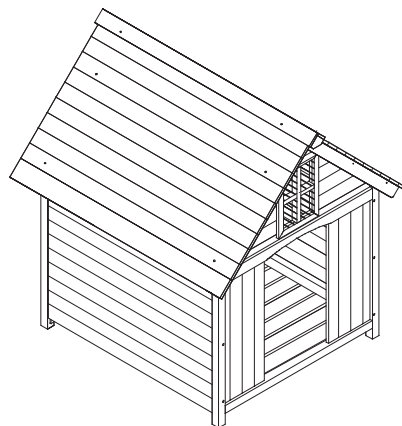
STEP4 Use screw A to assembly cornice on front of the house



STEP5 Use screw A to assembly cornice on back of the house



STEP6 Place the ridge on the roof and fix it with screw B



STEP7 Finished