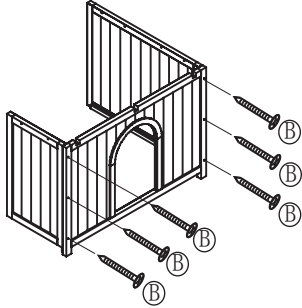
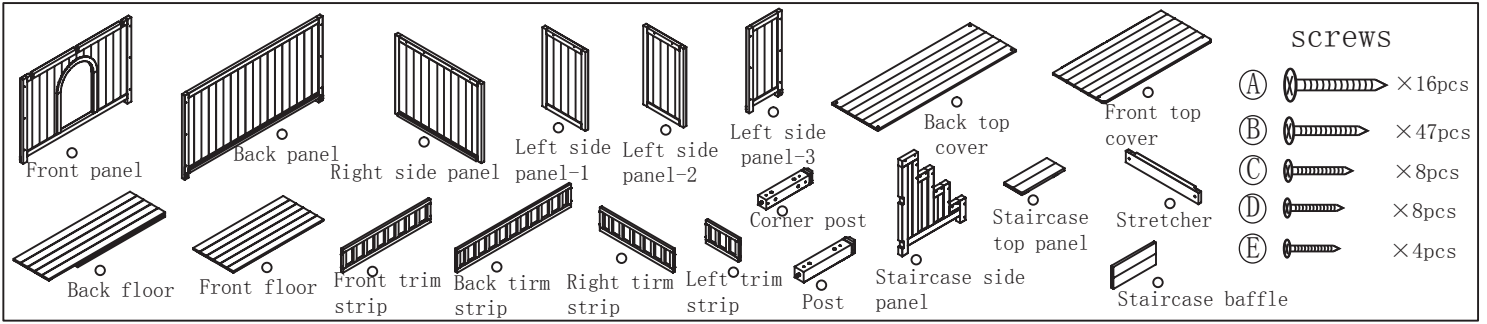
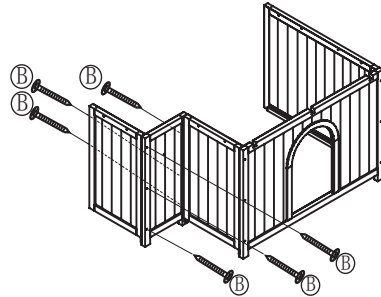


hayneedle

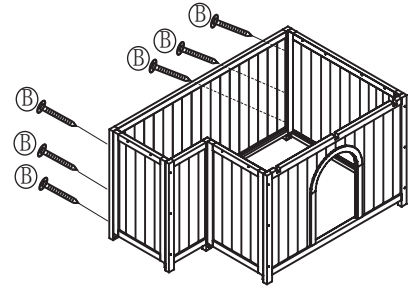
Assembly Instructions



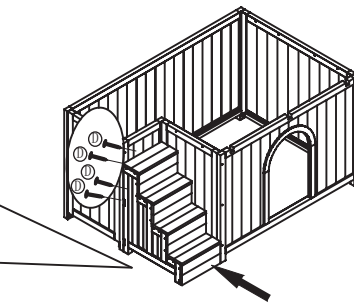
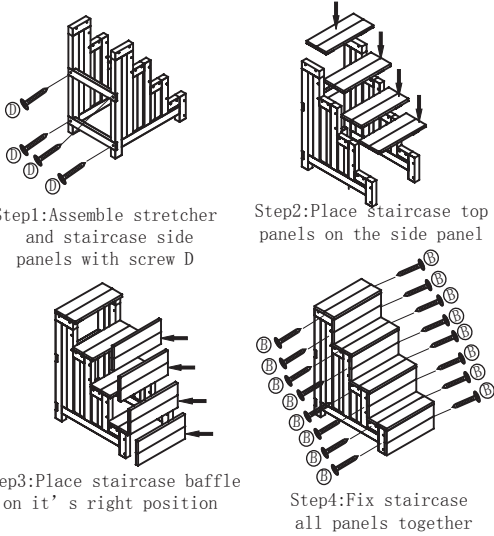
Step1: Use screw B to assemble right side panel and left side panel-1 and front panel together



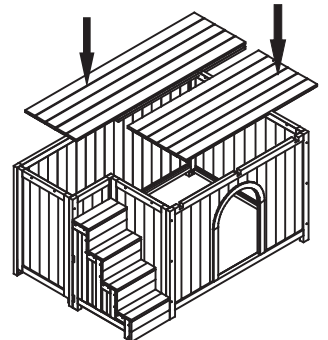
Step2: Assemble 3pcs left side panels with screw B



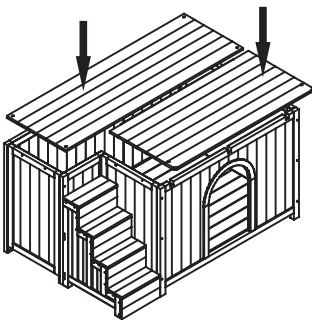
Step3: Install back panel on its right position, the run is finished



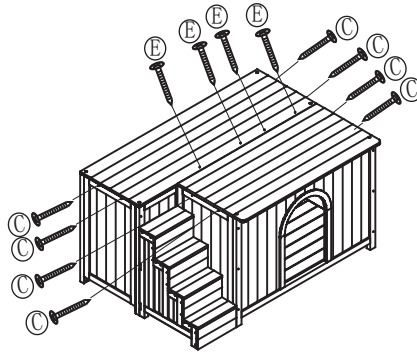
Step4: Use screw D to install stair case



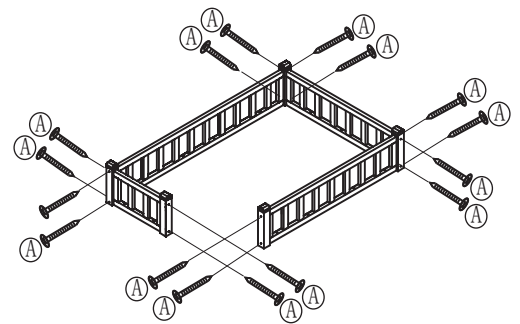
Step5: Place back floor and front floor in the run



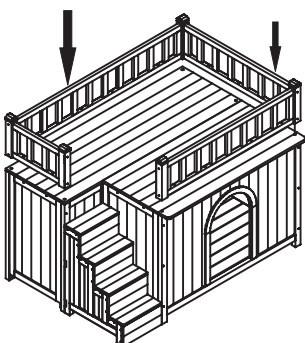
Step6: Place front top cover and back top cover on the run



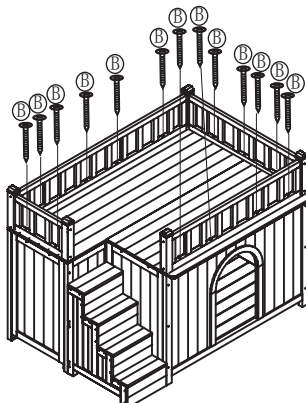
Step7: Fix top covers with screw C and E



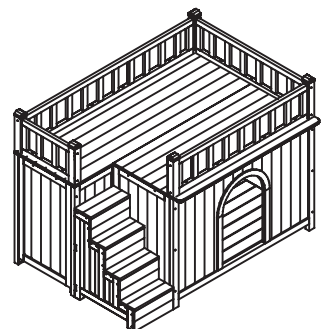
Step8: Assemble corner posts and posts and trim strips with screw A



Step9: Place the porch on its right position



Step10: Fix the porch with screw B



Step11: Finished