

Assembly Instructions

ITEM Number :


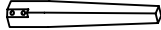
Product Name:

PRE-ASSEMBLY PREPARATION:





- Please check carton for all necessary parts before beginning assembly and read all instructions before starting.
- The hardware packet contains SMALL ITEMS which should be KEPT AWAY FROM CHILDREN.
- Do not completely tighten any bolts until the unit is fully assembled and sitting on a level surface.

Panel and Fittings Identification:

PARTS LIST:

NO.	DESC.	DIAG	Q'TY
A	TOP		1PC
B	LEG		4PCS

HARDWARE LIST:

NO.	DESC.	DIAG	Q'TY
1	BOLT		8PCS
2	SPRING WASHER		8PCS
3	WASHER		8PCS
4	WRENCH		1PC

