

Torch Mounting Options

Universal U-Bracket

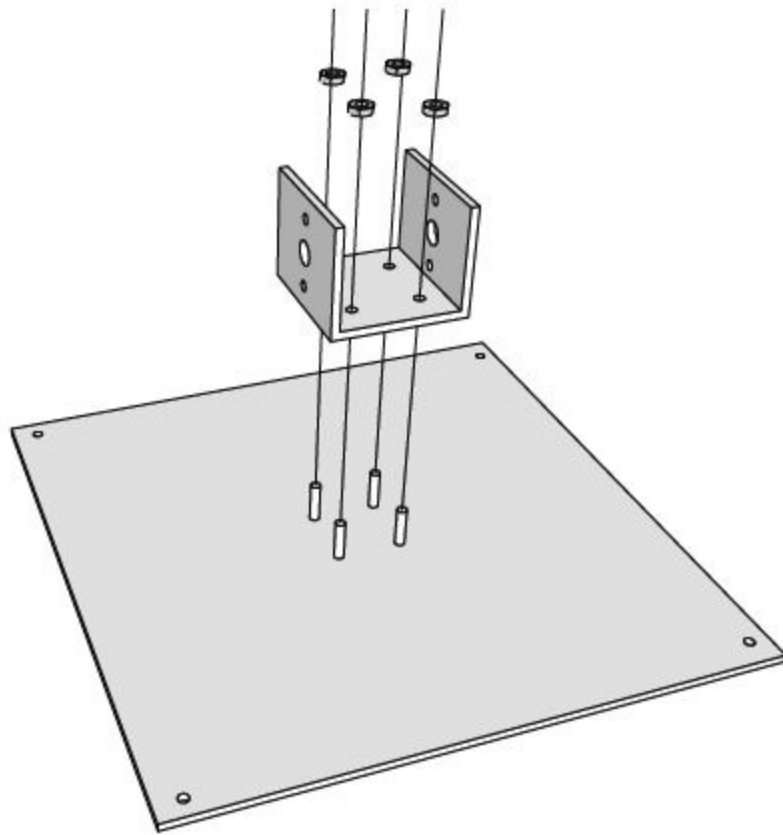


The universal U-Bracket is for temporary mounting on a solid surface.

Included with every torch.

Option 1

Stabalization Plate



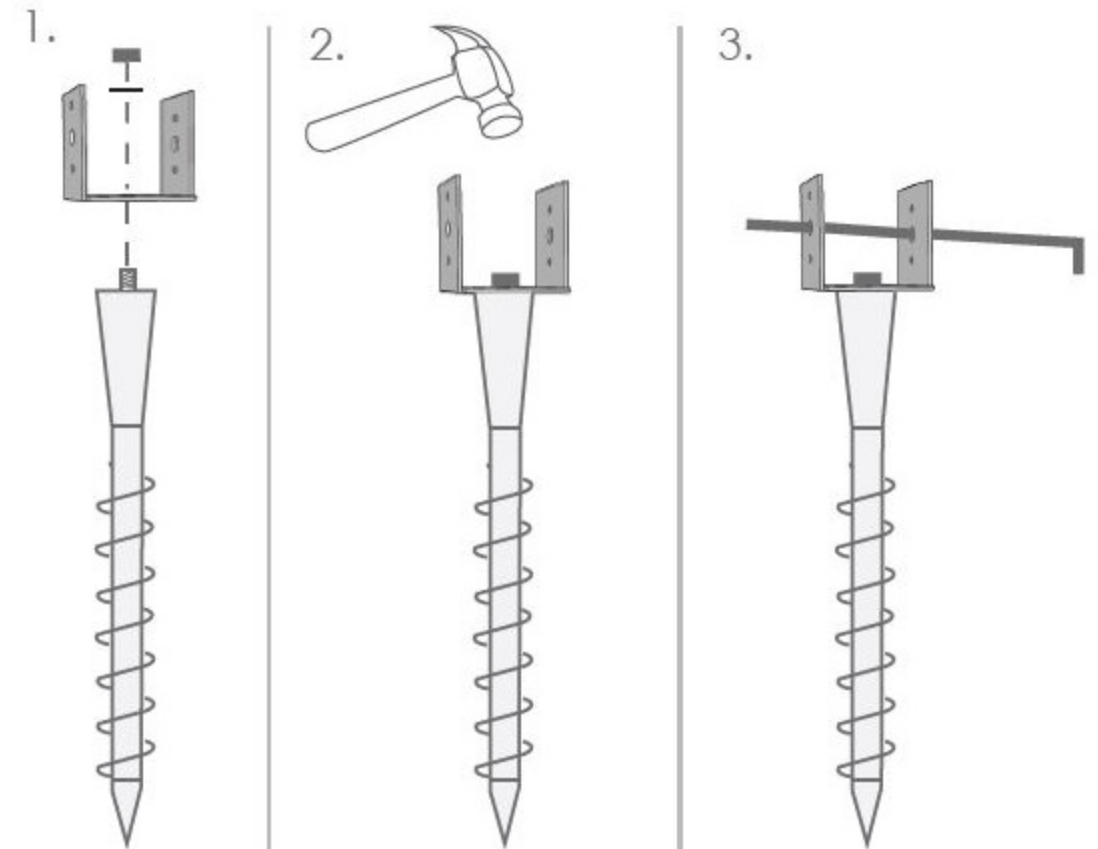
The stabilization plate mounting option includes: The Universal U-Bracket as well as a 14" stabilization plate for temporary mounting on a deck or patio surface.

Available for purchase separately

Auger

Option 3

The Aussie Auger Anchor is for temporary landscape mounting. Since you don't have to dig or use cement, this Aussie Auger Anchor lets you install your firespace without mess or sweat. The fastest, easiest, cleanest way to install your firespace!



1. Attach Universal U-Bracket.

2. Place Auger: Use hammer to set the tip into the ground. Be sure to keep auger straight.

3. Slide metal turn bar through the Universal U-Bracket. Use the turn bar to twist the auger into the ground until U-Bracket is flush with ground.

Available for purchase separately