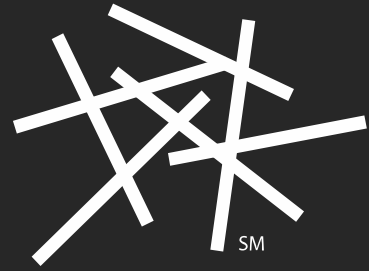
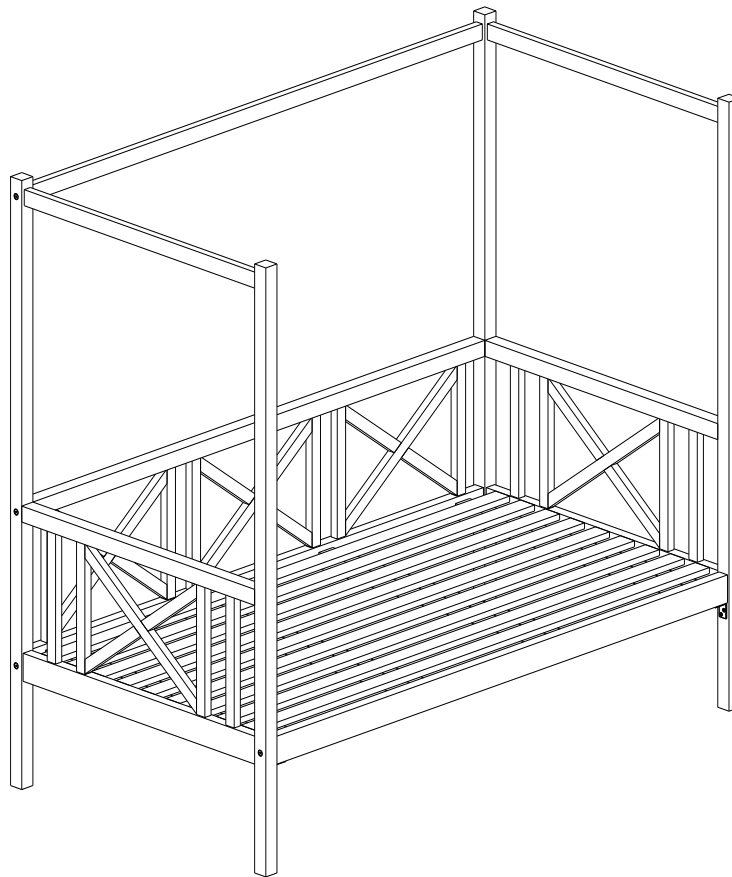


hayneedle



ITEM NAME: BELHAM LIVING BRIGHTON OUTDOOR DAYBED

SKU: TDJ166



**For assistance with assembly, please contact
Hayneedle Customer Care Center
1-888-880-4884**

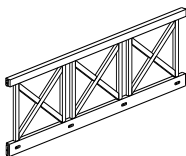
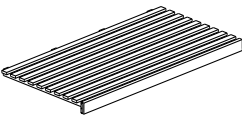

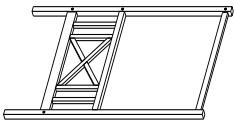
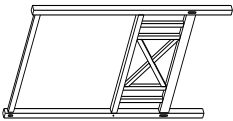
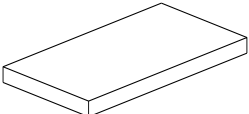


PRE-ASSEMBLY PREPARATION:





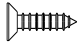
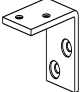

DO NOT LET CHILDREN PLAY IN OR AROUND THE UNIT DUE TO THE POSSIBLE RISK OF FINGER ENTRAPMENT

- Please read through the instructions before beginning assembly.
- Two adults are recommended for assembly.
- Clear out the space for assembly and lay out all parts based on Parts List, extra room will allow you to easily determine if all the pieces are present.
- Save all packing materials until assembly is complete to avoid accidentally discarding smaller parts or hardware.
- Keep small parts and pieces away from children until fully assembled.
- Please check for any loose screws and tighten them before you use.

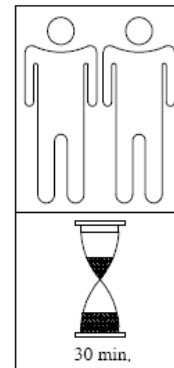
PANEL AND FITTINGS IDENTIFICATION:

 <p>1. Back Qty: 1</p>	 <p>2. Seat Qty: 1</p>	 <p>3. Upper Bar Qty: 1</p>	 <p>4. Left Side Qty: 1</p>
 <p>5. Right Side Qty: 1</p>	 <p>6. Seat Cushion Qty: 1</p>	 <p>7. Bolster Pillow Qty: 2</p>	 <p>8. Pillow Qty: 3</p>

HARDWARE LIST :

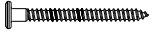

 <p>A. Screw M7x70 mm Qty: 4</p>	 <p>B. Screw M7x90 mm Qty: 8</p>	 <p>C. Screw M4x20 mm Qty: 8</p>
 <p>D. L-Bracket Qty: 2</p>	 <p>E. Allen key M4 Qty: 1</p>	

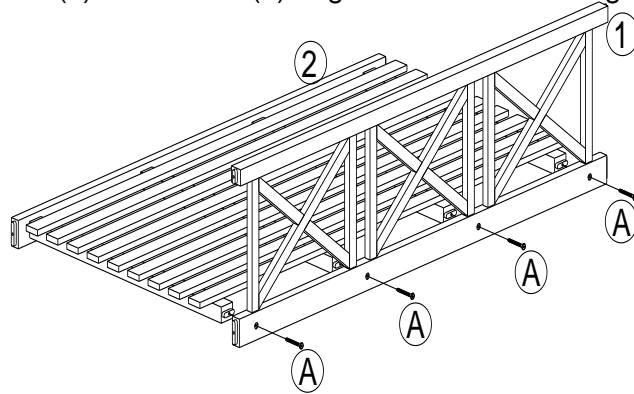
TOOLS NEEDED





STEP-BY-STEP ASSEMBLY

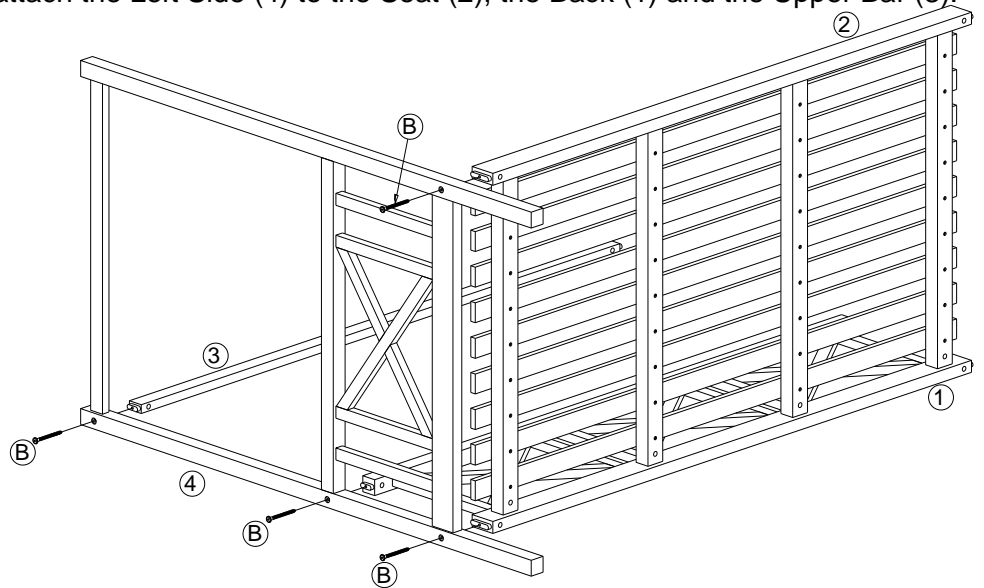
1 STEP 1: Use the Screw (A) to attach the back (1) to the Seat (2). Tighten all Screws using Allen Key (E).

No.	QTY	HARDWARE LIST
A	4	 Screw M7X70 mm
E	1	 Allen key M4

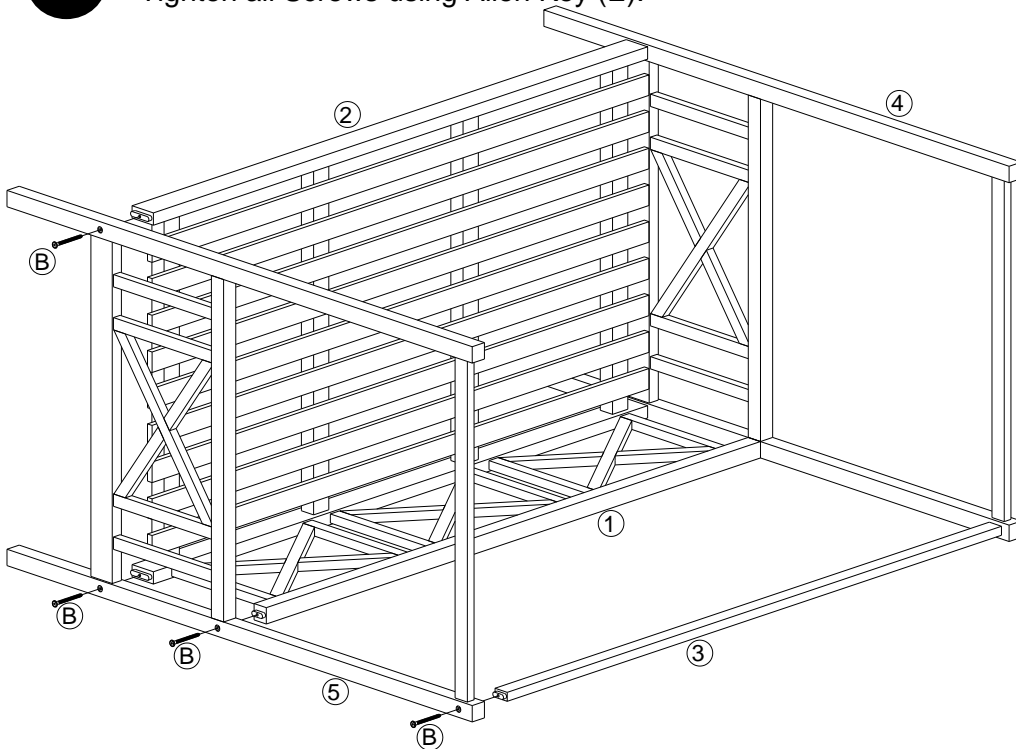


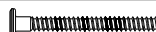

2 STEP 2: Use Screw (B) to attach the Left Side (4) to the Seat (2), the Back (1) and the Upper Bar (3).

No.	QTY	HARDWARE LIST
B	4	 Screw M7X90 mm
E	1	 Allen key M4



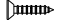
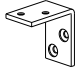
3 STEP 3: Use the Screw (B) to attach the Right Side (5) to the Seat (2), the Back (1) and Upper Bar (3). Tighten all Screws using Allen Key (E).

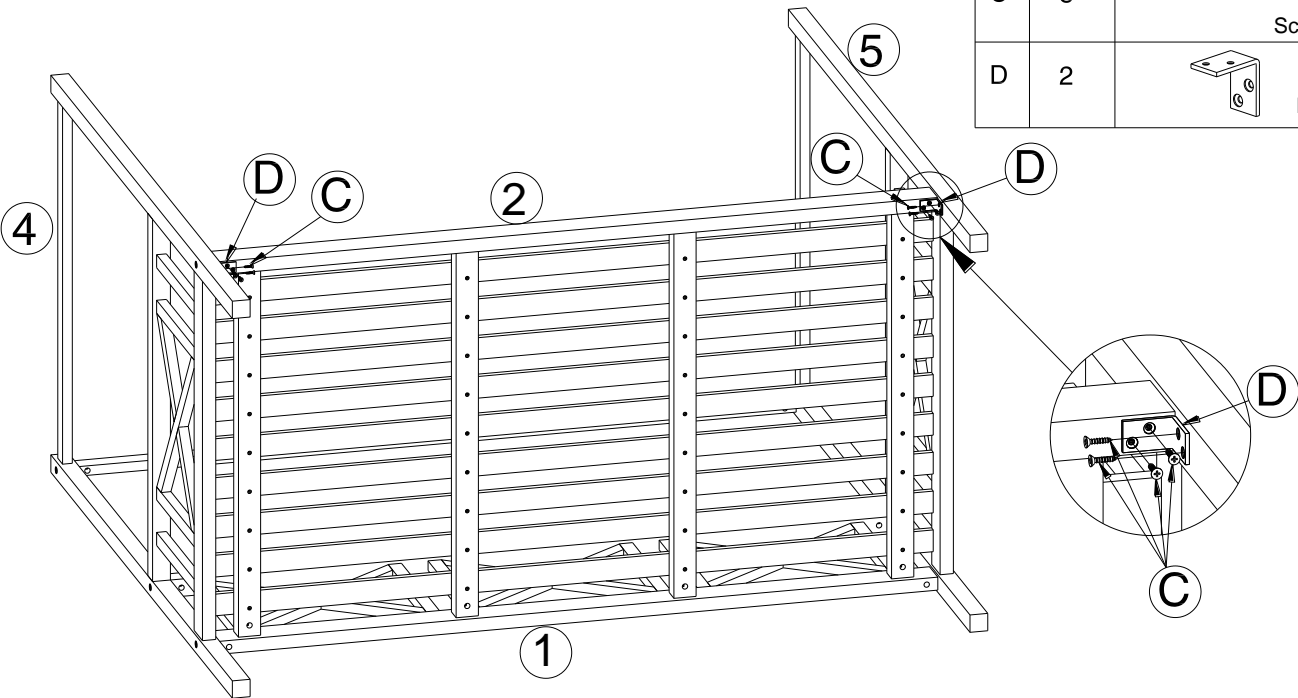


No.	QTY	HARDWARE LIST
B	4	 Screw M7X90 mm
E	1	 Allen key M4

4

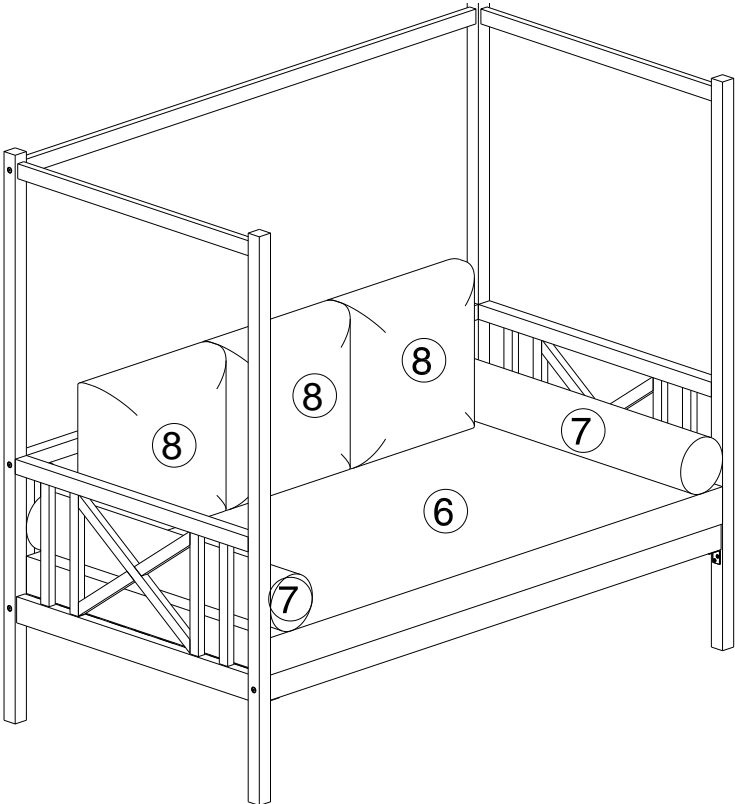
STEP 4: Use Screw (C) and Screwdriver to attach the L-Bracket (D) to the Seat (2) and the Right, Left Side (4 & 5).

No.	QTY	HARDWARE LIST
C	8	 Screw M4X20 mm
D	2	 L-Bracket



5

STEP 5: Put the Seat Cushion (6), Back Pillow (8) and Bolster Pillow (7) on the Daybed for use.



MAINTENANCE AND CARE TIPS FOR OUTDOOR WOOD FURNITURE

The best way to preserve and extend the life of your outdoor wood furniture is to cover it with a waterproof cover when it's not in use, store it in a cool, dry place like a garage or shed during the winter months, and keep the wood hydrated with products like linseed oil a couple times per year. The less exposure your wood furniture has to sun, wind, rain, and snow, the longer it will last. Woods that are stained or painted should be sanded and re-stained or repainted as needed to protect the elements from penetrating the surface. Wood left in direct contact with wet surfaces will quickly become saturated and rot. When wood does get wet, dry it off as quickly as possible.

It's also important to place your outdoor wood furniture on a surface where water won't pool. A patio or deck is an ideal spot, and you should consider paving stones or a bed of rocks for wood furniture out in the garden. Wood left in direct contact with wet surfaces will quickly become saturated and rot. When wood does get wet, dry it off as quickly as possible or leave it out in the sun to dry.

Frequently exposed to harsh conditions or damp surfaces, wood furniture will begin to show signs of wear and deterioration. Signs of damage may include checking (cracking or splitting), swelling, rotting, and discoloration. In addition to protective covers and off-season storage, you can further prevent this type of damage by keeping woods well-hydrated with products like linseed oil. Saturate your furniture with the oil several times per year. Well-oiled wood will be better-protected from the elements and will retain its color and smooth surface longer. Woods that are stained or painted should be sanded and re-stained or repainted as needed to protect the elements from penetrating the surface.

Take time to learn more about how your particular type of wood tends to weather. Some woods, like pine, will require frequent staining or oiling, while a wood like cedar has natural oils that make it resistant to cracking and moisture rot. Woods like teak will turn a silver grey when left untreated, and many outdoor wood furniture owners look forward to this transformation.

Finally, dirt build-up leads to deterioration, so keeping your outdoor wood furniture clean will give it a longer life. Clean it well two or three times per year with water, mild soap, and a soft cloth. (This is also the perfect time for a periodic hardware check.) We recommend using a product specifically designed for cleaning wood furniture. Hose it down before you start to remove cobwebs and caked-on dirt. Do not use abrasive cleaners, bleach, or scouring products that will affect the finish. Dry the furniture thoroughly when done. Poolside furniture should be hosed down after each use to minimize chlorine damage.