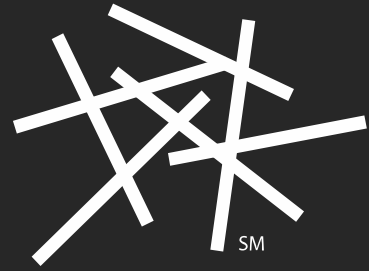
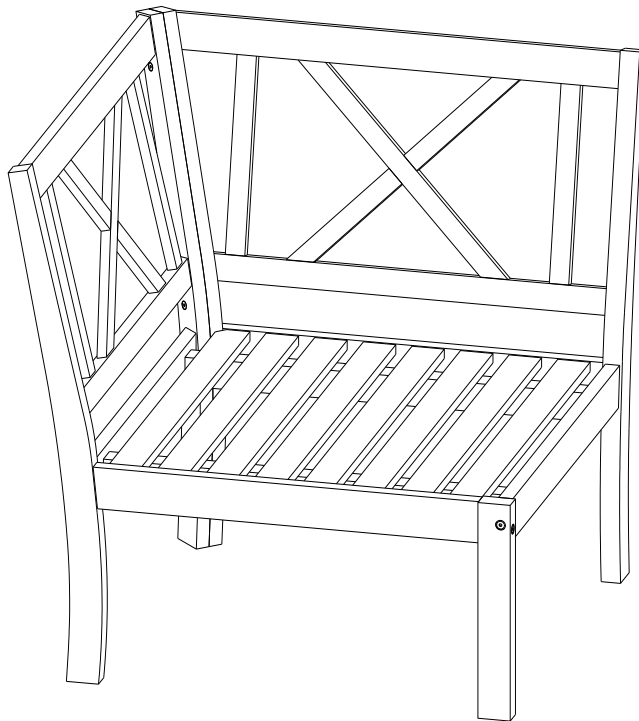


hayneedle



ITEM NAME: BELHAM LIVING BRIGHTON SECTIONAL CORNER CHAIR

SKU: TDJ132, TDJ177



**For assistance with assembly, please contact the
Customer Care Center
1-888-880-4884**

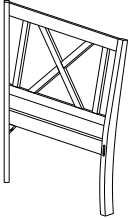

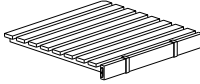
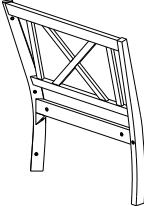
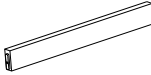


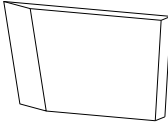
PRE-ASSEMBLY PREPARATION:



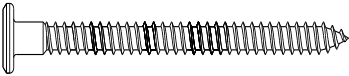
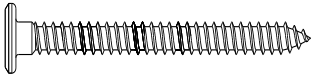
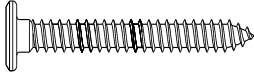



DO NOT LET CHILDREN PLAY IN OR AROUND THE UNIT DUE TO THE POSSIBLE RISK OF FINGER ENTRAPMENT

- Please read through this instruction before beginning assembly.
- Two adults assembly is recommended.
- Clear out the space for assembly and lay out all parts base on Parts List, extra room will allow you to easily determine if all the pieces are present.
- Save all packing materials until assembly is complete to avoid accidentally discarding smaller parts or hardware.
- Keep small parts and pieces away from children until fully assembly.
- Please check for any loose screws and tighten them before you use.

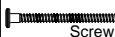


PANEL AND FITTINGS IDENTIFICATION:

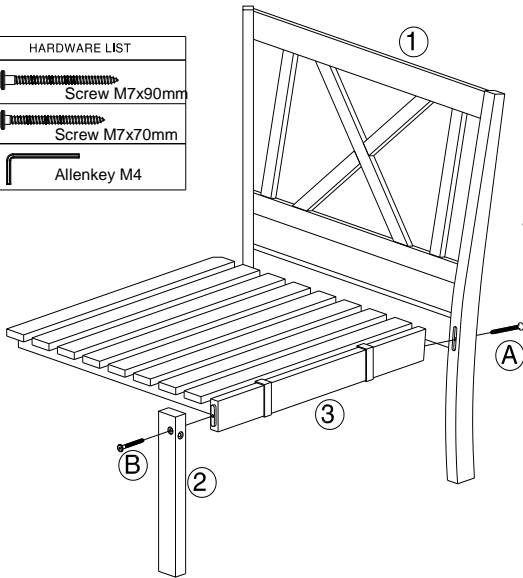
 1. Left Back Qty: 1	 2. Leg Qty: 1	 3. Seat Qty: 1	 4. Right Back Qty: 1
 5. Top Bar Qty: 1	 6. Seat Cushion Qty: 1	 7. Left Back Cushion Qty: 1	 8. Right Back Cushion Qty: 1

HARDWARE LIST :

 A. Screw M7x90 Mm Qty: 3	 B. Screw M7x70 Mm Qty: 1	 C. Screw M7x60 Mm Qty: 2
 D. Bulon M6x30Mm Qty: 3	 E. Cap Nut M6x13mm Qty: 3	 F. Allen Key M4 Qty: 2

STEP-BY-STEP ASSEMBLY

No.	QTY	HARDWARE LIST
A	1	 Screw M7x90mm
B	1	 Screw M7x70mm
F	1	 Allenkey M4



STEP 1:


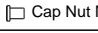

Use the Allen Key (F) to tighten the Screw (A) to attach the Left Back (1) to the Seat (3).

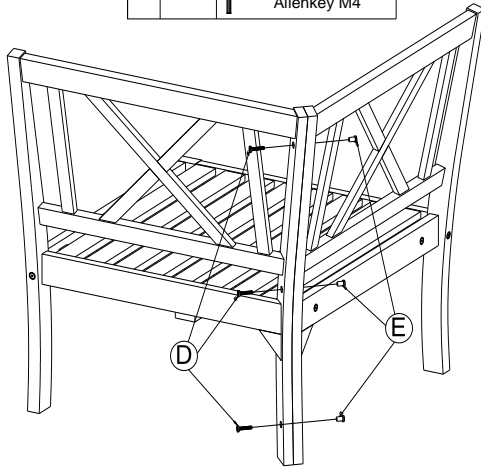
Use the Allen Key (F) to tighten the Screw (B) to attach the Leg (2) to the Seat (3).

STEP 2:

Use the Allen Key (F) to tighten the Screws (A) to attach the Top Bar (5) to the Right Back (4) and the Leg (2).

Use the Allen Key (F) to tighten the Screws (C) to attach the Right Back (4) to the Sear (3).

No.	QTY	HARDWARE LIST
D	3	 Bulon M6x30 mm
E	3	 Cap Nut M6x13 mm
F	2	 Allenkey M4

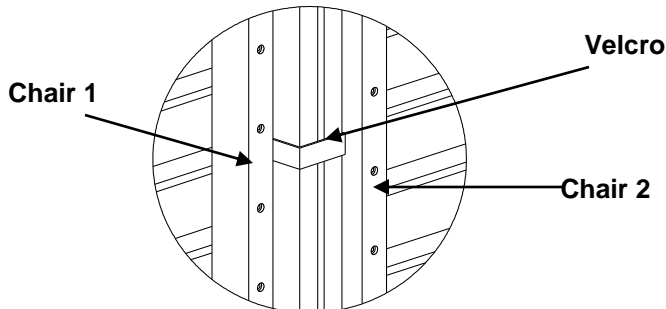


STEP 3:

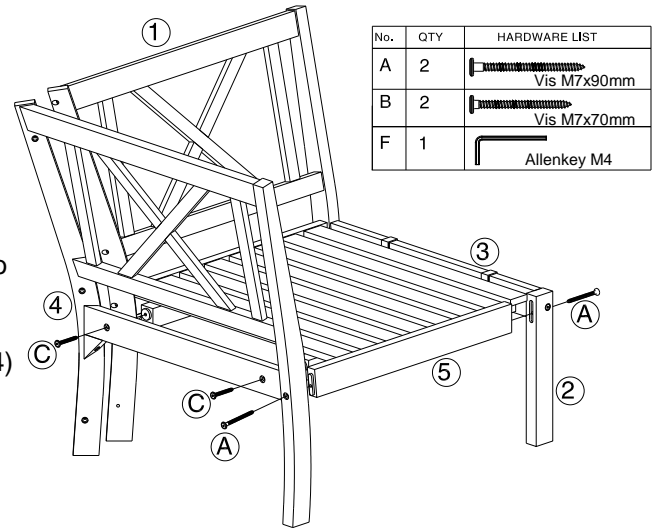
Use the Allen Key (F) to tighten the Bolts (D) and the Cap Nuts (E) to attach the Left Back (1) and the Right Back (4) together.


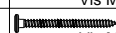

STEP 4:

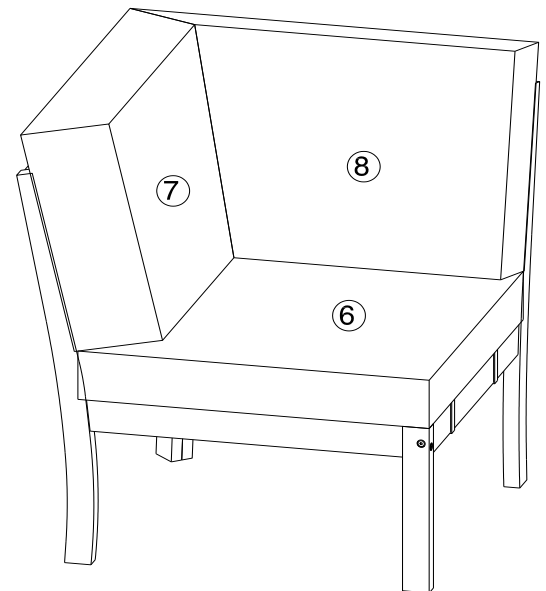
Secure the Seat Cushion (6) and the Right Back Cushion (7) and Left Back Cushion (8) using the ties.



When you've finished assembling the Brighton Corner Chair, you can use the included Velcro to attach it to the adjoining Brighton chairs.



No.	QTY	HARDWARE LIST
A	2	 Vis M7x90mm
B	2	 Vis M7x70mm
F	1	 Allenkey M4



MAINTENANCE AND CARE TIPS FOR OUTDOOR WOOD FURNITURE

The best way to preserve and extend the life of your outdoor wood furniture is to cover it with a waterproof cover when it's not in use, store it in a cool, dry place like a garage or shed during the winter months, and keep the wood hydrated with products like linseed oil a couple times per year. The less exposure your wood furniture has to sun, wind, rain, and snow, the longer it will last. Woods that are stained or painted should be sanded and re-stained or repainted as needed to protect the elements from penetrating the surface. Wood left in direct contact with wet surfaces will quickly become saturated and rot. When wood does get wet, dry it off as quickly as possible.

It's also important to place your outdoor wood furniture on a surface where water won't pool. A patio or deck is an ideal spot, and you should consider paving stones or a bed of rocks for wood furniture out in the garden. Wood left in direct contact with wet surfaces will quickly become saturated and rot. When wood does get wet, dry it off as quickly as possible or leave it out in the sun to dry.

Frequently exposed to harsh conditions or damp surfaces, wood furniture will begin to show signs of wear and deterioration. Signs of damage may include checking (cracking or splitting), swelling, rotting, and discoloration. In addition to protective covers and off-season storage, you can further prevent this type of damage by keeping woods well-hydrated with products like linseed oil. Saturate your furniture with the oil several times per year. Well-oiled wood will be better-protected from the elements and will retain its color and smooth surface longer. Woods that are stained or painted should be sanded and re-stained or repainted as needed to protect the elements from penetrating the surface.

Take time to learn more about how your particular type of wood tends to weather. Some woods, like pine, will require frequent staining or oiling, while a wood like cedar has natural oils that make it resistant to cracking and moisture rot. Woods like teak will turn a silver grey when left untreated, and many outdoor wood furniture owners look forward to this transformation.

Finally, dirt build-up leads to deterioration, so keeping your outdoor wood furniture clean will give it a longer life. Clean it well two or three times per year with water, mild soap, and a soft cloth. (This is also the perfect time for a periodic hardware check.) We recommend using a product specifically designed for cleaning wood furniture. Hose it down before you start to remove cobwebs and caked-on dirt. Do not use abrasive cleaners, bleach, or scouring products that will affect the finish. Dry the furniture thoroughly when done. Poolside furniture should be hosed down after each use to minimize chlorine damage.