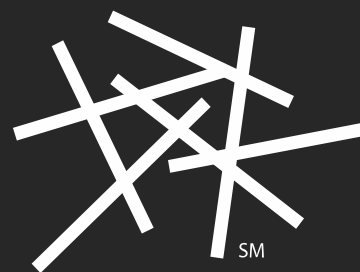
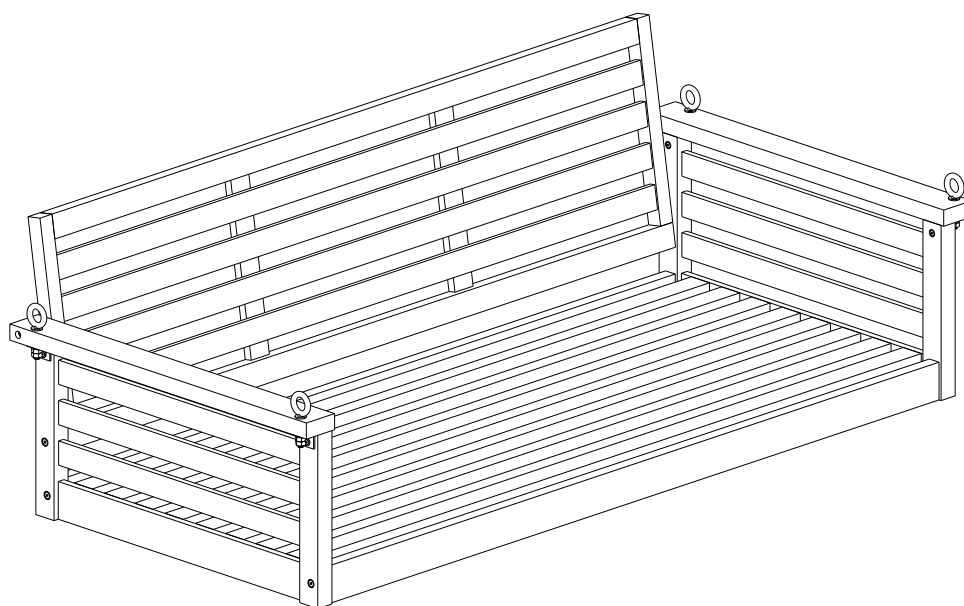


# hayneedle



**ITEM NAME:** BELHAM LIVING CARI BAY DEEP SEATING PORCH SWING BED WITH CUSHION

**SKU:** TDJ170



**For assistance with assembly, please contact  
Hayneedle Customer Care Center  
1-888-880-4884**

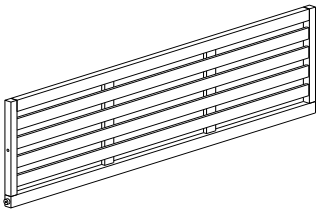
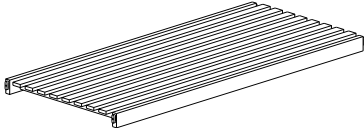
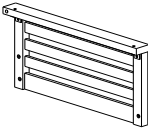
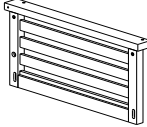
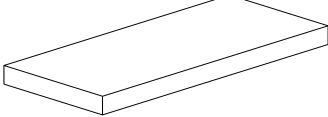

## PRE-ASSEMBLY PREPARATION:




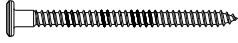



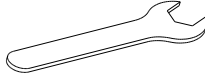
DO NOT LET CHILDREN PLAY IN OR AROUND THE UNIT DUE TO THE POSSIBLE RISK OF FINGER ENTRAPMENT

- Please read through this instruction before beginning assembly.
- Two adults assembly is recommended.
- Clear out the space for assembly and lay out all parts base on Parts List, extra room will allow you to easily determine if all the pieces are present.
- Save all packing materials until assembly is complete to avoid accidentally discarding smaller parts or hardware.
- Keep small parts and pieces away from children until fully assembly.
- Please check for any loose screws and tighten them before you use.

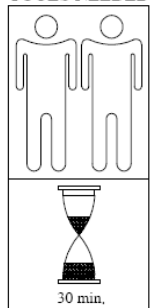
## PANEL AND FITTINGS IDENTIFICATION:

 <p><b>1.Back</b> Qty: 1</p>	 <p><b>2. Seat</b> Qty: 1</p>	 <p><b>3.Left Arm</b> Qty: 1</p>
 <p><b>4.Right Arm</b> Qty: 1</p>	 <p><b>5.Seat Cushion</b> Qty: 1</p>	 <p><b>6.Bolster Pillow</b> Qty: 2</p>

## HARDWARE LIST :


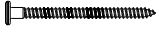

 <p><b>A. Bolts</b> Qty: 2 M6x80mm</p>	 <p><b>B. Screw</b> Qty: 6 M7x90 mm</p>	 <p><b>C.Chain Hook</b> Qty: 4 M10/105 mm</p>
 <p><b>D. Chain</b> Qty: 2</p>	 <p><b>E. Allen key M4</b> Qty: 1</p>	 <p><b>F. Wrench 17</b> Qty: 1</p>

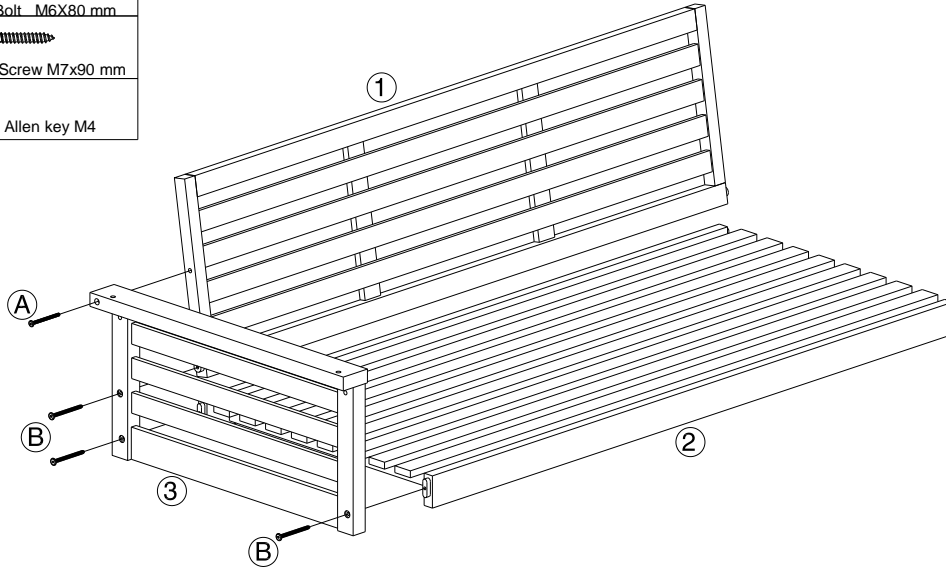
### TOOLS NEEDED




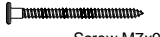

## STEP-BY-STEP ASSEMBLY

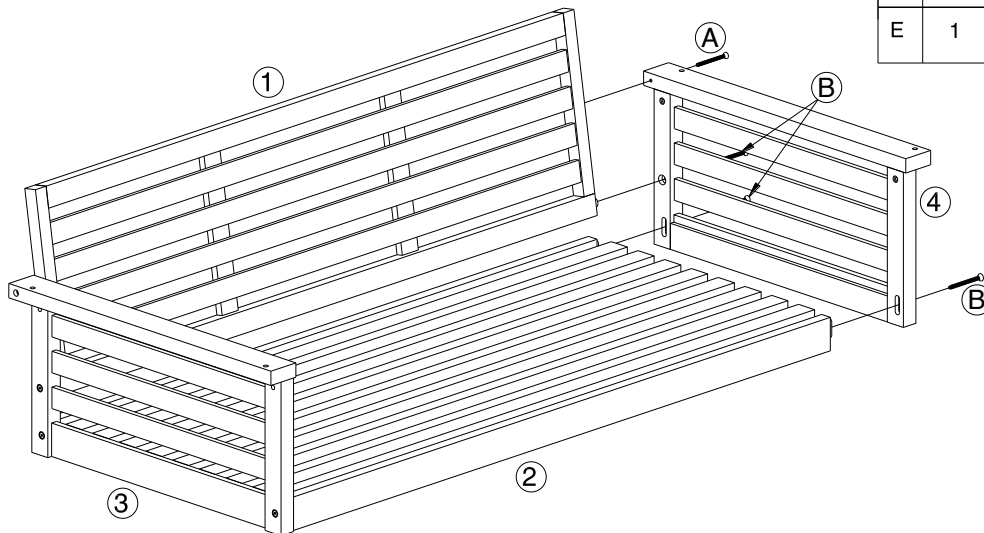
**STEP 1:** Use Bolt (A) and Screw (B) to attach The Left Arm (3) to the Back (1) and the Seat (2).  
Tighten all Screw using Allen Key (E).

No.	QTY	HARDWARE LIST
A	1	 Bolt M6X80 mm
B	3	 Screw M7x90 mm
E	1	 Allen key M4

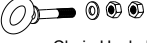



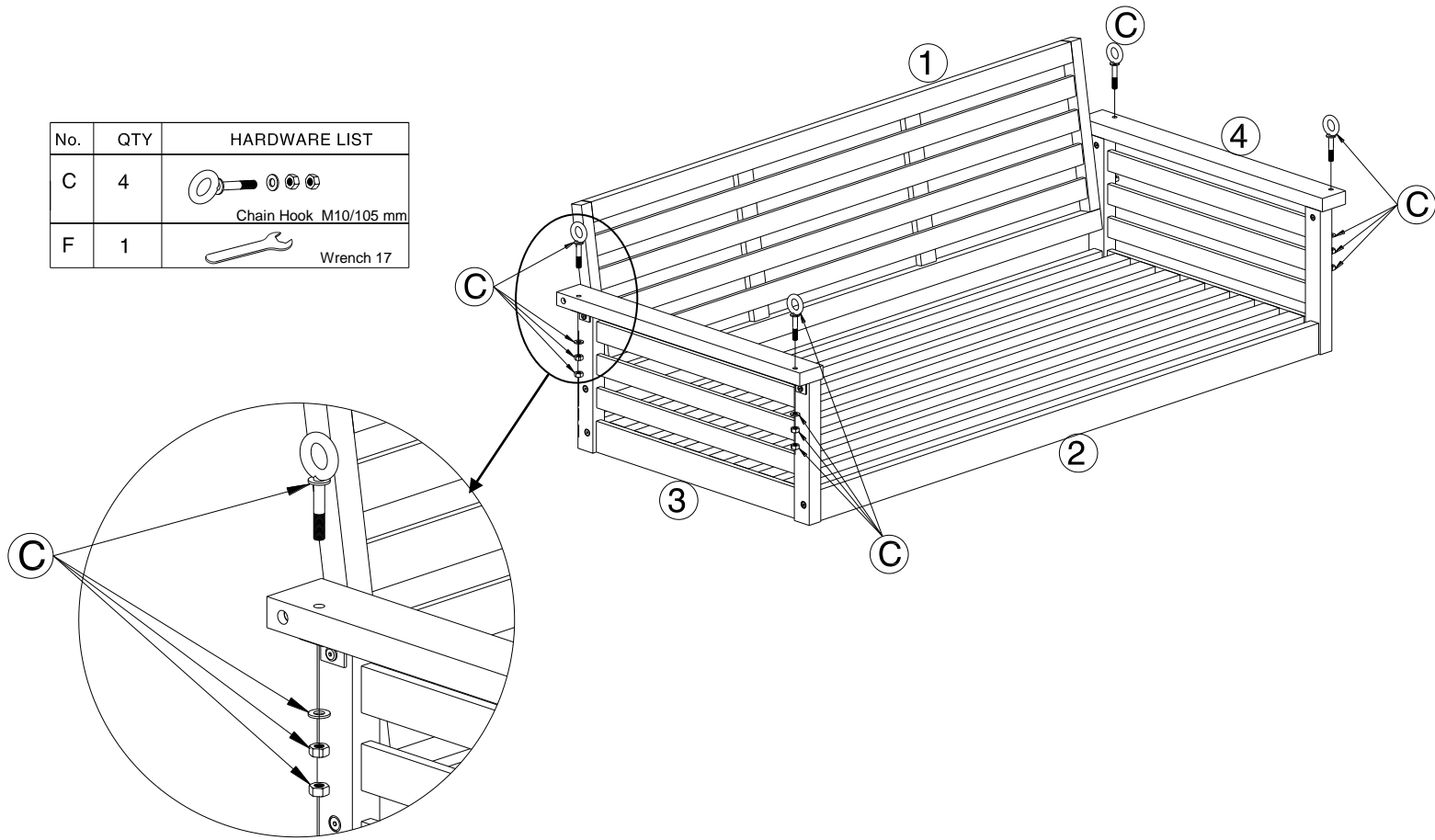
**STEP 2:** Use Bolt (A) and Screw (B) to attach The Right Arm (4) to the Back (1) and the Seat (2).  
Tighten all Screw using Allen Key (E).

No.	QTY	HARDWARE LIST
A	1	 Bolts M6X80 mm
B	3	 Screw M7x90 mm
E	1	 Allen key M4

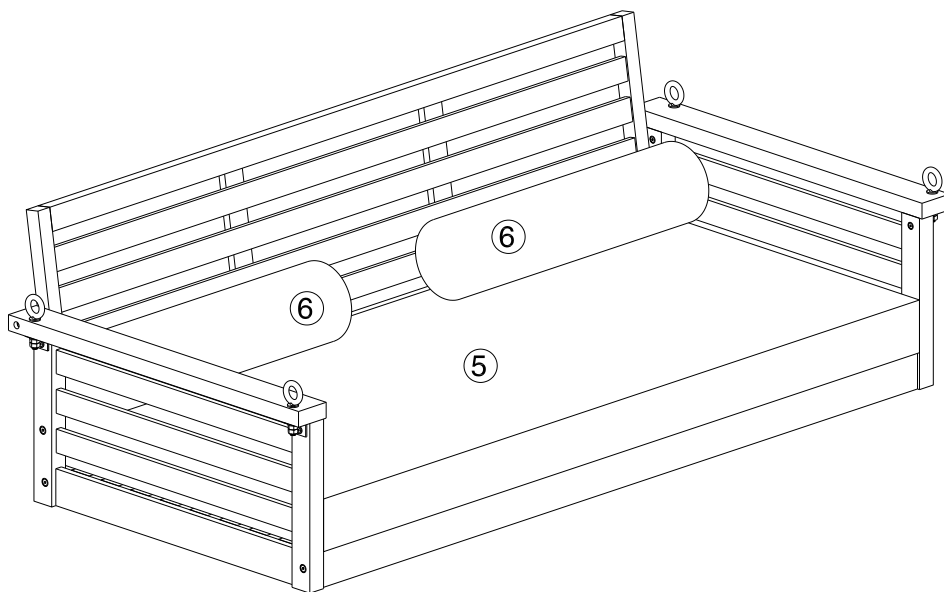


**STEP 3:** Use the Wrench (F) to attach the Chain Hooks (C) and the Washers and the Nuts to the Right and Left Arm (3 & 4).

No.	QTY	HARDWARE LIST
C	4	 Chain Hook M10/105 mm
F	1	 Wrench 17



**STEP 4:** Put the Seat Cushion (5) and Bolster Pillow (6) on the Swing for use.



## MAINTENANCE AND CARE TIPS FOR OUTDOOR WOOD FURNITURE

The best way to preserve and extend the life of your outdoor wood furniture is to cover it with a waterproof cover when it's not in use, store it in a cool, dry place like a garage or shed during the winter months, and keep the wood hydrated with products like linseed oil a couple times per year. The less exposure your wood furniture has to sun, wind, rain, and snow, the longer it will last. Woods that are stained or painted should be sanded and re-stained or repainted as needed to protect the elements from penetrating the surface. Wood left in direct contact with wet surfaces will quickly become saturated and rot. When wood does get wet, dry it off as quickly as possible.

It's also important to place your outdoor wood furniture on a surface where water won't pool. A patio or deck is an ideal spot, and you should consider paving stones or a bed of rocks for wood furniture out in the garden. Wood left in direct contact with wet surfaces will quickly become saturated and rot. When wood does get wet, dry it off as quickly as possible or leave it out in the sun to dry.

Frequently exposed to harsh conditions or damp surfaces, wood furniture will begin to show signs of wear and deterioration. Signs of damage may include checking (cracking or splitting), swelling, rotting, and discoloration. In addition to protective covers and off-season storage, you can further prevent this type of damage by keeping woods well-hydrated with products like linseed oil. Saturate your furniture with the oil several times per year. Well-oiled wood will be better-protected from the elements and will retain its color and smooth surface longer. Woods that are stained or painted should be sanded and re-stained or repainted as needed to protect the elements from penetrating the surface.

Take time to learn more about how your particular type of wood tends to weather. Some woods, like pine, will require frequent staining or oiling, while a wood like cedar has natural oils that make it resistant to cracking and moisture rot. Woods like teak will turn a silver grey when left untreated, and many outdoor wood furniture owners look forward to this transformation.

Finally, dirt build-up leads to deterioration, so keeping your outdoor wood furniture clean will give it a longer life. Clean it well two or three times per year with water, mild soap, and a soft cloth. (This is also the perfect time for a periodic hardware check.) We recommend using a product specifically designed for cleaning wood furniture. Hose it down before you start to remove cobwebs and caked-on dirt. Do not use abrasive cleaners, bleach, or scouring products that will affect the finish. Dry the furniture thoroughly when done. Poolside furniture should be hosed down after each use to minimize chlorine damage.