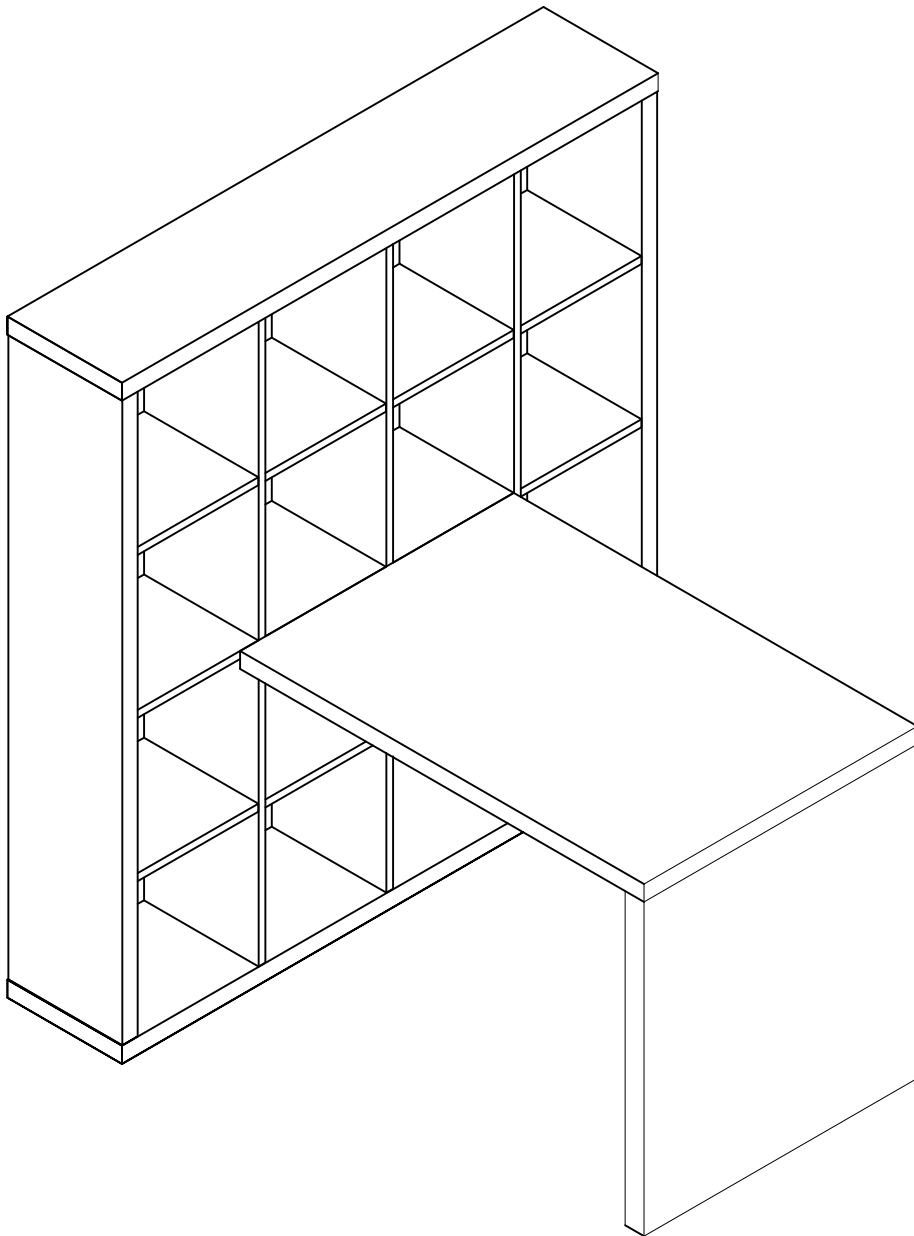


ITEM NAME:[16-CUBE SHELF WITH DESK]

SKU:[STIP008-1/STIP008-2/STIP008-3/STIP009-1/STIP009-2/STIP009-3]



For assistance with assembly, please contact
Hayneedle Customer Care Center
1-888-880-4884

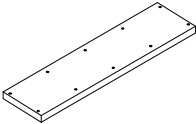
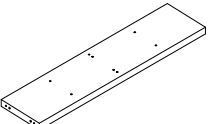
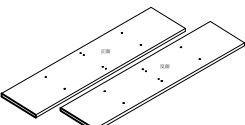
PRE-ASSEMBLY PREPARATION:


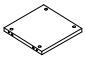



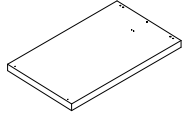
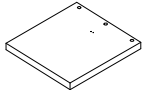
THIS PACKAGE MAY CONTAIN SMALL ITEMS WHICH SHOULD BE KEPT AWAY FROM CHILDREN

- .Please check that all parts and hardware are included before beginning assembly.
- .Save all packing materials until assembly is complete to avoid accidentally discarding smaller parts or hardware.
- .Read through the preparation and assembly instructions in full before beginning assembly.
- .Please use **CAUTION AND CARE WHEN LIFTING** the product to avoid personal injury and (or) damage to the product.
- .The following additional tools are required for assembly: [INSERT LIST OF ADDITIONAL TOOLS, NOT PROVIDED IN HARDWARE PACKAGE]
- .For ease of assembly, two adults are recommended.

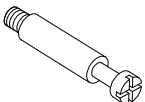

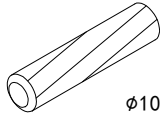
PANEL AND FITTINGS IDENTIFICATION:

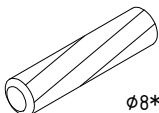
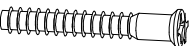

A		2PCS
B		2PCS
C		3PCS



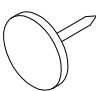
D		3PCS
E		1PCS
F		8PCS

G		1PCS
H		1PCS

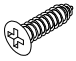
HARDWARE LIST:

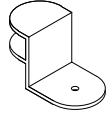
1		19PCS
2		19PCS
3	 ø10*40	10PCS

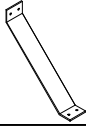
4	 ø8*40	42PCS
5		20PCS
6		3PCS

7		16PCS
8		10PCS
9		8PCS

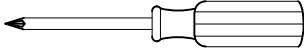
HARDWARE LIST:

10		16PCS
----	-----------------------------------------------------------------------------------	-------

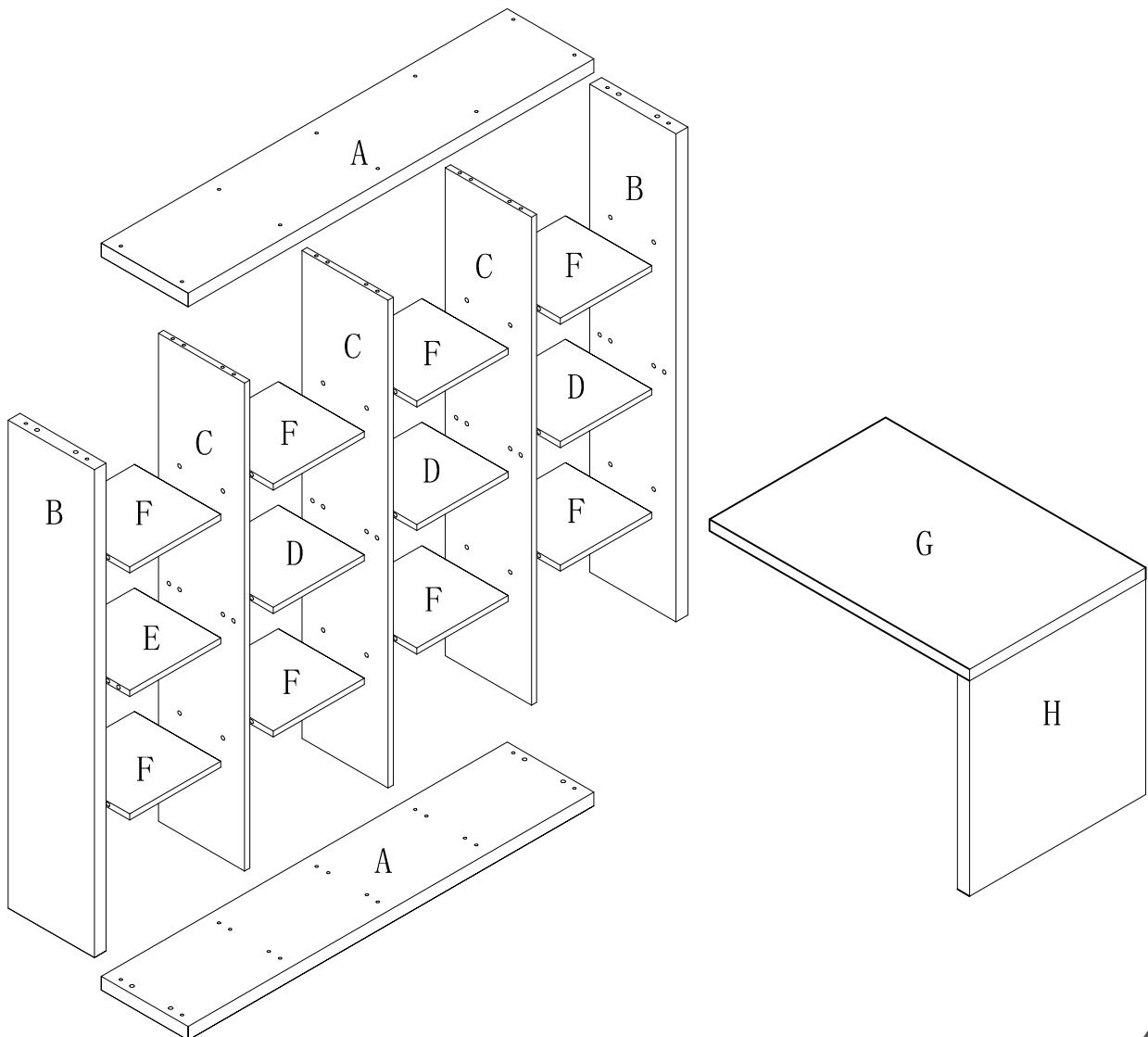
11		2PCS
----	-----------------------------------------------------------------------------------	------

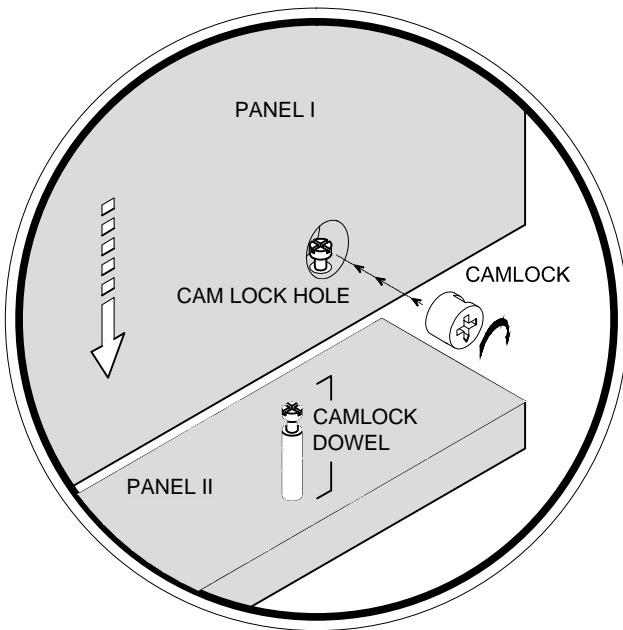
12		1PCS
----	-------------------------------------------------------------------------------------	------

TOOLS REQUIRED:



STRUCTURAL DIAGRAM:





STEP 1: Insert Cam Lock into the cam lock hold of Panel I. Cam lock arrow should be pointing towards the cam lock dowel insertion hole.

STEP 2: Insert the cam lock dowel into Panel II.

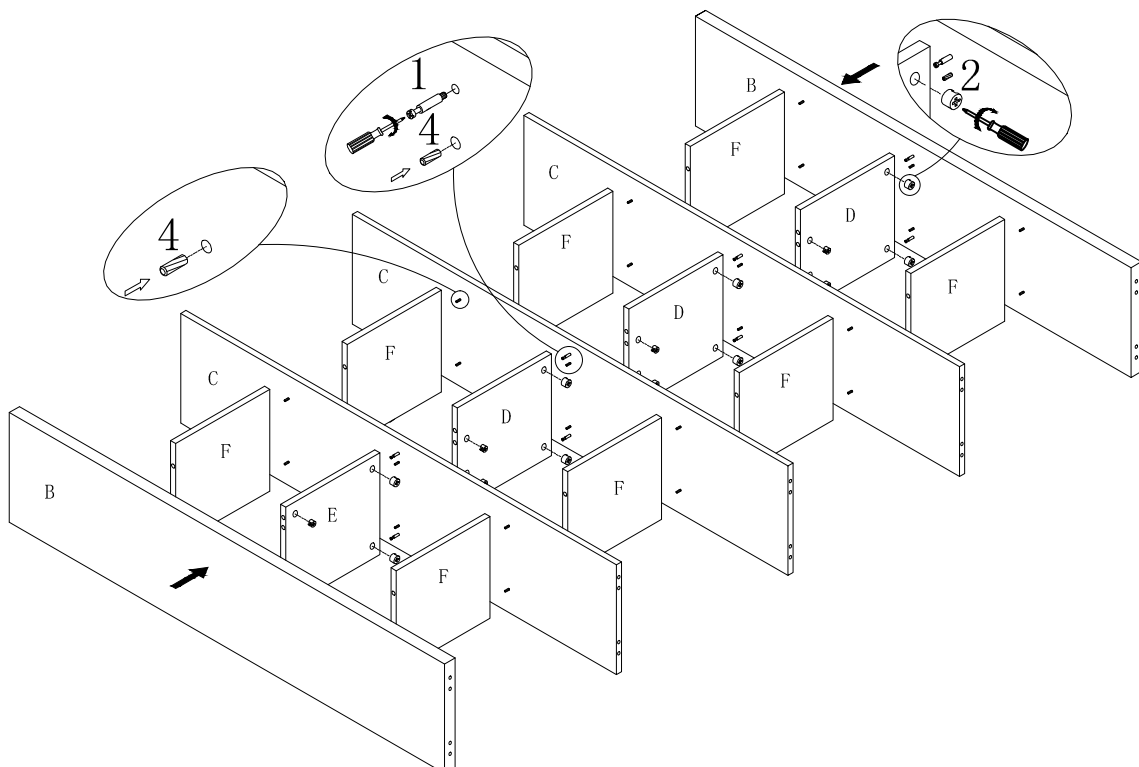
STEP 3: Connect Panel I and Panel II by inserting the cam lock dowel through the hole to which the cam lock arrow is pointing.

STEP 4: Press panel I and Panel II together.

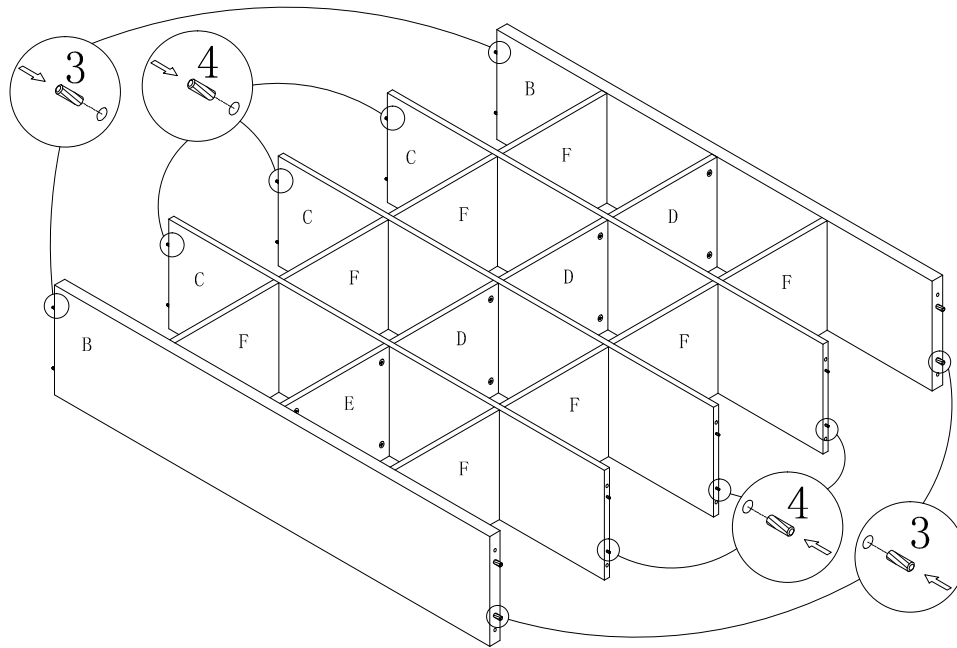
STEP 5: Lock panels together by turning cam lock clockwise using a screwdriver. The cam lock and dowel should make a click sound, indicating they are locked together.

STEP-BY-STEP ASSEMBLY:

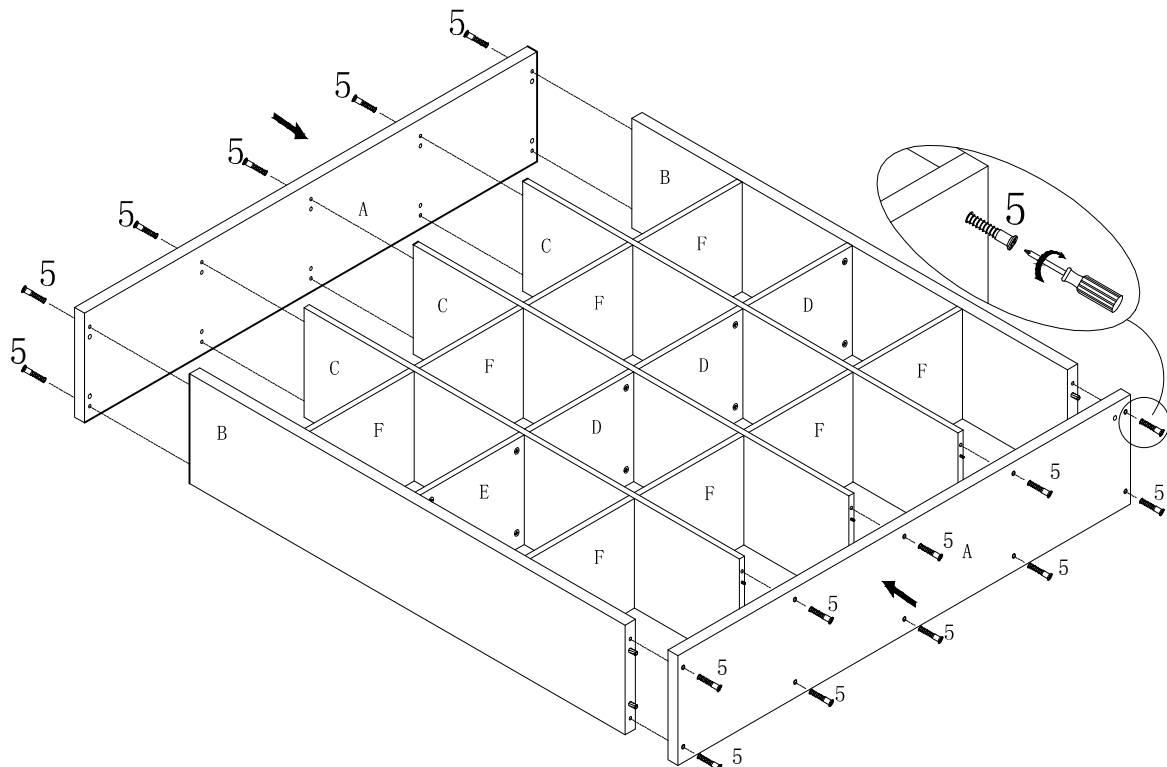
STEP 1:



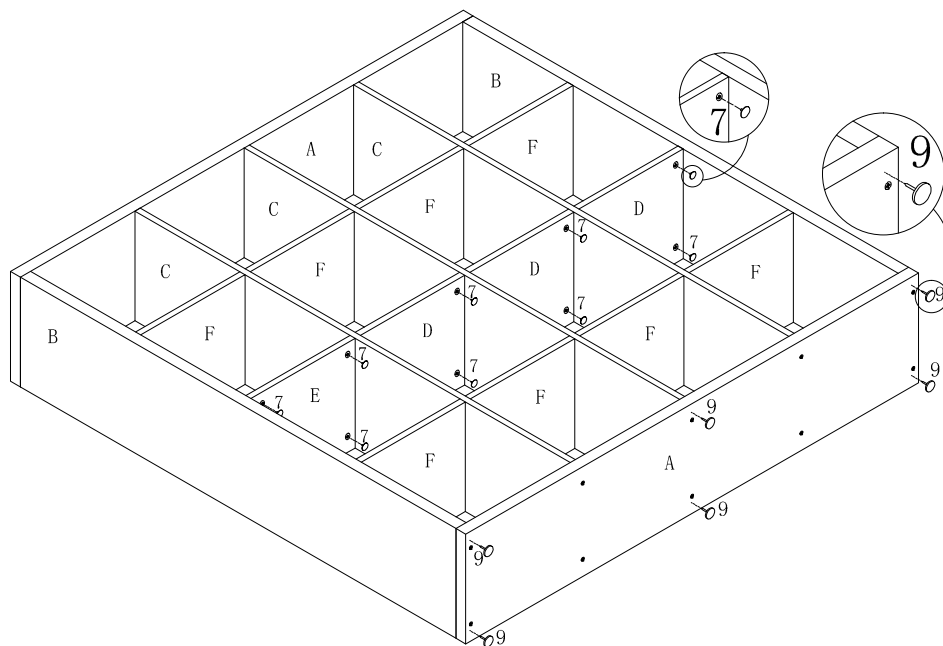
Step 2:



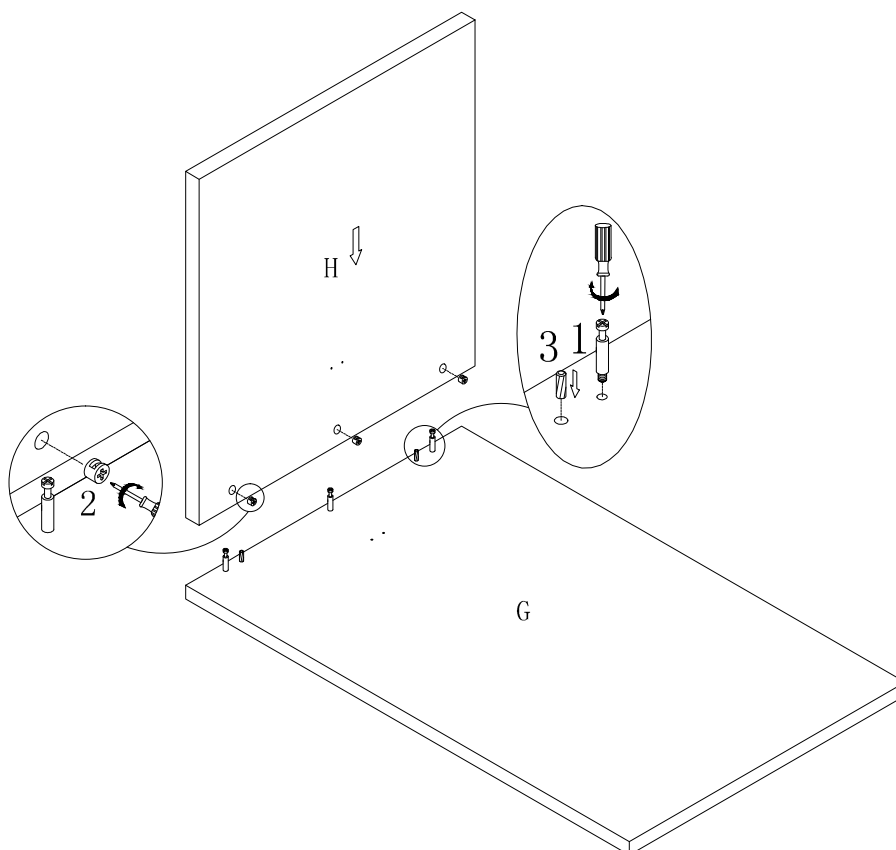
Step 3:



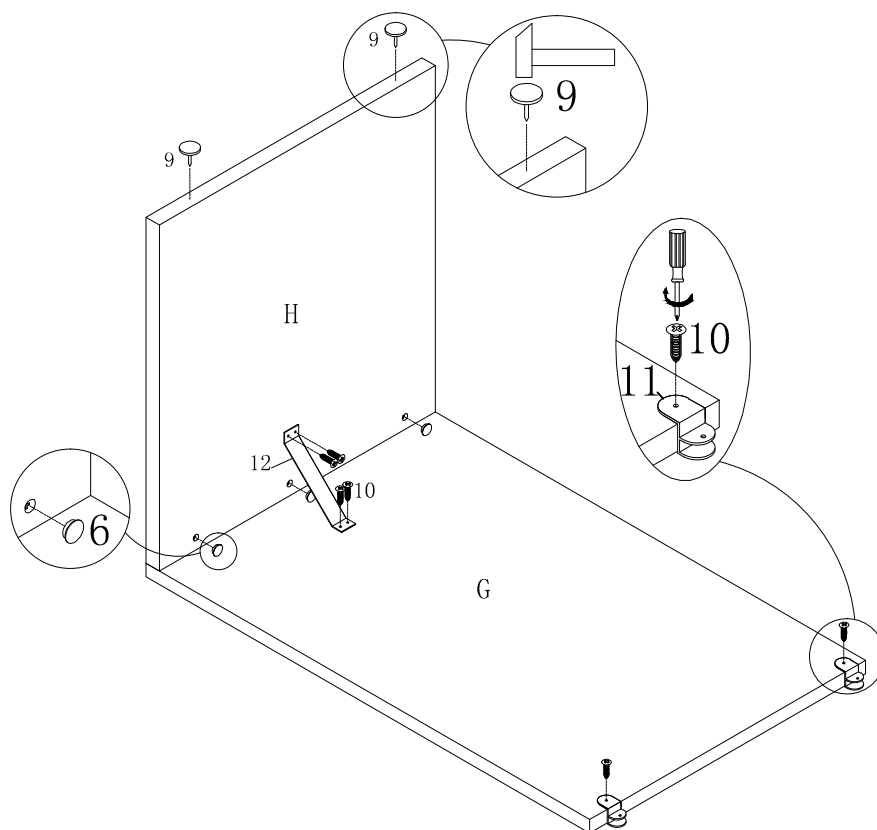
Step 4:



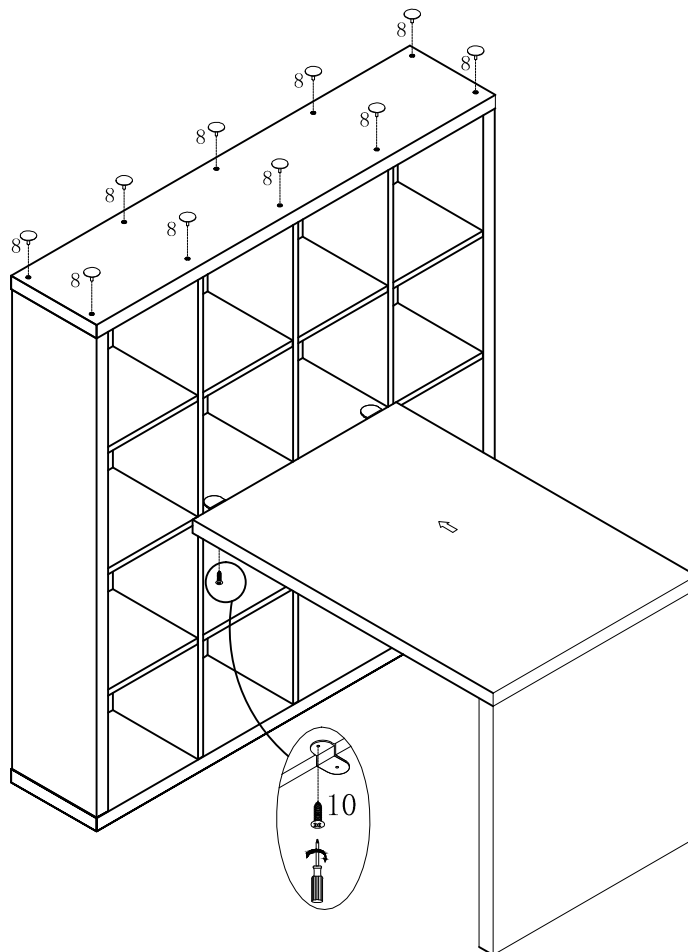
Step 5:



Step 6:




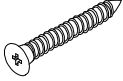


Step 7:

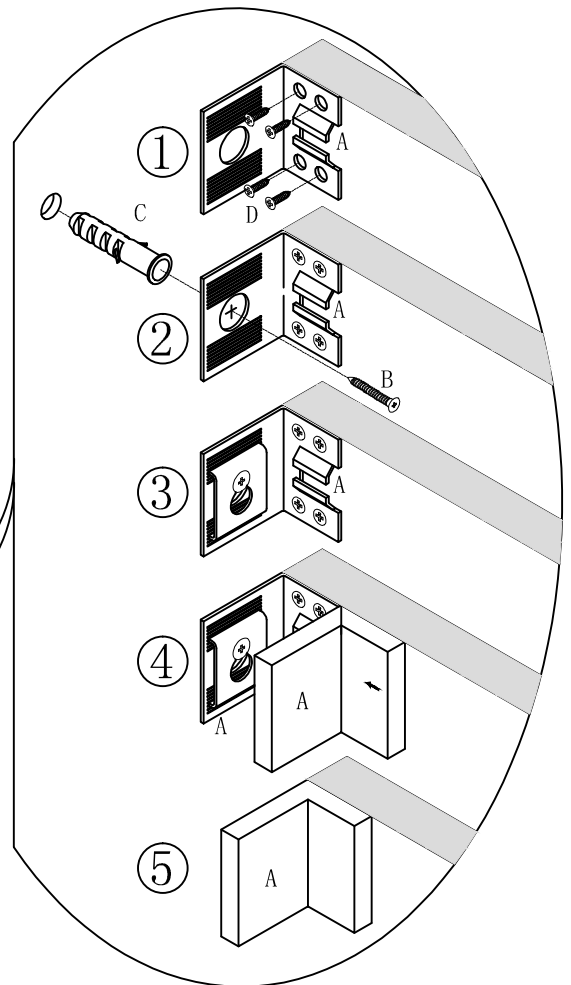
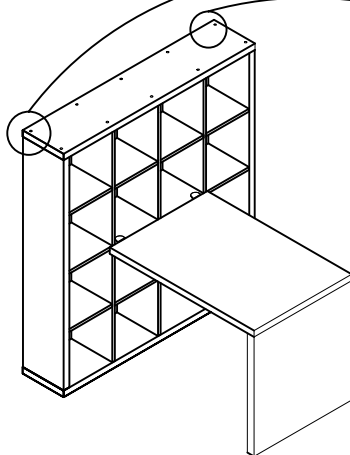


ANTI-TIP RESTRAINT ASSEMBLY INSTRUCTION

Anti-tip Restraint is **REQUIRED** in order to complete construction of this product. When properly installed, this hardware can provide protection against the unexpected tipping of furniture.

ANTI-TIP RESTRAINT PARTS LIST:

	Parts descriptions	Parts image	QTY
A	Wall Brackets		2PCS
A	Long screw		2PCS
A	Plastic screw anchor		2PCS
A	Short screws		8PCS



ASSEMBLY INSTRUCTIONS:

STEP 1 : Assemble hardware (A) to the side panel by short screws (D).

STEP 2: Pre-drill a hole on the wall. Put the Plastic screws Anchor (C) into the Hole on the wall. Then, Assemble the hardware (A) onto the Plastic anchor (C) by Long screws (B).

STEP 3: Complete the assembly of Hardware (A) like drawing.

STEP 4: assembly the plastic cover of (A) onto the hardware (A)

STEP 5: Finish assembly for all parts of the products like drawing step 5.

Thanks for your purchase