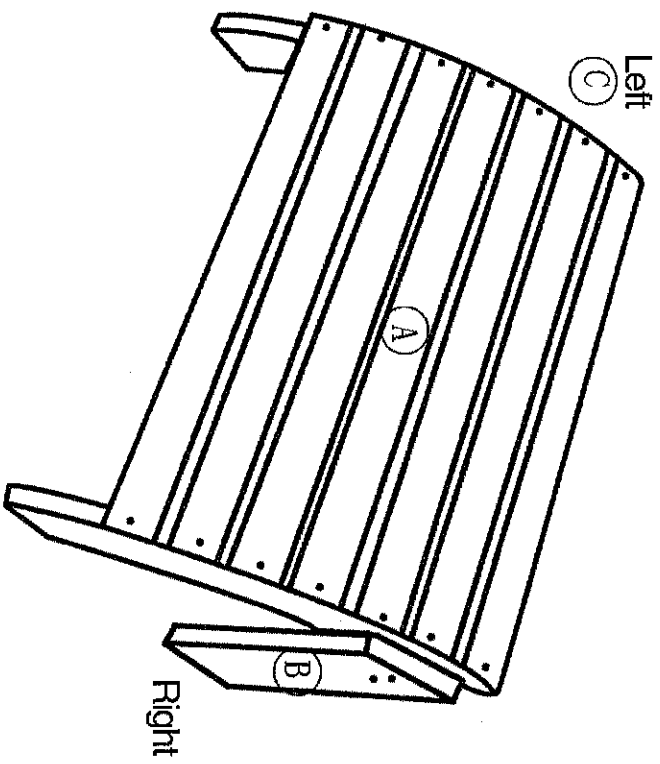


How To Assemble Your Ottoman

TOOLS NEEDED: Philips screwdriver, power drill optional



Step 1. Attach both (B) & (C) Front Legs to (A) Top Panel using 4 (6 x 45 ^m/_m) bolts.

Step 2. Tighten all bolts and screws. Enjoy your ottoman!

PIECES INCLUDED:

*Extra hardware may be included

