



Sunset Trading[®]

a div of Sunset Furniture Intl,LLC

11 Delta Dr
Londonderry NH 03053
877-364-8464

Pls Check to make sure you will have all parts otherwise contact local retailer or Sunset Trading customer service at 877-364-8464

Thank you for purchasing this Quality product. It has been engineered for easy assembly yet constructed for durability. Please take the time to read and follow the instruction while assembling.

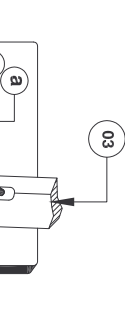
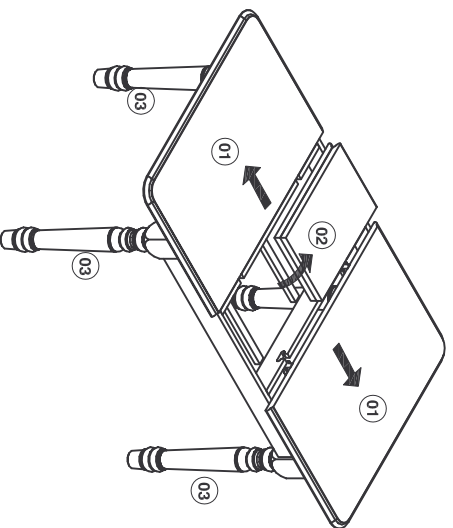
ASSEMBLY INSTRUCTIONS

Butterfly Dining Table

36"W x 48"-60" L (12" Leaf) x 29-5/8" H

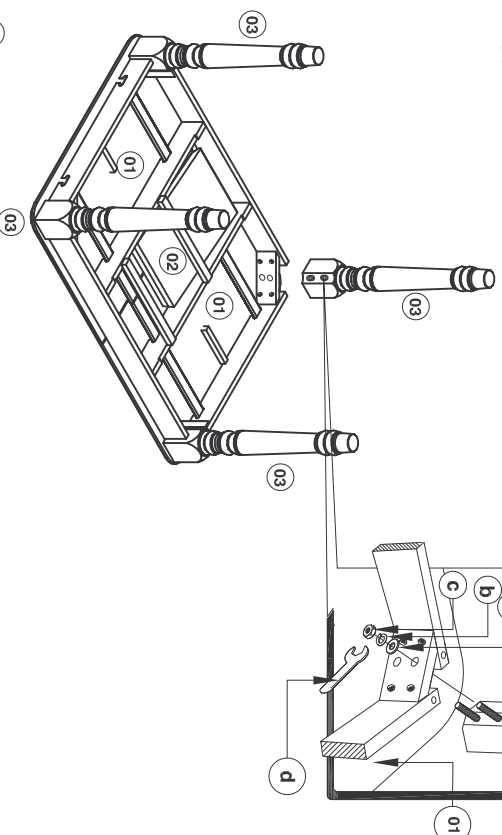
Model : SUN-TLB-3660

Step 1 Turn the underside of the table top (01) over and place it on a clean and smooth surface such as a rug or carpet to avoid the table top from being scratched.

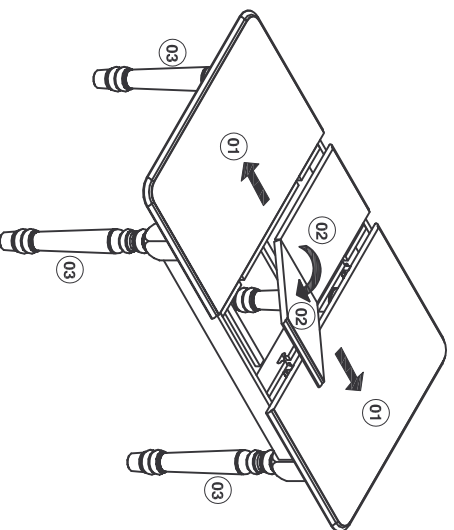


Step 2 Fix the turned leg (03) to the corner of the apron with the Flat washer (a), Spring washer (b) and Hex nut (c) using the spanner (d) to tighten it.

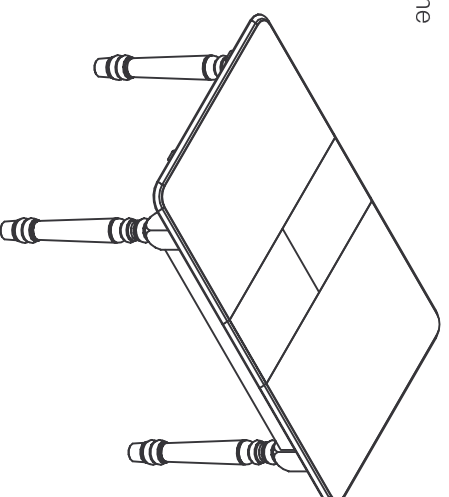
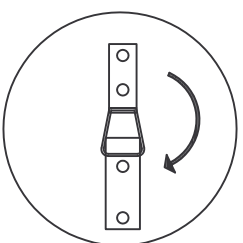
Step 3 Repeat the same step to the other three legs.



Step 4 Turn the assembled table over carefully, pull the Table Top (01) to both 2 sides then lift up the center leaf (02) from the compartment and turn the center leaf (02) to open lie on apron



Step 6 Open the table lock under the table top (01) to the center leaf (02) and lock it.



Step 5 Push the side Center Top (01) and both end close to the Table leaf (02) until it leaves no empty spaces.

LIST OF PARTS FOR 1 SET			
Code	Figure	Description	Qty.
01		TOP TABLE	1 PC.
02		CENTER LEAF	1 PC.
03		LEGS TABLE	4 PCS.
LIST OF HARDWARES FOR 1 SET			
Code	Figure	Description	Qty.
a		FLAT WASHER	8 PCS.
b		SPRING WASHER	8 PCS.
c		Hex NUT	8 PCS.
d		KEY WRENCH	1 PC.

⚠ Important Notes

- Keep all parts out of from reach of children.
- Must tighten screws periodically, with use screws will become loose. Check tightness of all screws every 6-8 weeks.
- Do not attempt to repair or modify parts that are broken or defective. Please contact the store immediately
- Do not tighten all screw / bolt until all completely assembled.