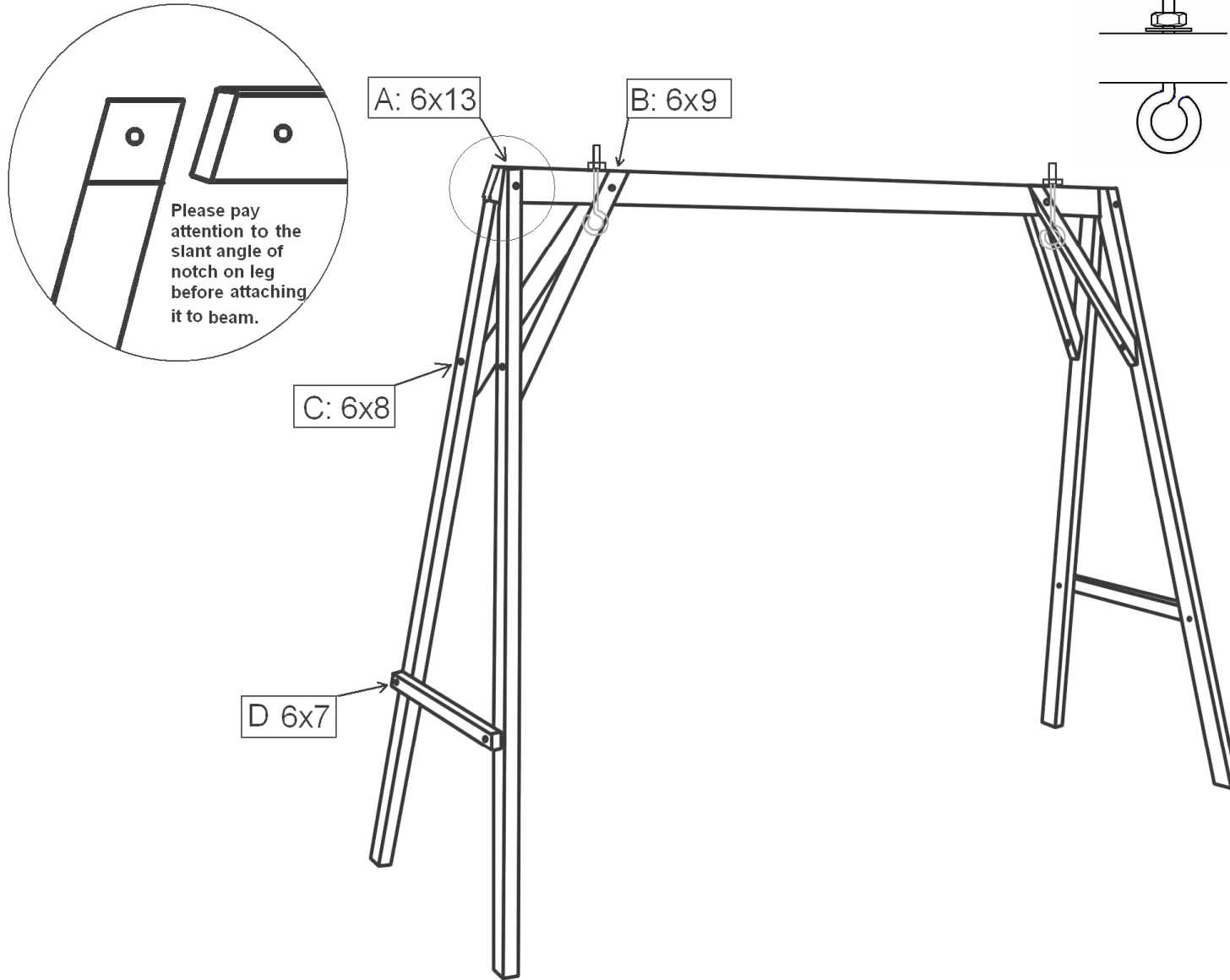


Swing Stand Assembly



Tools needed: Allen Key, Wrench

- Bolt A: 6x13 cm - 2 pcs
- Bolt B: 6x9 cm - 2 pcs
- Bolt C: 6x8 cm - 4 pcs
- Bolt D: 6x7 cm - 4 pcs
- Eye hooks: - 2 sets

- Step 1: Attach two legs to the beam with bolt A. Pay attention to slant angle of notch on the leg before attaching it to beam. Fasten bolt A with nut
- Step 2: Fasten bolt B and C with nut
- Step 3: Fasten bolt D with nut
- Step 4: Repeat step 1, 2, 3 on another side.
- Step 5: Fasten eye hooks

After the swing stand has been exposed to weather for a period, it may be necessary to re-tighten the bolts and maintain the swing stand with furniture oil or PAINT.