

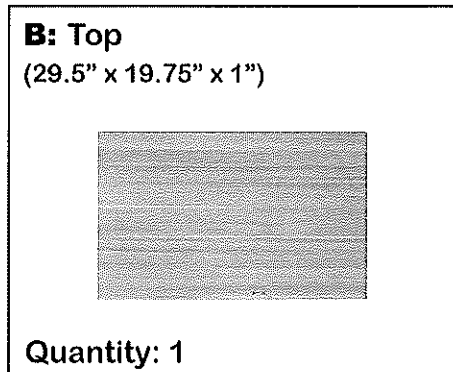
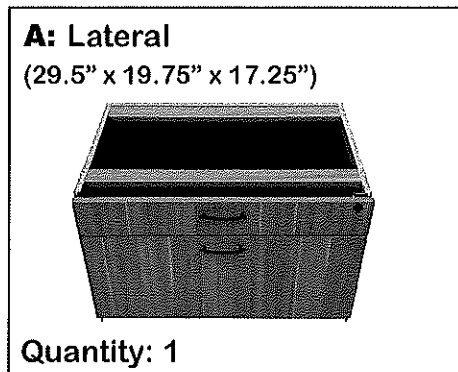
REGENCY

Low Box File Lateral • SPLF3020 • INSTRUCTIONS CARTONS: SPLF3020, STT3020

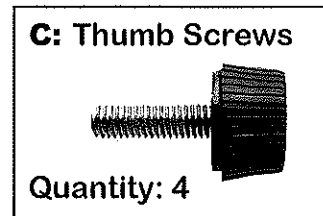
Organize your parts and hardware. You will need (2) people, a Phillips head screwdriver and a rubber mallet.



Parts :



Hardware :



IMPORTANT NOTICE:

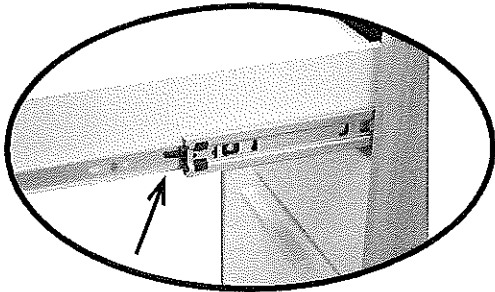
Place all wooden parts on a clean and smooth surface such as a rug or carpet to avoid the parts from being scratched.
Check to be sure that you have all parts and hardware.
Remove all wrapping materials, including staples & packing straps before you start to assemble.
Do not tighten all screws/bolts until completely assembled.
Keep all hardware parts out of reach of children.

Any problems or questions call Regency Office Furniture at 1-866-816-9822

REGENCY

Low Box File Lateral • SPLF3020 • INSTRUCTIONS
CARTONS: SPLF3020, STT3020

STEP 1 : Release the box drawer from the track by fully extending the slides and lifting up slightly. Then, pull out the box drawer and find the black tabs at the end of the suspension. Lift one side up and press the other side down simultaneously and pull the drawer out. This will unlock the drawer and release it.



STEP 2 : Attach Top(B) to Lateral(A) with 4 Thumb Screws(C). Replace File Drawers and attach Handles(K).

