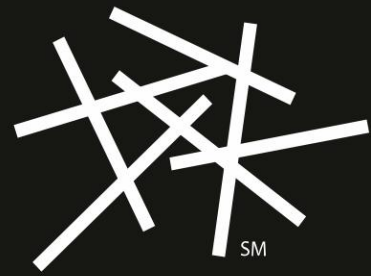
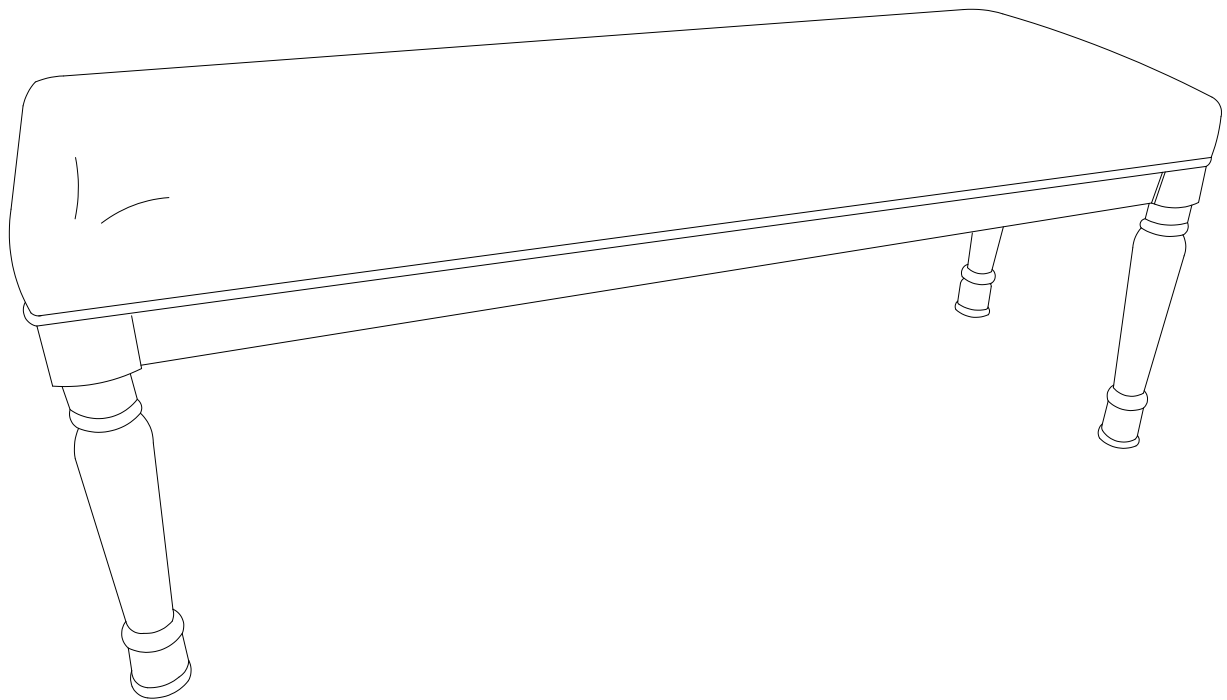


hayneedle



ITEM NAME: Belham Living Phoenix Bench

SKU: REDU234



For assistance with assembly, please contact Customer service

1-888-880-4884

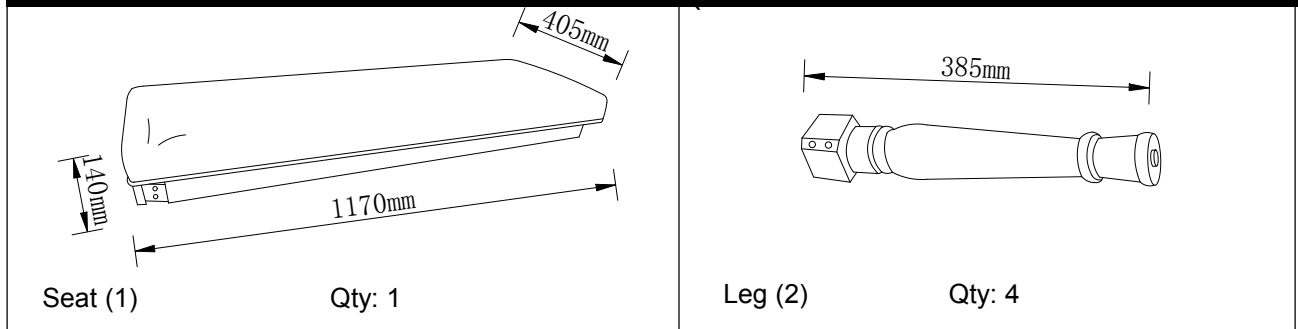
PRE-ASSEMBLY PREPARATION:



DO NOT LET CHILDREN PLAY IN OR AROUND THE UNIT DUE TO THE POSSIBLE RISK OF FINGER ENTRAPMENT

- Please read through this instruction before beginning assembly.
- Two adults assembly is recommended.
- Clear out the space for assembly and lay out all parts base on Parts List, extra room will allow you to easily determine if all the pieces are present.
- Save all packing materials until assembly is complete to avoid accidentally discarding smaller parts or hardware.
- Keep small parts and pieces away from children until fully assembly.
- Please check for any loose screws and tighten them before you use.

PANEL AND FITTINGS IDENTIFICATION:

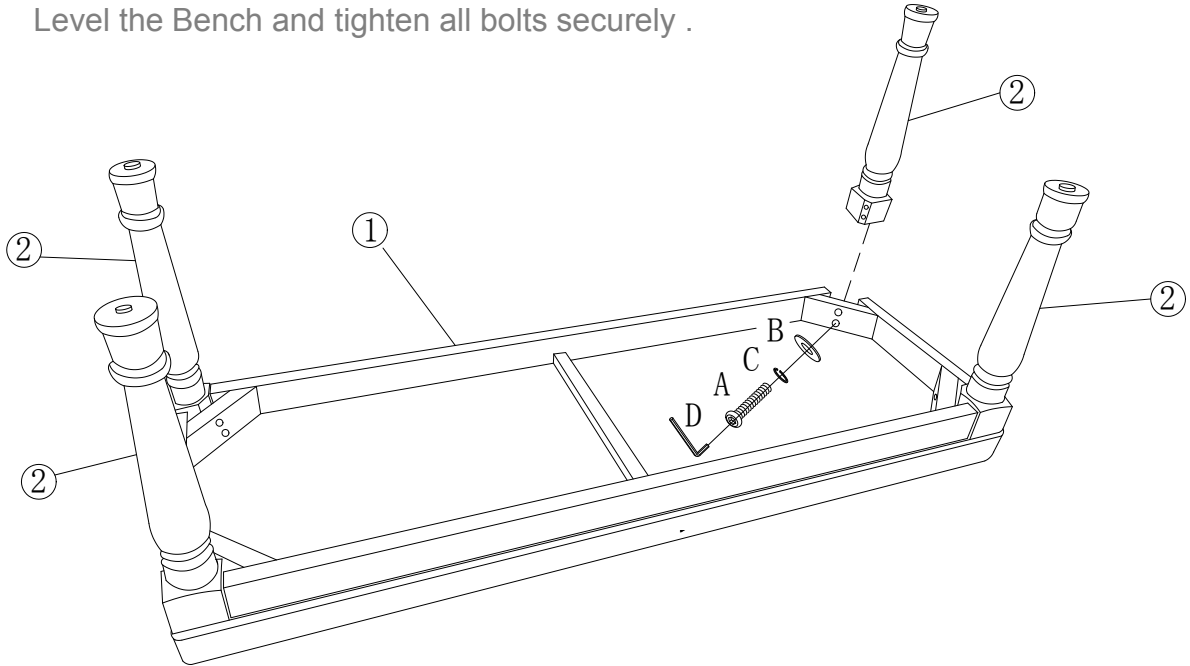


HARDWARE LIST:Scaled to Actual Size :

<p>Bolt (A) Qty: 8</p>	<p>Flat Washer(B) Qty: 8</p>	<p>Spring Washer(C) Qty: 8</p>	<p>Allen Key (D) Qty:1</p>

STEP BY-STEP ASSEMBLY:

- STEP 1:** Attach the Legs (2) to the Seat (1), Using Bolts (A), Spring Washers (C) and Flat Washers (B), tighten with Allen Key(D).
Level the Bench and tighten all bolts securely .



MAINTENANCE AND CARE TIPS:

- Check and re-tighten screws/blots after the product has been used for a period of time.
- Dust with a soft cloth moistened with a polish,as the polish will help eliminate the scratching that occurs with dry dusting.
- Soap and water are not advisable for wood surfaces.
- It is best to keep your furniture in a climate controlled environment.Extreme temperature and humidity changes can cause warping,shrinking and spitting of wood.It is advised to keep furniture away from direct sunlight as it may damage the finish.
- Do not stand on the unit as it with a soft surface to load the weight of body.