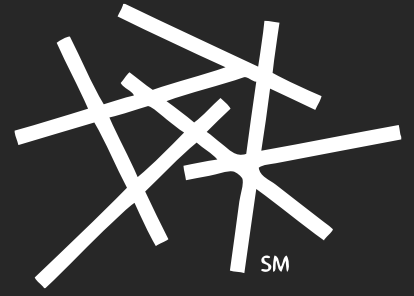
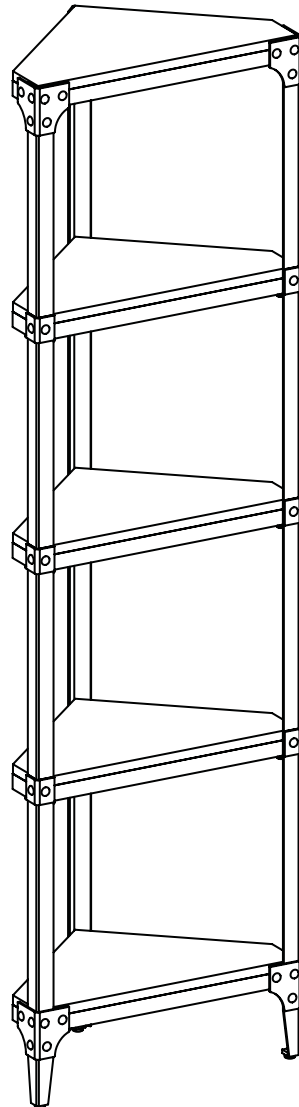


# hayneedle



ITEM NAME: Belham Living Trenton Corner Bookcase  
SKU: REDU209-1



For assistance with assembly, please contact customer service  
1-888-880-4884

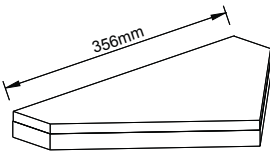
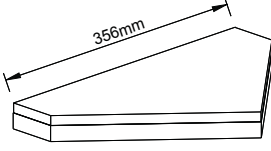
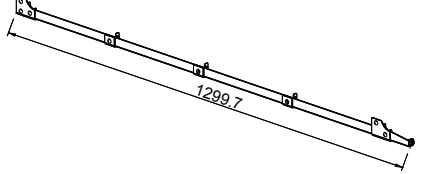
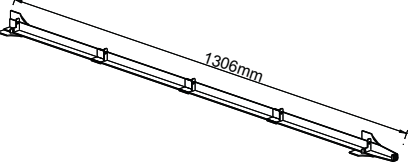
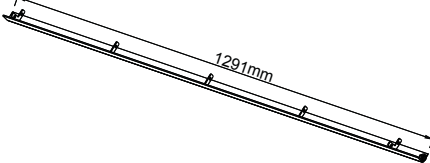
## PRE-ASSEMBLY PREPARATION:



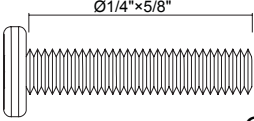

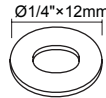

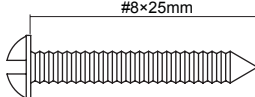
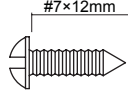

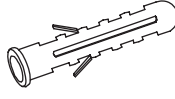
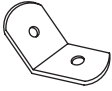

DO NOT LET CHILDREN PLAY IN OR AROUND THE UNIT DUE TO THE POSSIBLE RISK OF FINGER ENTRAPMENT

- Please read through these instructions before beginning assembly.
- Two adults are recommended for assembly.
- Clear out the space for assembly and lay out all parts based on Parts List, extra room will allow you to easily determine if all the pieces are present.
- Save all packing materials until assembly is complete to avoid accidentally discarding smaller parts or hardware.
- Keep small parts and pieces away from children until fully assembled.
- Please check for any loose screws and tighten them before you use.

## PARTS IDENTIFICATION:

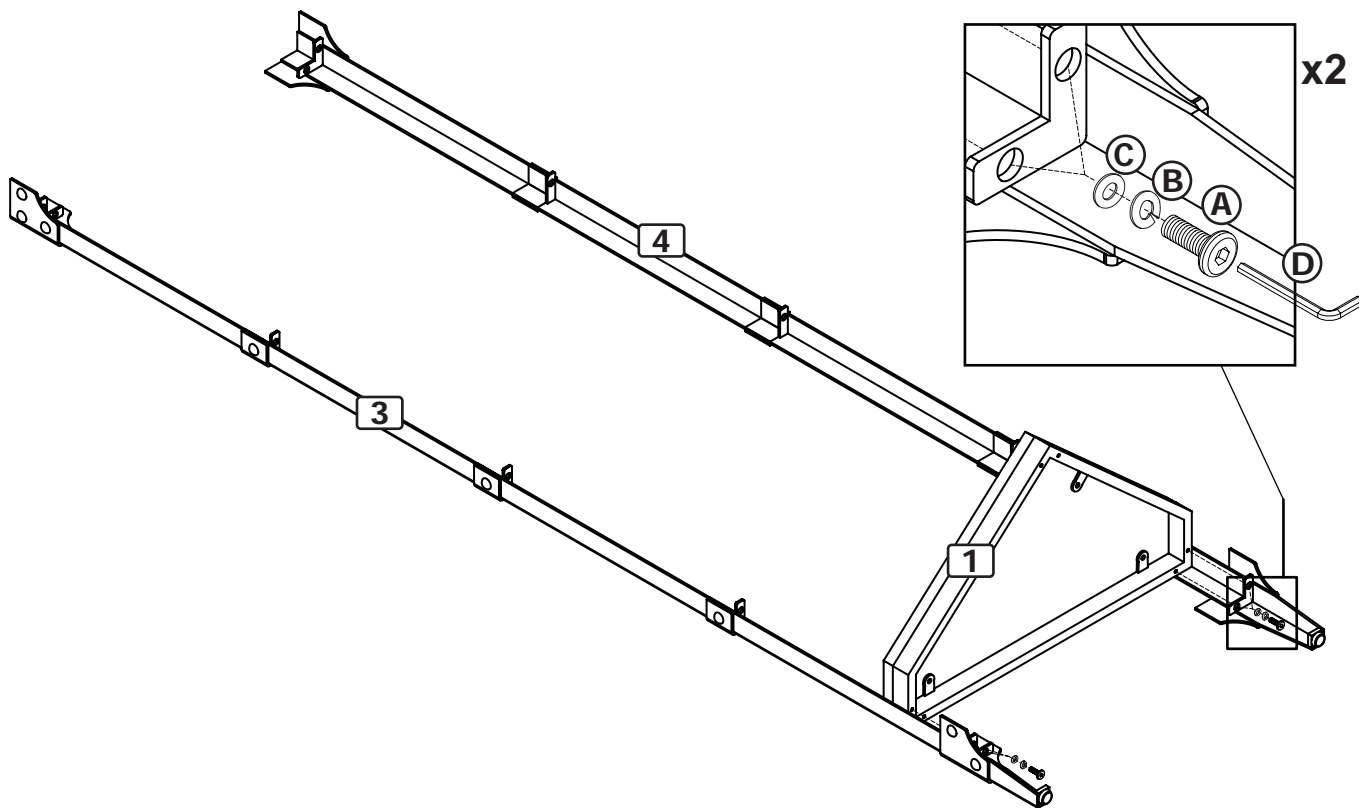
 <p>Top and Bottom Panel (1) Qty:2</p>	 <p>Shelf (2) Qty:3</p>	 <p>Right Leg (3) Qty:1</p>
 <p>Left Leg (4) Qty:1</p>	 <p>Back Leg (5) Qty:1</p>	

## HARDWARE LIST:

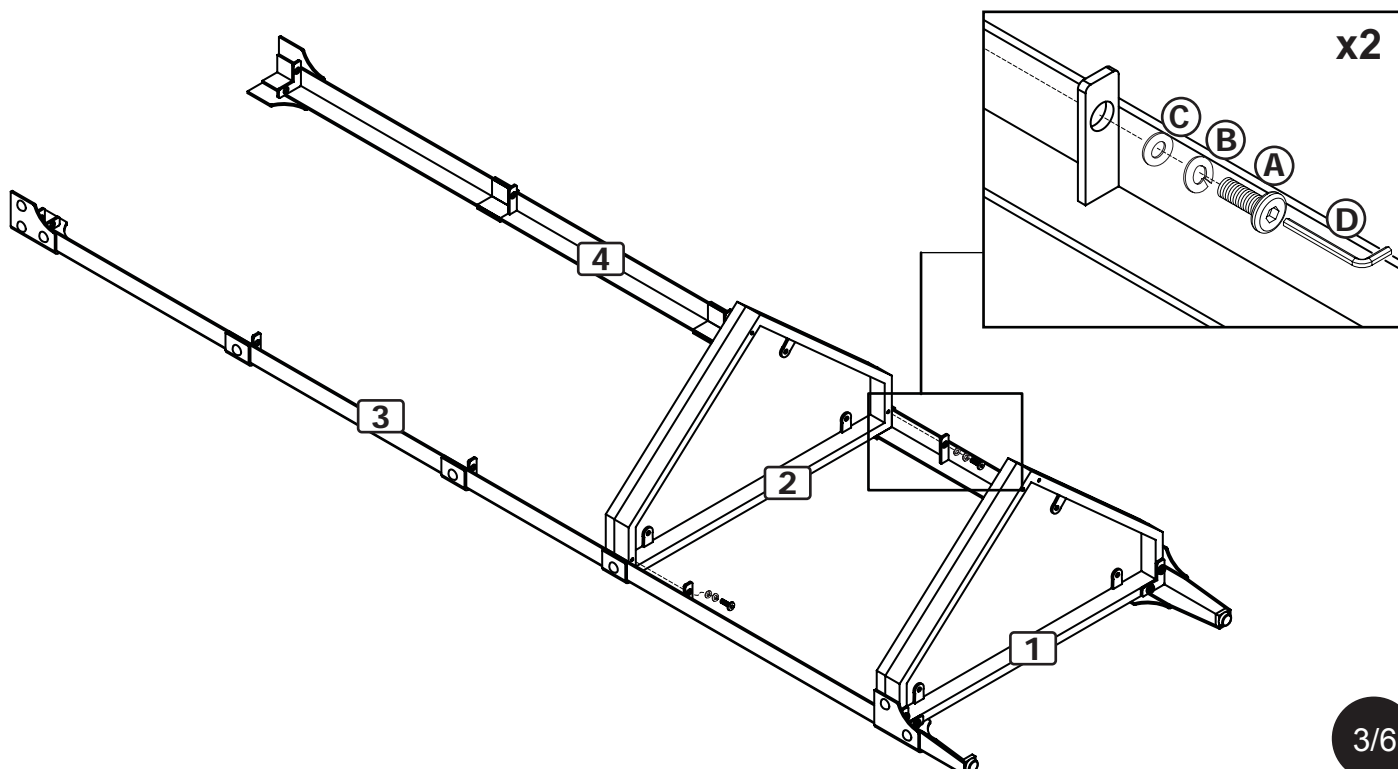
 <p>Bolt (A) Qty:21</p>	 <p>Spring Washer (B) Qty:21</p>	 <p>Flat Washer (C) Qty:21</p>
 <p>Allen Key (D) Qty:1</p>	 <p>Screw (E) Qty:1</p>	 <p>Screw (F) Qty:1</p>
 <p>Plastic Rope (G) Qty:1</p>	 <p>Wall Plug (H) Qty:1</p>	 <p>Bracket (I) Qty:2</p>
 <p>Phillips Screwdriver (not provided)</p>		

## STEP-BY-STEP ASSEMBLY:

- 1** STEP 1:  
Attach Right Leg (3) and Left Leg (4) to Bottom Panel (1) using Bolts (A) with Spring Washers (B) and Flat Washers (C), then tighten with Allen Key (D).



- 2** STEP 2:  
Attach Shelf (2) to Right Leg (3) and Left Leg (4) using Bolts (A) with Spring Washers (B) and Flat Washers (C), then tighten with Allen Key (D).

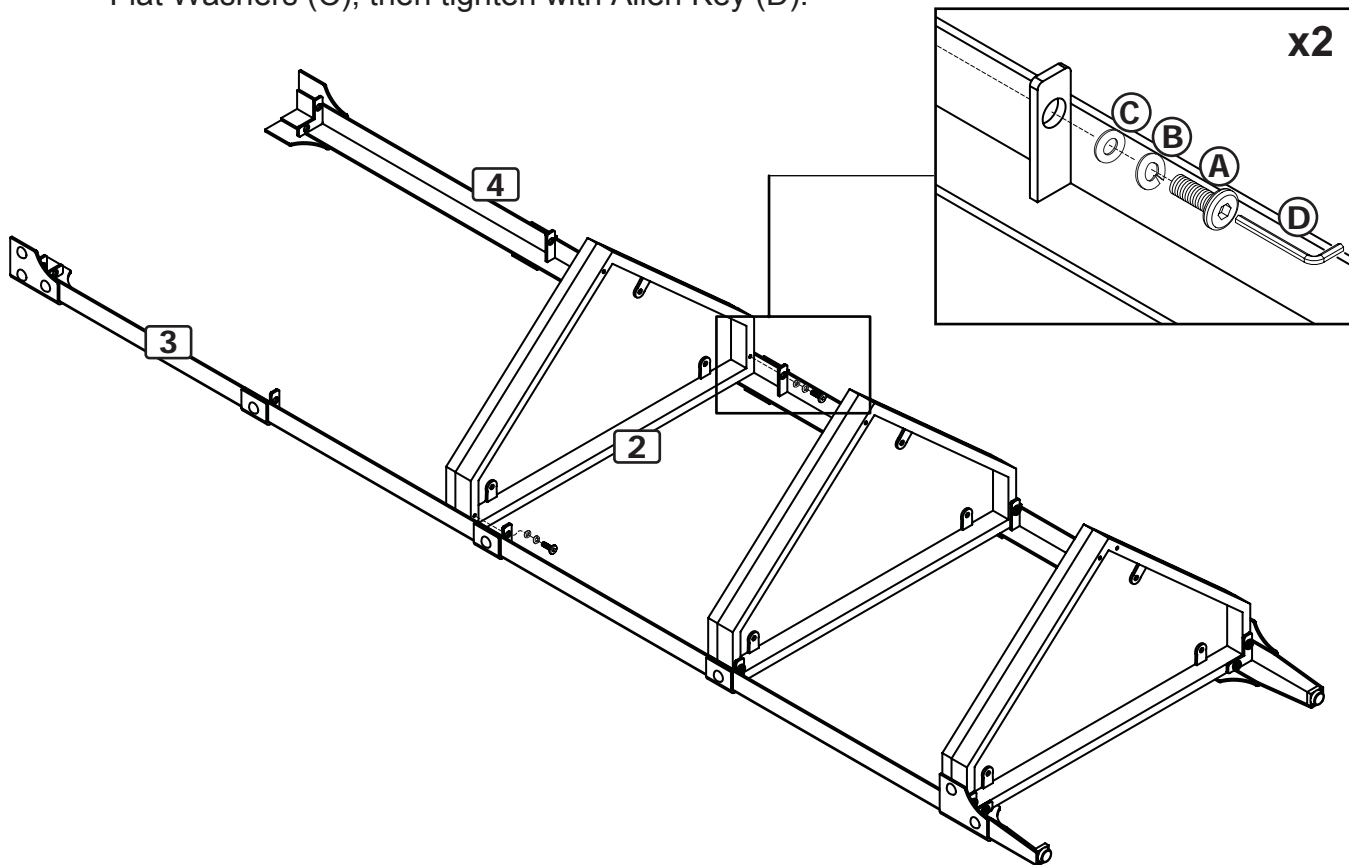


## STEP-BY-STEP ASSEMBLY:

3

STEP 3:

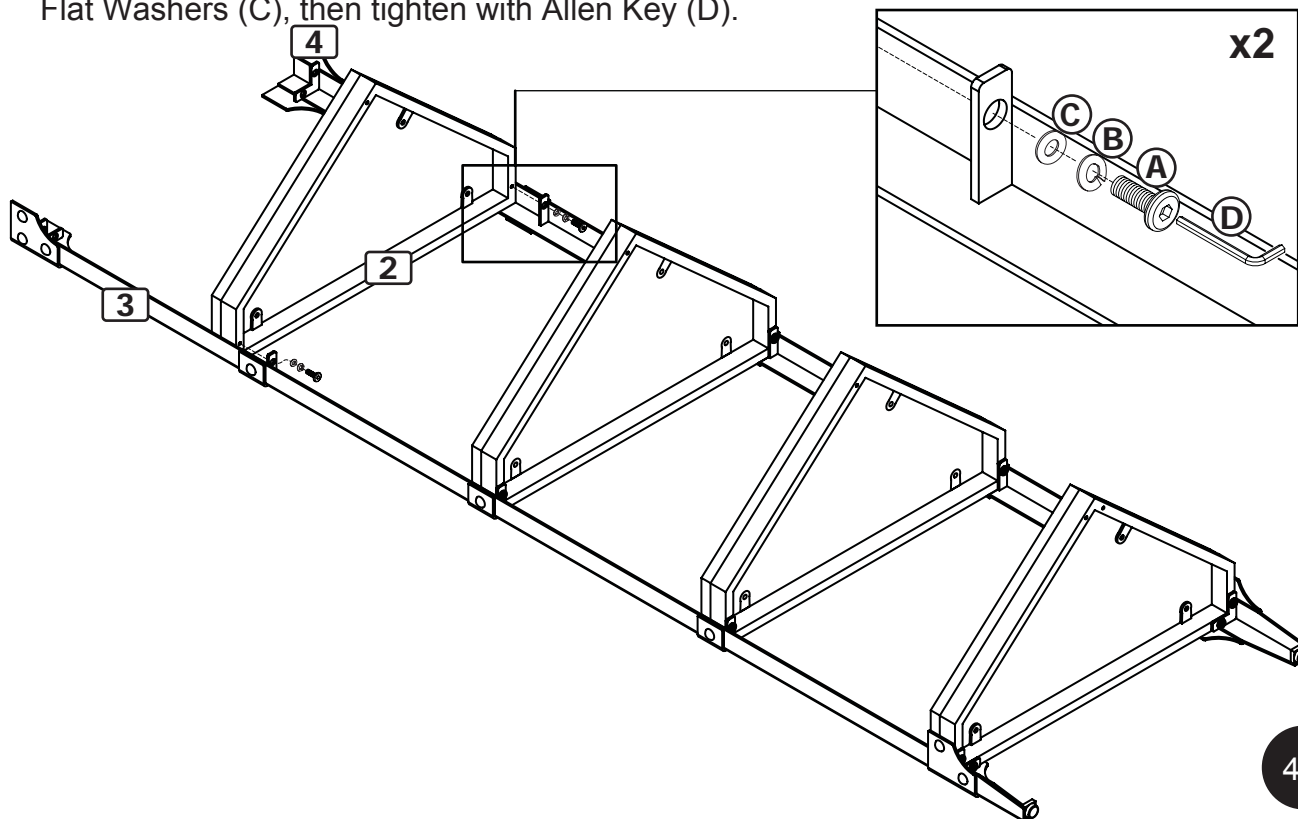
Attach Shelf (2) to Right Leg (3) and Left Leg (4) using Bolts (A) with Spring Washers (B) and Flat Washers (C), then tighten with Allen Key (D).



4

STEP 4:

Attach Shelf (2) to Right Leg (3) and Left Leg (4) using Bolts (A) with Spring Washers (B) and Flat Washers (C), then tighten with Allen Key (D).

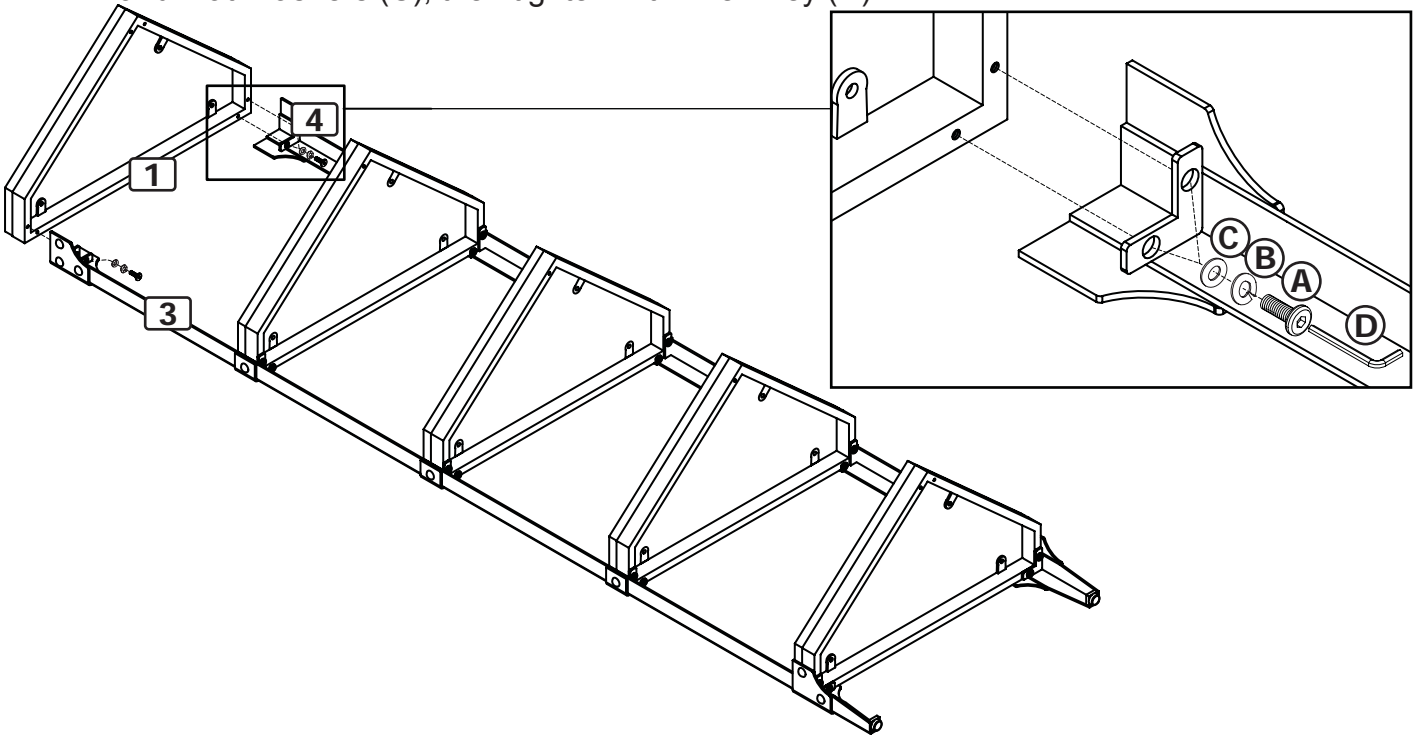


## STEP-BY-STEP ASSEMBLY:

**5**

STEP 5:

Attach Top Panel (1) to Right Leg (3) and Left Leg (4) using Bolts (A) with Spring Washers (B) and Flat Washers (C), then tighten with Allen Key (D).



**6**

STEP 6:

Attach Back Leg (5) to Top and Bottom Panel and Shelves using Bolts (A) with Spring Washers (B) and Flat Washers (C), then tighten with Allen Key (D).

