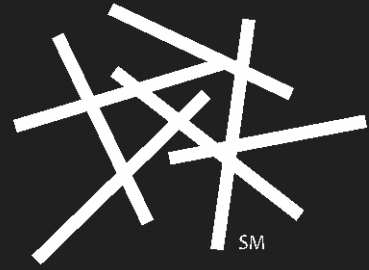
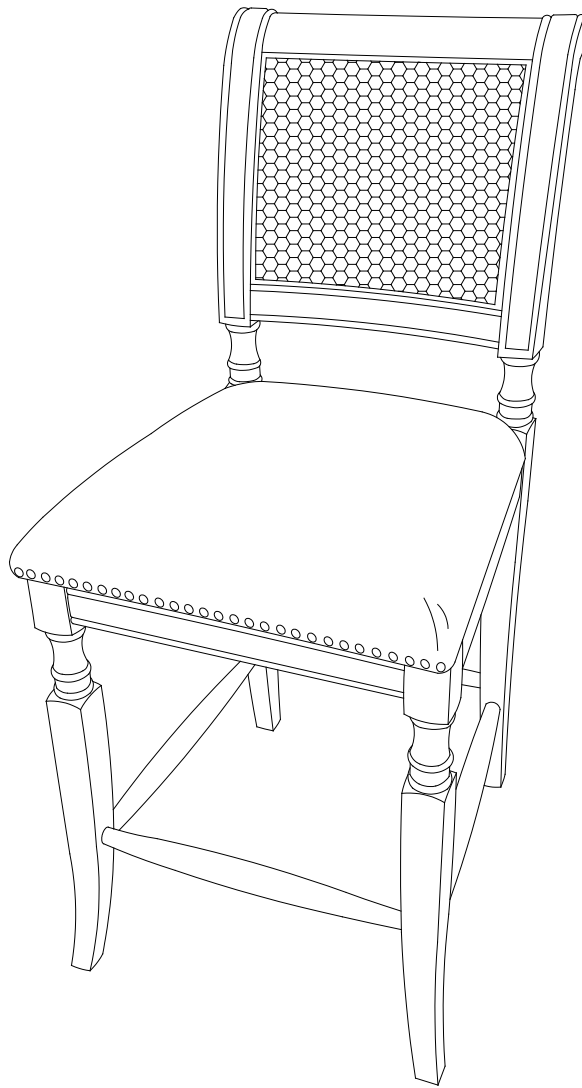


hayneedle



ITEM NAME: Belham Living 26 in. Preston Cane Back Counter
Belham Living 30 in. Preston Cane Back Bar Stool

SKU: REDU207 **SEAT HEIGHT:** 26"H
REDU208 **SEAT HEIGHT:** 30"H



**For assistance with assembly, please contact customer service
1-888-880-4884**

PRE-ASSEMBLY PREPARATION:



DO NOT LET CHILDREN PLAY IN OR AROUND THE UNIT DUE TO THE POSSIBLE RISK OF FINGER ENTRAPMENT

- Please read through this instructions before beginning assembly.
- Two adults recommended for assembly.
- Clear out the space for assembly and lay out all parts based on Parts List, extra room will allow you to easily determine if all the pieces are present.
- Save all packing materials until assembly is complete to avoid accidentally discarding smaller parts or hardware.
- Keep small parts and pieces away from children until fully assembly.
- Please check for any loose screws and tighten them before you use.

PANEL AND FITTINGS IDENTIFICATION:

 Seat (1) Qty:1	 26"H Back (2) Qty:1	 Front Bar (3) Qty:1	 Side Bar (4) Qty:2
	 30"H Back (2) Qty:1		
 26"H Left Front Leg (5) Qty:1	 26"H Right Front Leg (6) Qty:1		
 30"H Left Front Leg (5) Qty:1	 30"H Right Front Leg (6) Qty:1		

HARDWARE LIST:

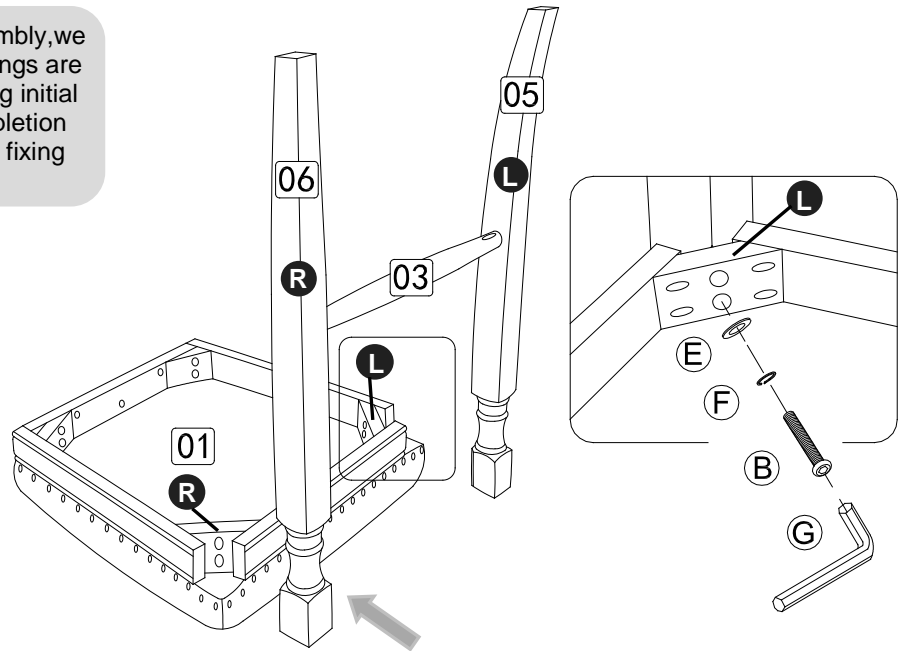
 Bolt (A) Qty:3	 Bolt (B) Qty:4	 Bolt (C) Qty:4	 Screw (D) Qty:6
 Flat Washer (E) Qty:11	 Spring Washer (F) Qty:11	 Allen Key (G) Qty:1	 Phillips screwdriver (not provided)

STEP-BY-STEP ASSEMBLY:

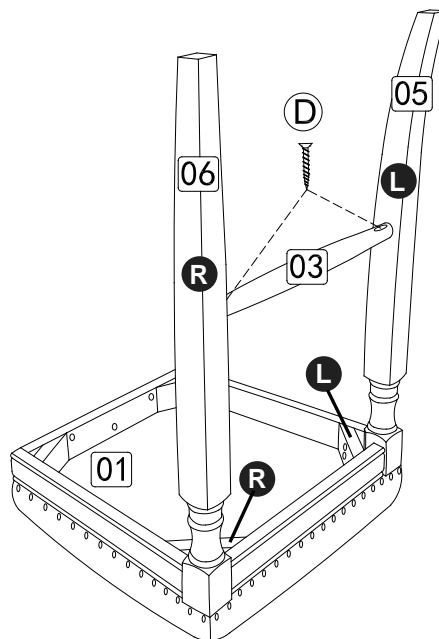
Please follow directions closely as all pieces are marked specifically and must be assembled as shown

- 1** **STEP 1:**
Pull back seat cover and insert legs into seat. Front leg 5 should be inserted into the left side marked "L" and Front Leg 6 should be inserted into the right side marked "R" as shown in below image. Insert front bar 3 between legs. Attach legs in place using bolts (B), Spring Washers (F) and Flat Washers (E).

To ensure an easier assembly, we strongly advise that all fittings are only finger tightened during initial assembly. Only upon completion of the assembly should all fixing points be fully tightened.



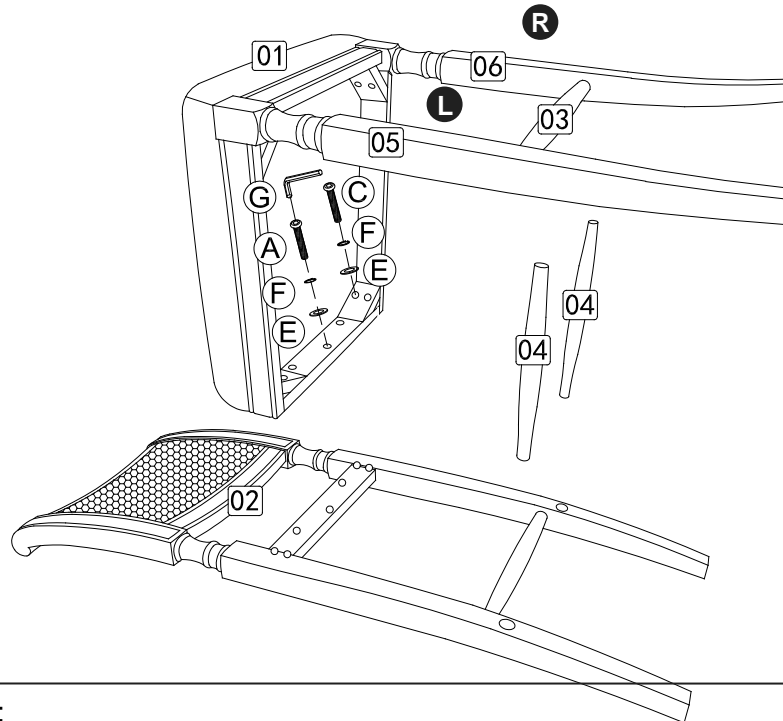
- 2** **STEP 2:**
Fix screws (D) to Front Bar (03).



3**STEP 3:**

Insert side bars (4) to chair back (2) and legs (5 and 6). Arrow stickers should point up to legs 5 and 6. Do not screw in yet.

Attach assembled seat and legs to the assembled back (2) using bolts (C) with spring washers (F) and flat washers (E) in the seat corners and bolts (A) with spring washers (F) and flat washers (E) in the center of the seat. Tighten with the Allen key.

**4****STEP 4:**

With a Phillips screwdrivers (not provided), secure side bars (4) with screws (D). Level the chair and tighten all bolts securely.

MAINTENANCE AND CARE TIPS

- Check and re-tighten screws/blots after the product has been used for a period of time.
- Dust with a soft cloth moistened with a polish, as the polish will help eliminate the scratching that occurs with dry dusting.
- Soap and water are not advisable for wood surfaces.
- It is best to keep your furniture in a climate controlled environment. Extreme temperature and humidity changes can cause warping, shrinking and spitting of wood. It is advised to keep furniture away from direct sunlight as it may damage the finish.
- Do not stand on the unit as it with a soft surface to load the weight of body.