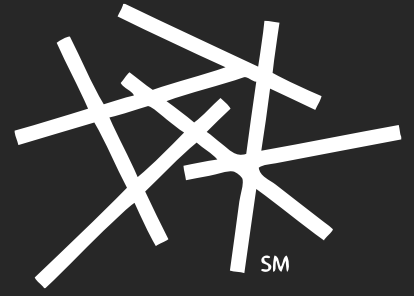
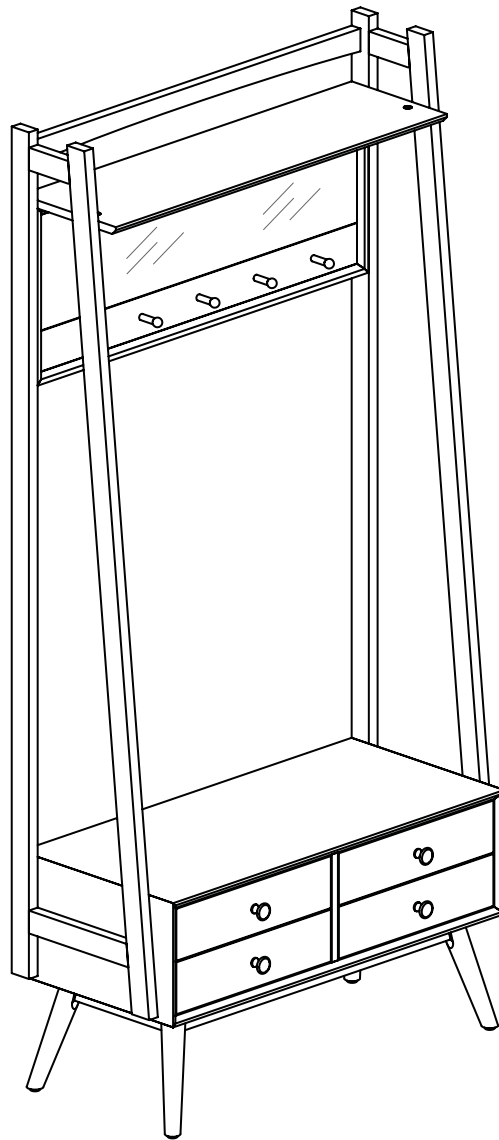


# hayneedle



ITEM NAME: Mid Century Modern Finn Hall Tree

SKU: REDU134-1; REDU134-2



For assistance with assembly, please contact customer service  
1-888-880-4884

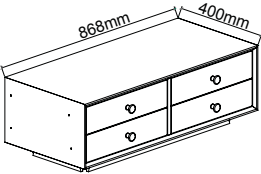
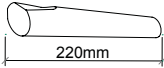
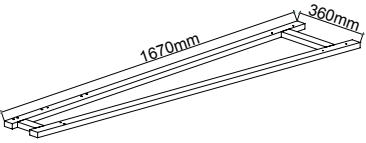
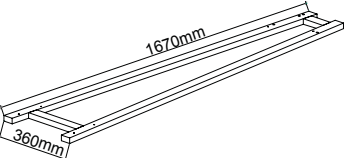
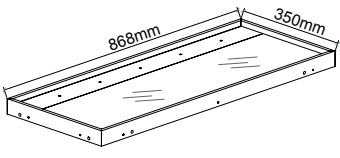
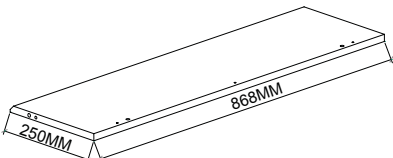
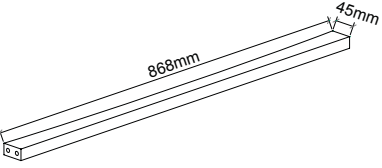
## PRE-ASSEMBLY PREPARATION:



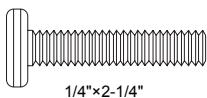
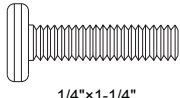
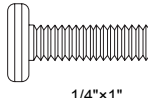

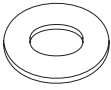

DO NOT LET CHILDREN PLAY IN OR AROUND THE UNIT DUE TO THE POSSIBLE RISK OF FINGER ENTRAPMENT

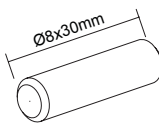
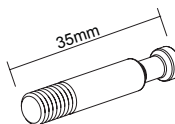
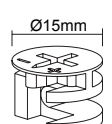
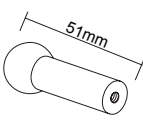
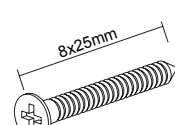


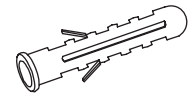
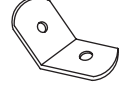
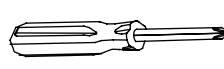
- Please read through these instructions before beginning assembly.
- Two adults are recommended for assembly.
- Clear out the space for assembly and lay out all parts based on Parts List, extra room will allow you to easily determine if all the pieces are present.
- Save all packing materials until assembly is complete to avoid accidentally discarding smaller parts or hardware.
- Keep small parts and pieces away from children until fully assembled.
- Please check for any loose screws and tighten them before you use.

## PANEL AND FITTINGS IDENTIFICATION:

 <p>Cabinet (1) Qty:1</p>	 <p>Leg (2) Qty:4</p>	 <p>Left Side (3) Qty:1</p>
 <p>Right Side (4) Qty:1</p>	 <p>Back Frame (5) Qty:1</p>	 <p>Shelf (6) Qty:1</p>
 <p>Top Bar (7) Qty:1</p>		

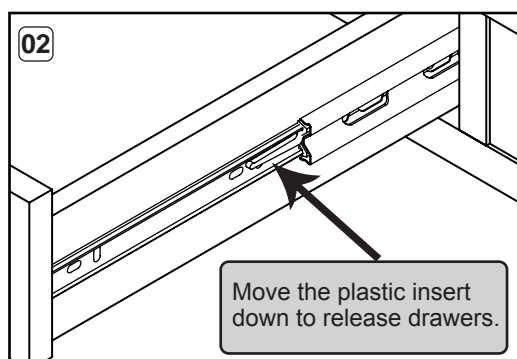
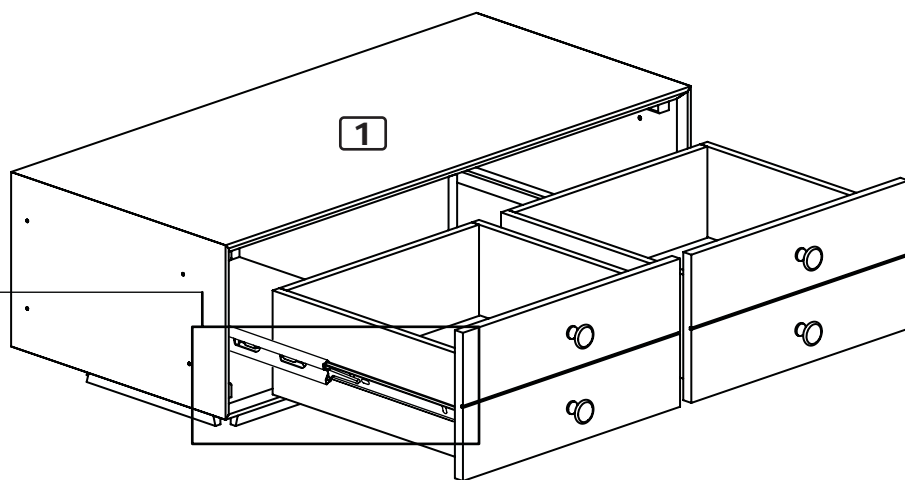
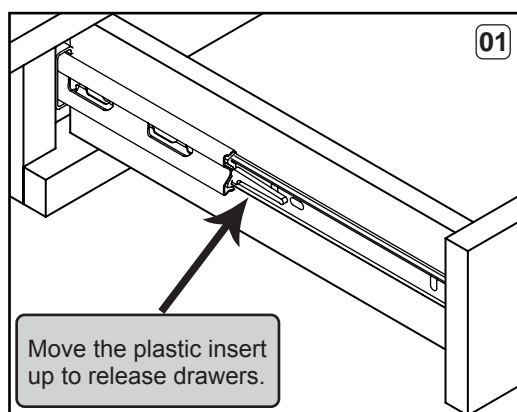
## HARDWARE LIST:

 <p>Bolt (A) Qty:8</p>	 <p>Bolt (B) Qty:15</p>	 <p>Bolt (C) Qty:5</p>
 <p>Spring Washer (D) Qty:28</p>	 <p>Flat Washer (E) Qty:28</p>	 <p>Allen Key (F) Qty:1</p>

 <p>Wooden Dowel (G) Qty:12</p>	 <p>Cam Pin (H) Qty:2</p>	 <p>Cam Lock (I) Qty:2</p>
 <p>Bracket (J) Qty:5</p>	 <p>Screw (K) Qty:2</p>	 <p>Screw (L) Qty:2</p>
 <p>Plastic Rope (M) Qty:2</p>	 <p>Wall Plug (N) Qty:2</p>	 <p>Wall Bracket (O) Qty:4</p>
<p>Phillips Screwdriver (not provided)</p> 		

## STEP-BY-STEP ASSEMBLY:

- 1** STEP 1:  
Take out drawer to start Assembly.

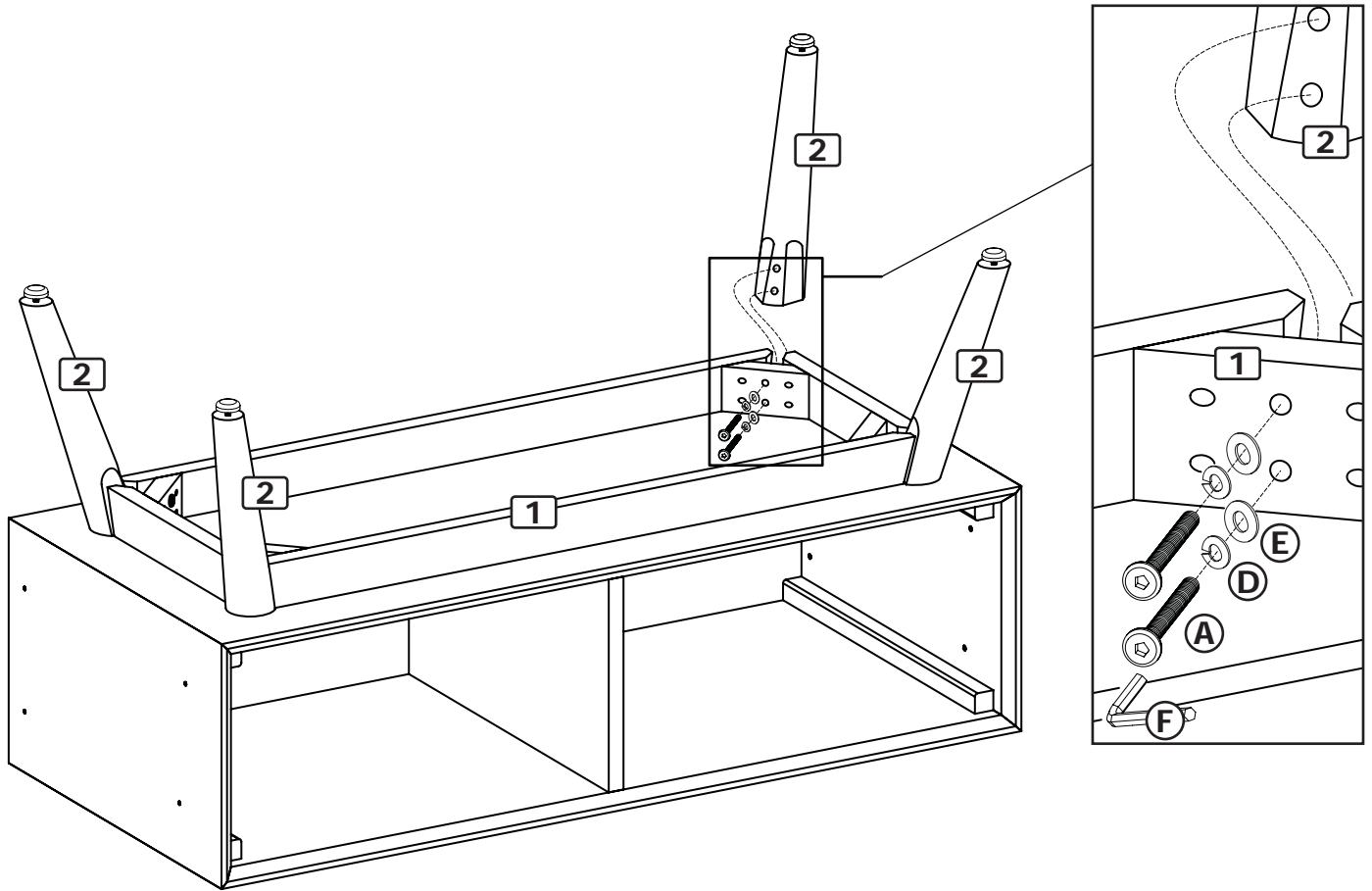


## STEP-BY-STEP ASSEMBLY:

2

STEP 2:

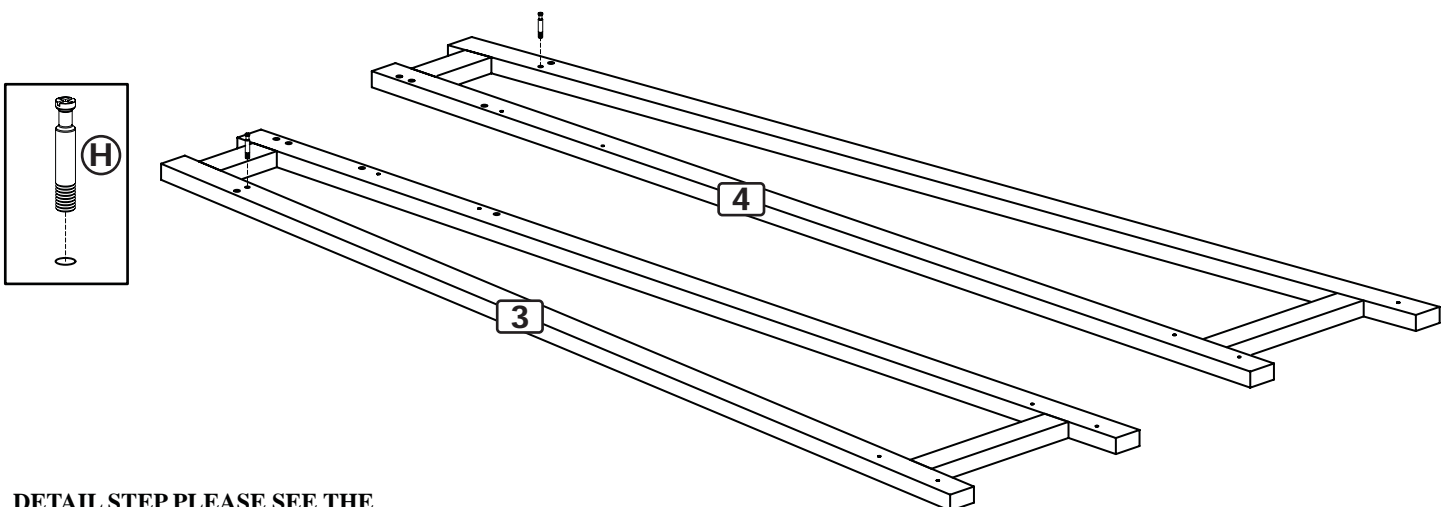
Attach Legs (2) to Cabinet (1) using Bolts (A) with Spring Washers (D) and Flat Washers (E), then tighten with Allen Key (F).



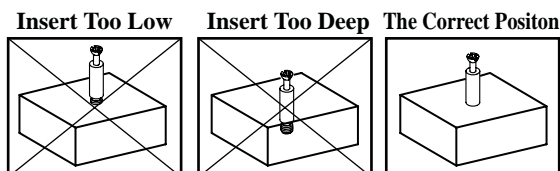
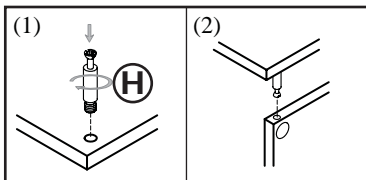
3

STEP 3:

Insert Cam Pins (H) into pre-drilled holes of Left Side (3) and Right Side (4).



DETAIL STEP PLEASE SEE THE BELOW PICTURE.

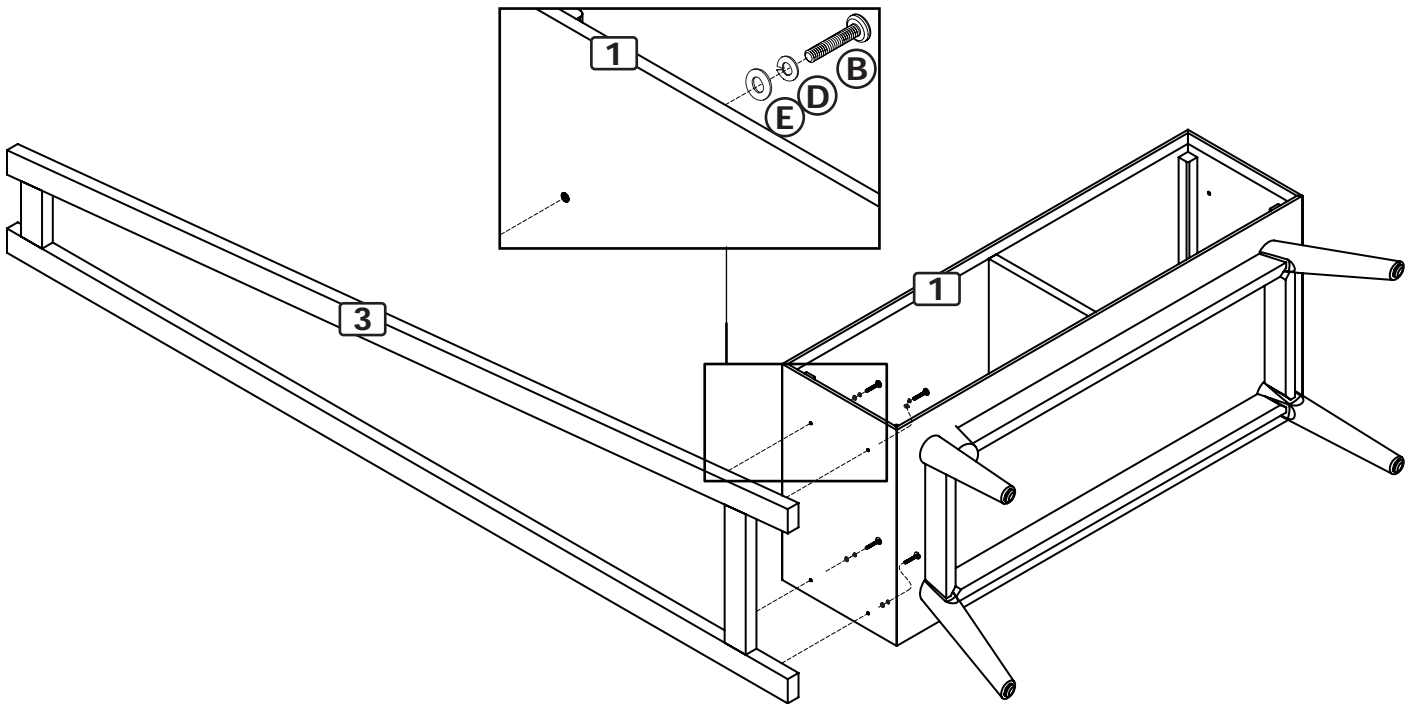


## STEP-BY-STEP ASSEMBLY:

4

STEP 4:

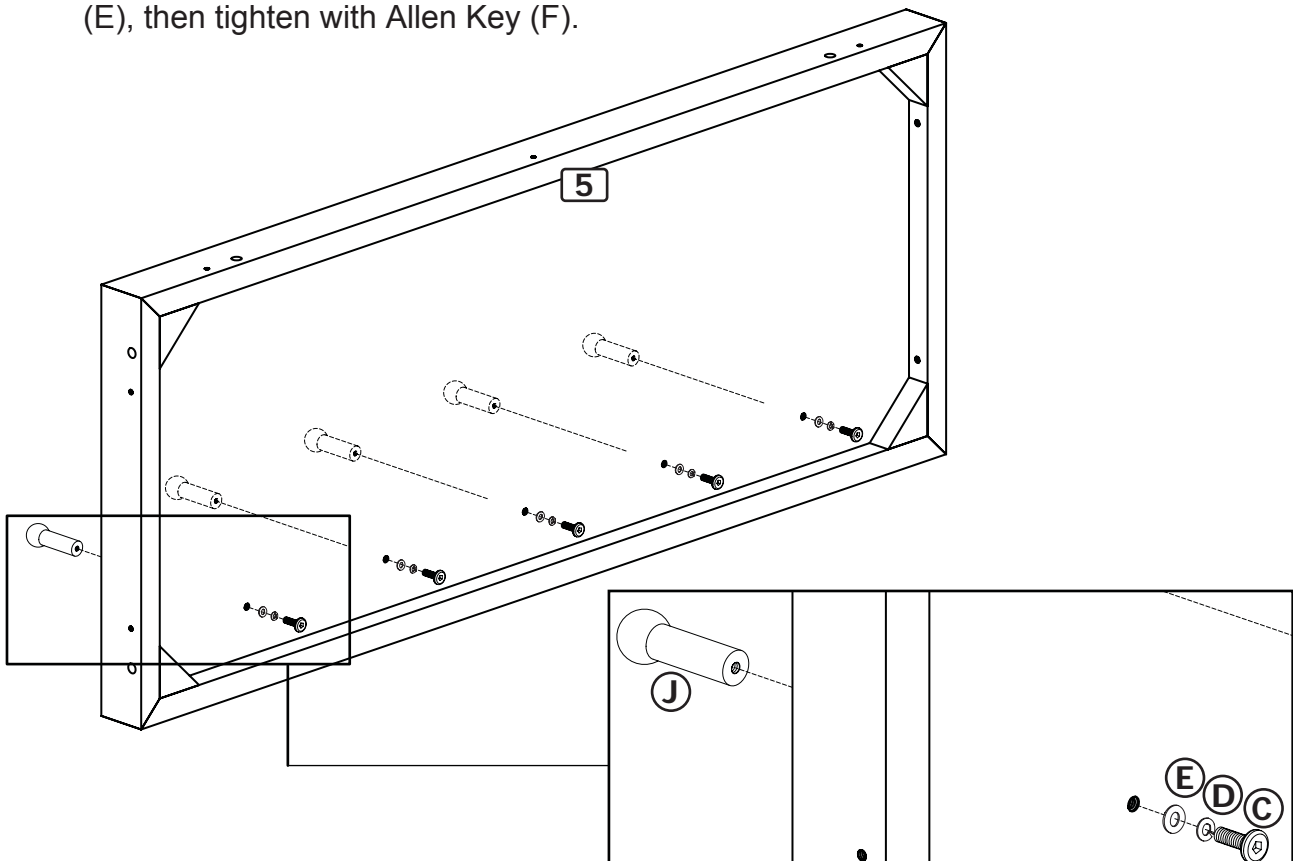
Attach Left Side (3) to Cabinet (1) using Bolts (B) with Spring Washers (D) and Flat Washers (E), then tighten with Allen Key (F).



5

STEP 5:

Fix Bracket (J) to Back Frame (5) using Bolts (C) with Spring Washers (D) and Flat Washers (E), then tighten with Allen Key (F).

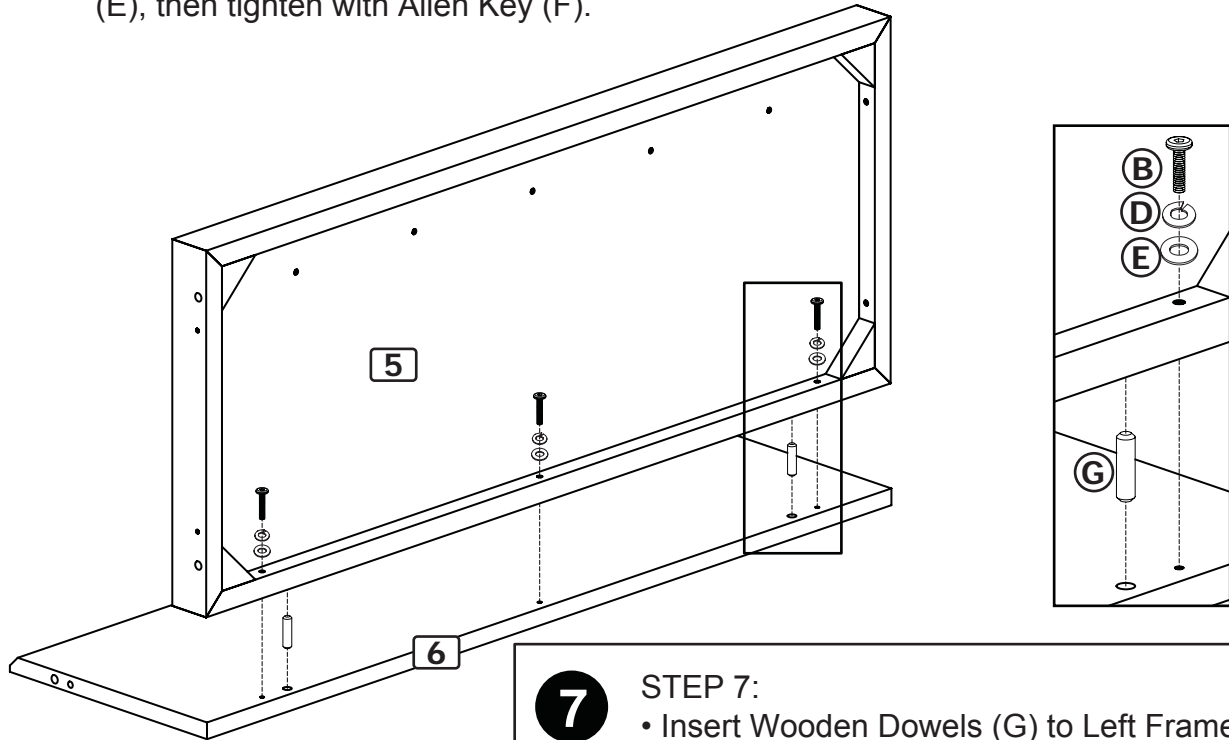


## STEP-BY-STEP ASSEMBLY:

**6**

### STEP 6:

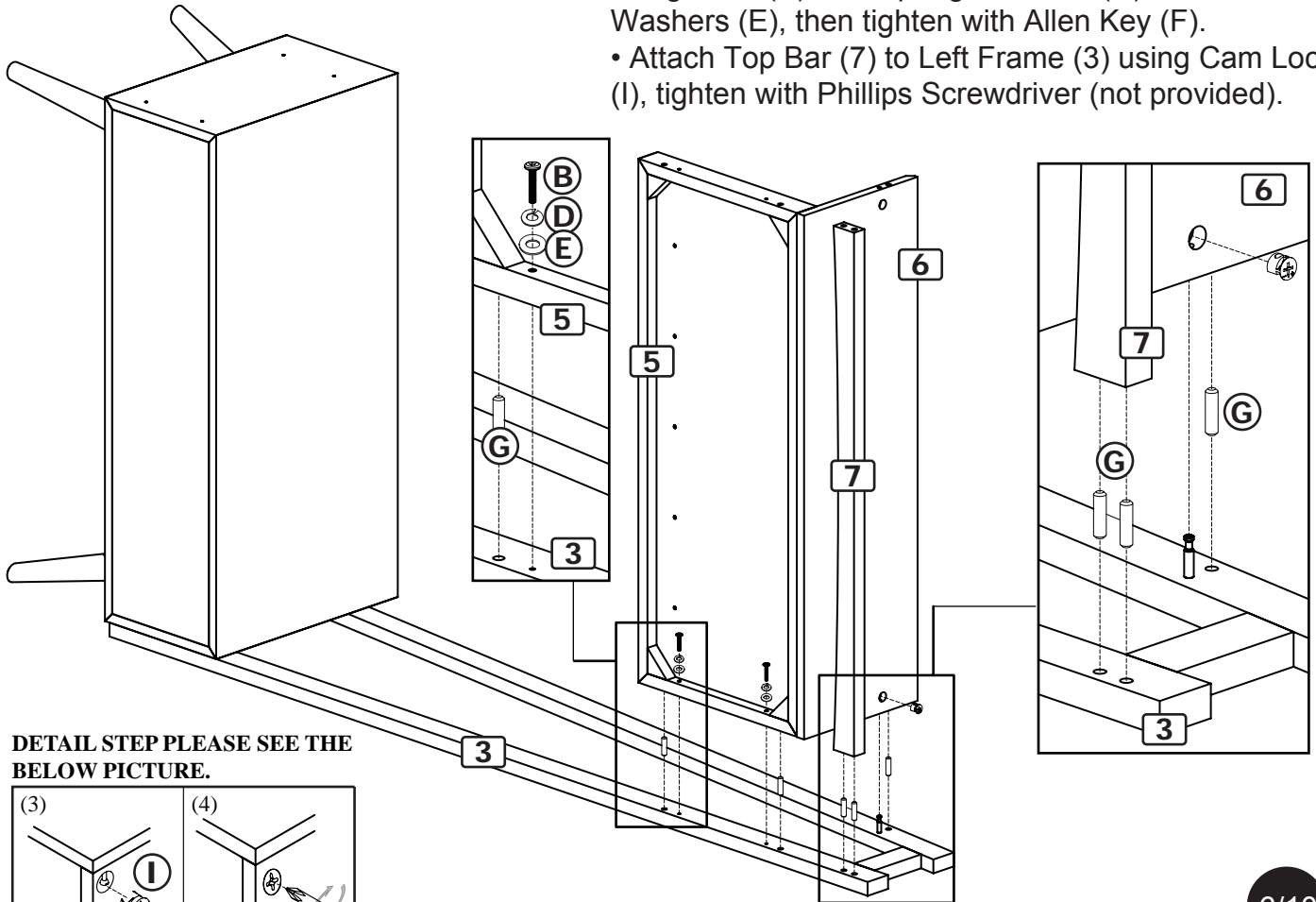
Attach Back Frame (5) to Shelf (6) using Bolts (B) with Spring Washers (D) and Flat Washers (E), then tighten with Allen Key (F).



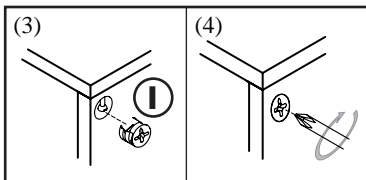
**7**

### STEP 7:

- Insert Wooden Dowels (G) to Left Frame (3).
- Attach Back Frame (5) and Shelf (6) to Left Frame (3) using Bolts (B) with Spring Washers (D) and Flat Washers (E), then tighten with Allen Key (F).
- Attach Top Bar (7) to Left Frame (3) using Cam Locks (I), tighten with Phillips Screwdriver (not provided).



DETAIL STEP PLEASE SEE THE BELOW PICTURE.

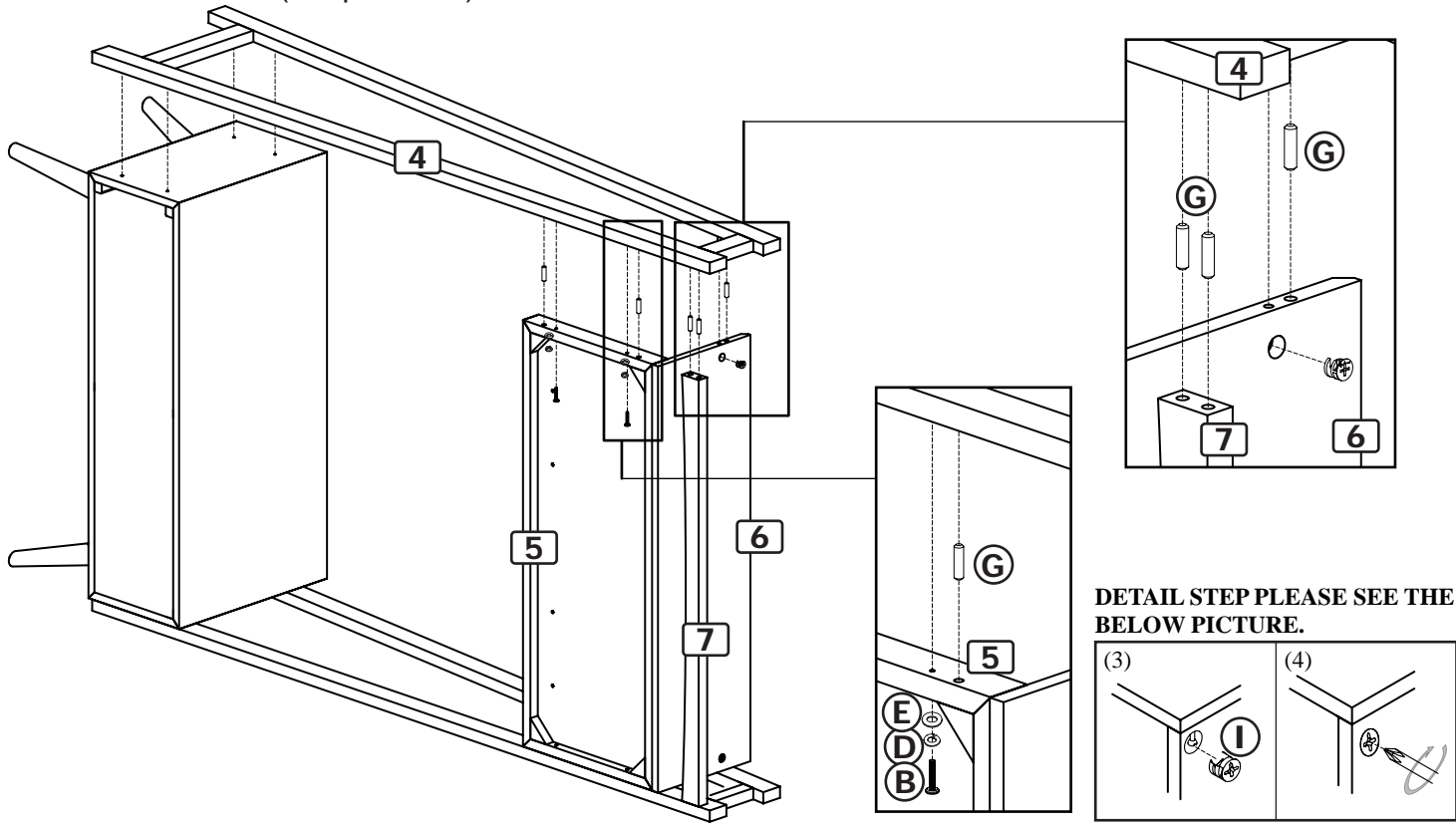


## STEP-BY-STEP ASSEMBLY:

8

### STEP 8:

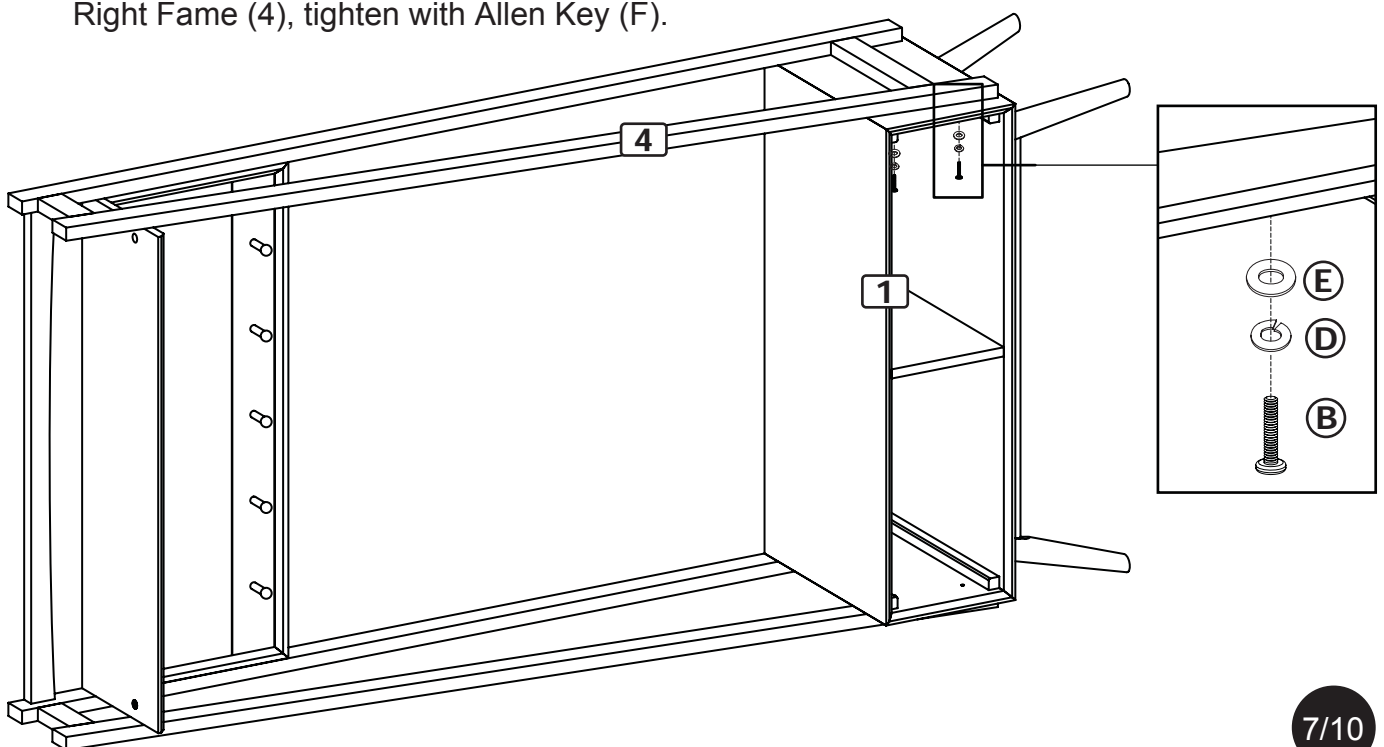
- Insert Wooden Dowels (G) to Back Frame (5), Shelf (6) and Top Bar (7).
- Attach Right Frame (4) the assembled shelf and bar using Bolts (B) with Spring Washers (D) and Flat Washers (E) and Cam Locks (I), then tighten with Allen Key (F) and Phillips Screwdriver (not provided).



9

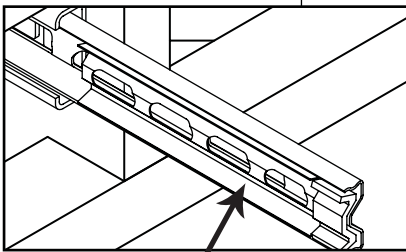
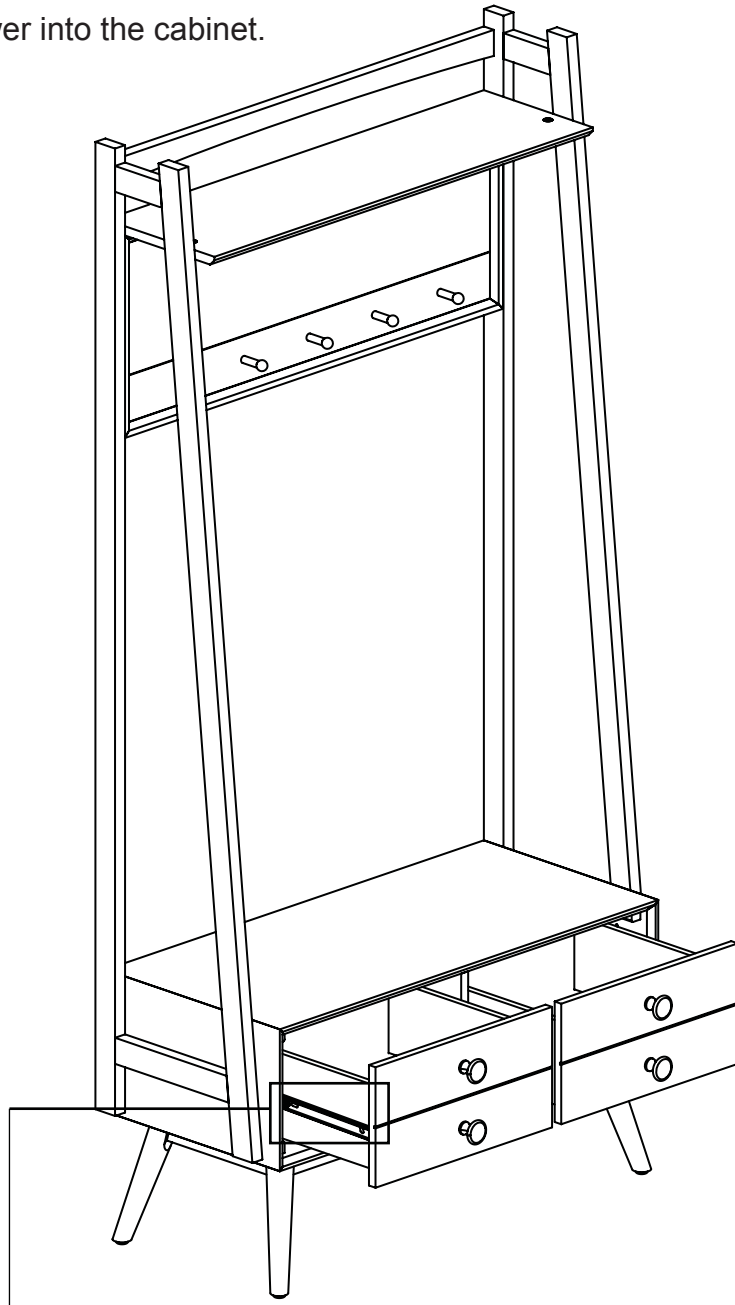
### STEP 9:

- Fix Bolts (B) with Spring Washers (D) and Flat Washers (E) from inside of the Cabinet (1) to Right Fame (4), tighten with Allen Key (F).

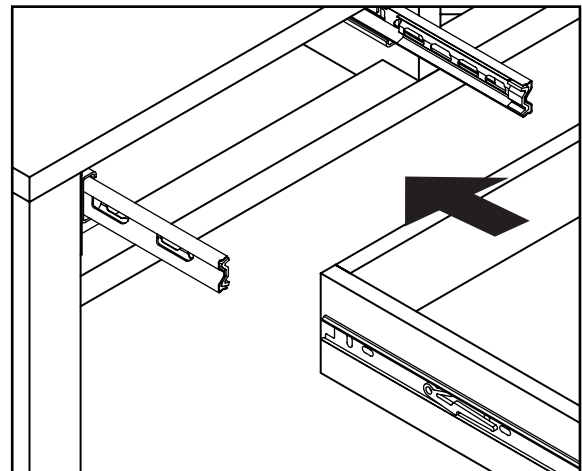


## STEP-BY-STEP ASSEMBLY:

- 10** STEP 10:  
Insert the Drawer into the cabinet.



The zinc iron track  
slips to the front





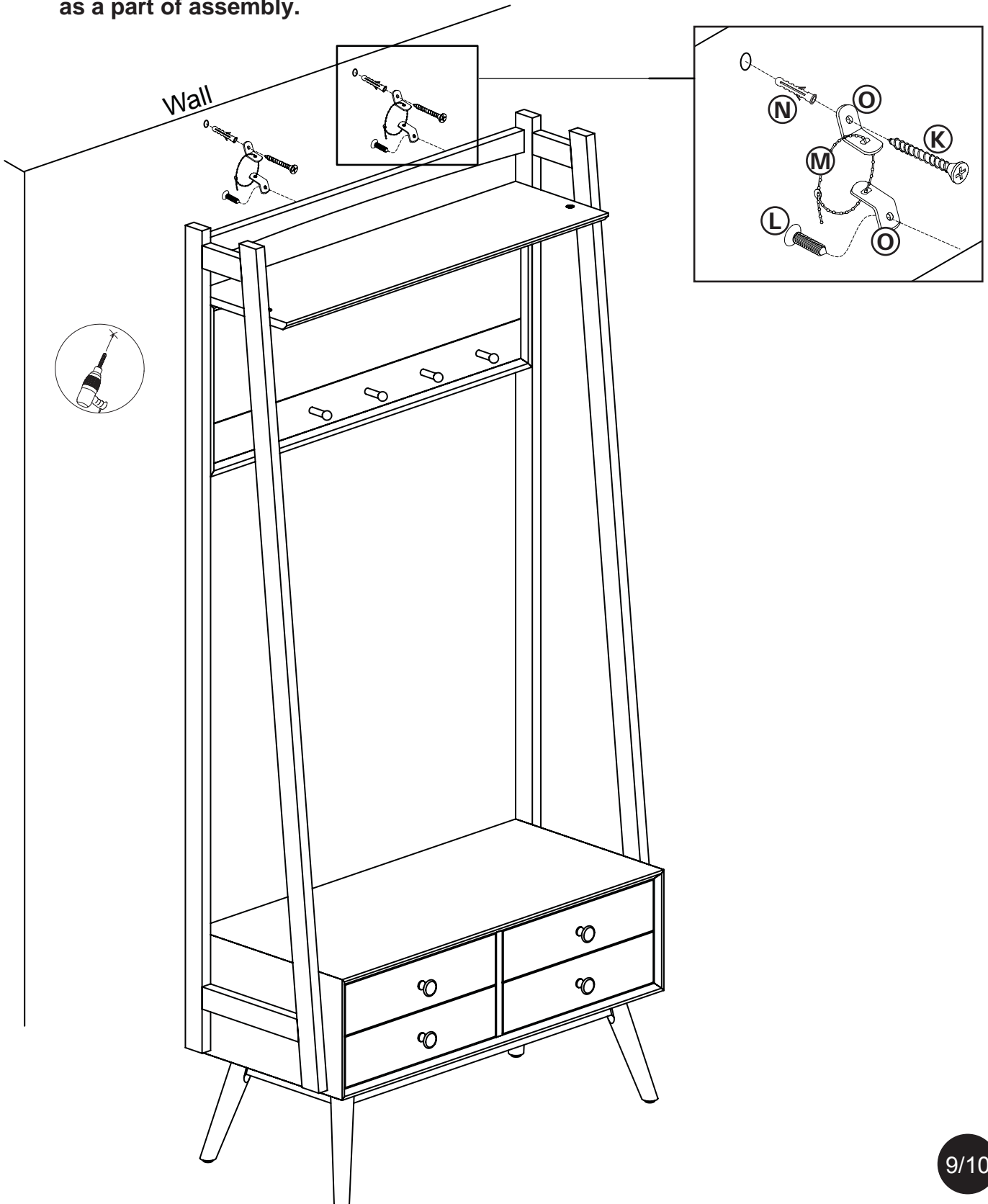
## STEP-BY-STEP ASSEMBLY:

11

STEP 11:

- Fix two Wall Brackets (O) to the top rail using Screws (L).
- Use electric drill to drill two small holes on the desired location of wall, insert Wall Plugs (N) into the holes by rubber mallet, use Screws (K) to attach the Wall Brackets (O) onto wall.
- Then use Plastic Ropes (M) to link the product and wall together as shown.

**Note: This is an option step. For safety, the tilting prevent hardware should be used as a part of assembly.**



## MAINTENANCE AND CARE TIPS FOR WOOD FURNITURE:

### **Wooden furniture caring tips:**

- Always dust, wipe and clean in the direction of the wood grains.
- Check and re-tighten screws/blots after the product has been used for a period of time.
- Heat creates chemical changes in the furniture finish. As a result, whitish spots may appear.
- Dust with a soft cloth moistened with a polish, as the polish will help eliminate the scratching that occurs with dry dusting.
- Soap and water are not advisable for wood surfaces.
- Do not allow rubber or vinyl material to lay on the furniture.
- Always use coasters under beverage glasses and flowerpots.
- Liquid spills should be removed immediately. Using a soft clean cloth, blot the spill gently. Avoid rubbing.
- It is best to keep your furniture in a climate controlled environment. Extreme temperature and humidity changes can cause warping, shrinking and spitting of wood. It is advised to keep furniture away from direct sunlight as it may damage the finish.