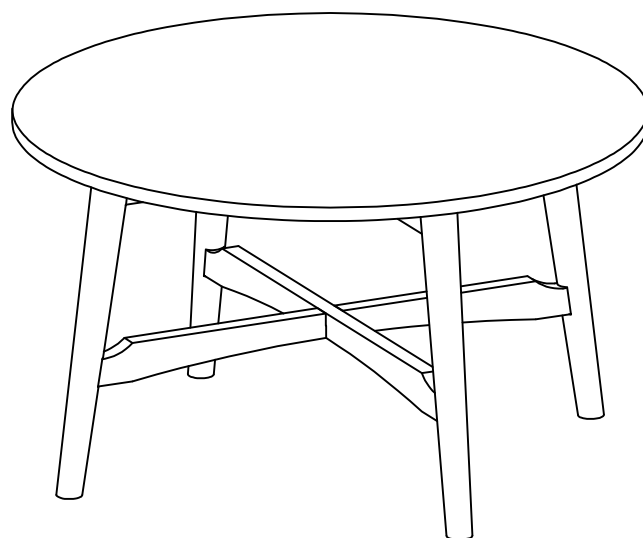


# hayneedle

ITEM NAME: Belham Living James Round Mid Century Modern Marble Coffee Table  
SKU: REDU124-1



For assistance with assembly, please contact customer service  
1-888-880-4884

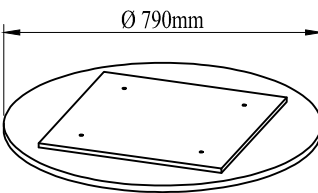
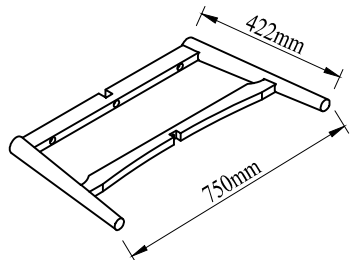
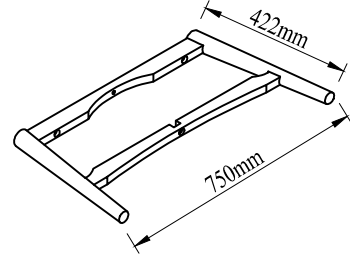
## PRE-ASSEMBLY PREPARATION:



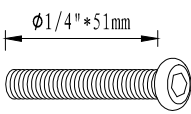
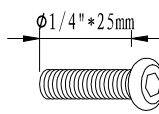
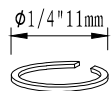
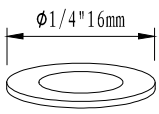
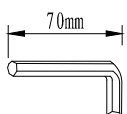
DO NOT LET CHILDREN PLAY IN OR AROUND THE UNIT DUE TO THE POSSIBLE RISK OF FINGER ENTRAPMENT

- Please read through this instructions before beginning assembly.
- Two adults recommended for assembly.
- Clear out the space for assembly and lay out all parts based on Parts List, extra room will allow you to easily determine if all the pieces are present.
- Save all packing materials until assembly is complete to avoid accidentally discarding smaller parts or hardware.
- Keep small parts and pieces away from children until full assembled.
- Please check for any loose screws and tighten them before you use.

## PANEL AND FITTINGS IDENTIFICATION:

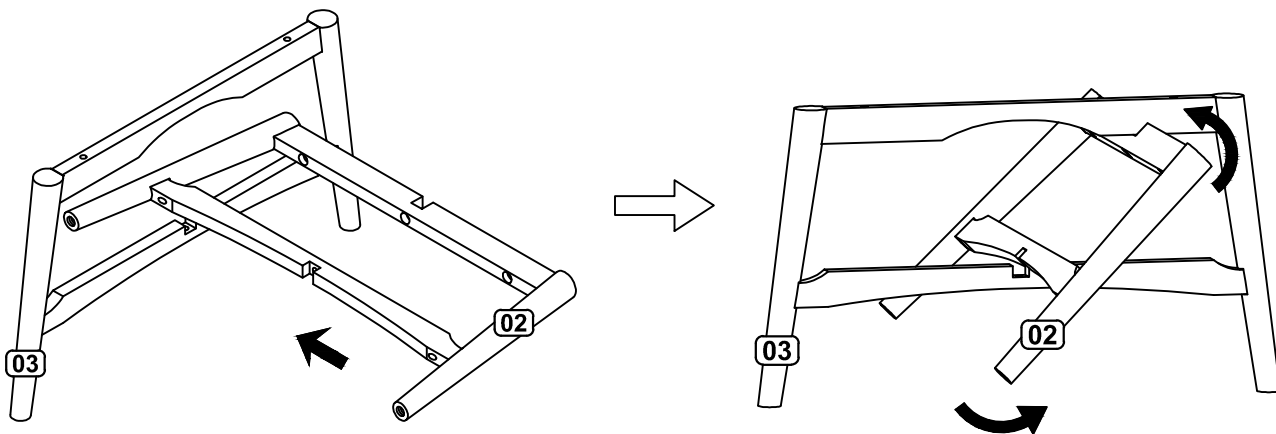
 <p>Top Frame (1) Qty:1</p>	 <p>Leg1 (2) Qty:1</p>	 <p>Leg2 (3) Qty:1</p>
---	--	--

## HARDWARE LIST:

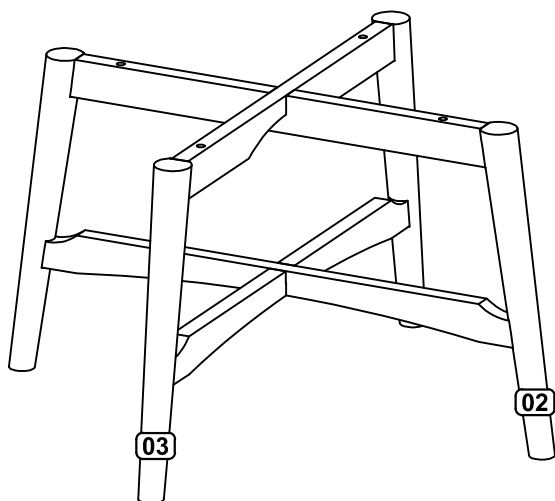
 <p>Bolt (A) Qty:4</p>	 <p>Bolt (B) Qty:2</p>	 <p>Spring Washer (C) Qty:6</p>
 <p>Flat Washer (D) Qty:6</p>	 <p>Allen Key (E) Qty:1</p>	

## STEP-BY-STEP ASSEMBLY

- 1** STEP 1:  
Insert the Leg(02) into the Leg(03), and then rotate 90 degrees.



- 2** STEP 2:  
Leg(02) Use With Leg(03) hole position

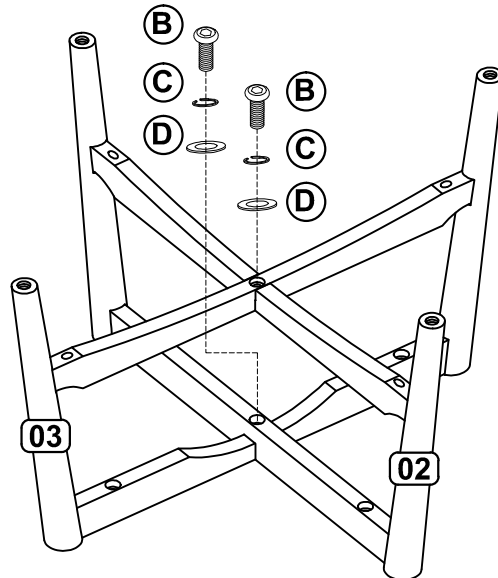


## STEP-BY-STEP ASSEMBLY

3

### STEP 3:

Turn the Leg over, using Bolts (B) with Spring Washers (C) and Flat Washer (D), with Key Allen (E), but do not tighten.



4

### STEP 4:

Leg(02) and Leg(03) on the panel(01) hole, using Bolts (A) with Spring Washers (C) and Flat Washer (D), with Key Allen (E), To tighten all.

