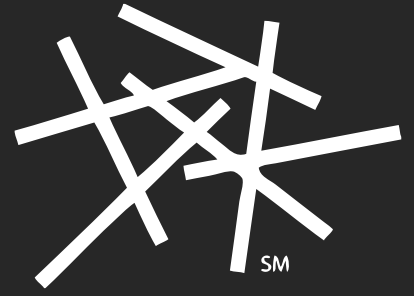
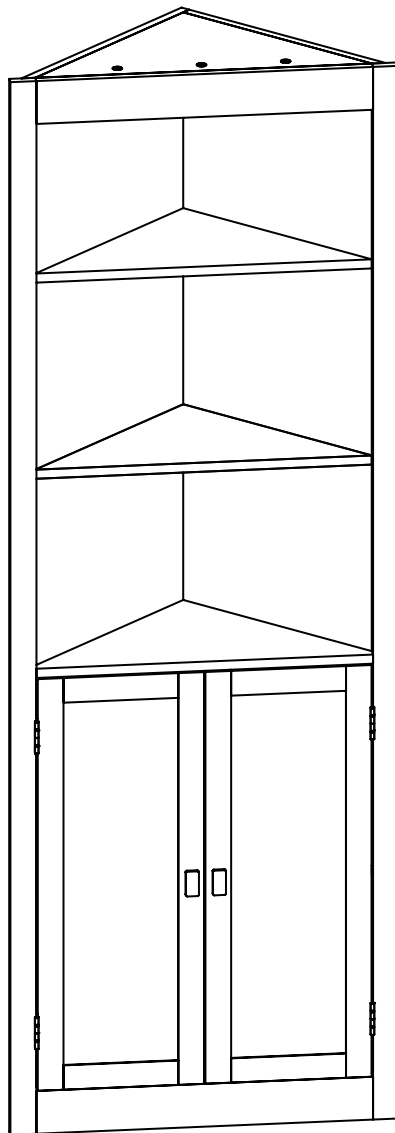


# hayneedle



ITEM NAME: Belham Living Longbourn Corner Linen Cabinet  
SKU: REDU106-1;REDU106-2



For assistance with assembly, please contact customer service  
1-888-880-4884

## PRE-ASSEMBLY PREPARATION:



DO NOT LET CHILDREN PLAY IN OR AROUND THE UNIT DUE TO THE POSSIBLE RISK OF FINGER ENTRAPMENT

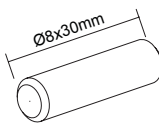
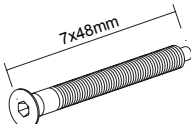
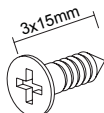


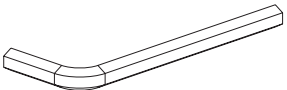
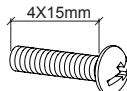
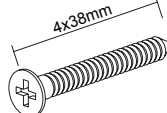

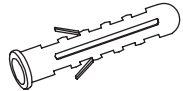
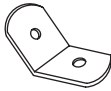
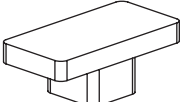


- Please read through these instructions before beginning assembly.
- Two adults are recommended for assembly.
- Clear out the space for assembly and lay out all parts based on Parts List, extra room will allow you to easily determine if all the pieces are present.
- Save all packing materials until assembly is complete to avoid accidentally discarding smaller parts or hardware.
- Keep small parts and pieces away from children until fully assembled.
- Please check for any loose screws and tighten them before you use.

## PANEL AND FITTINGS IDENTIFICATION:

<p>Top Panel (1)</p>	Qty:1	<p>Front Bar (2)</p>	Qty:2	<p>Shelf (3)</p>	Qty:1
<p>Shelf (4)</p>	Qty:2	<p>Left Door (5)</p>	Qty:1	<p>Shelf (6)</p>	Qty:1
<p>Right Side (7)</p>	Qty:1	<p>Left Side (8)</p>	Qty:1	<p>Right Side (9)</p>	Qty:1
<p>Bottom Panel (10)</p>	Qty:1				

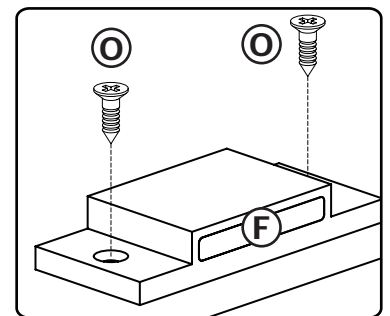
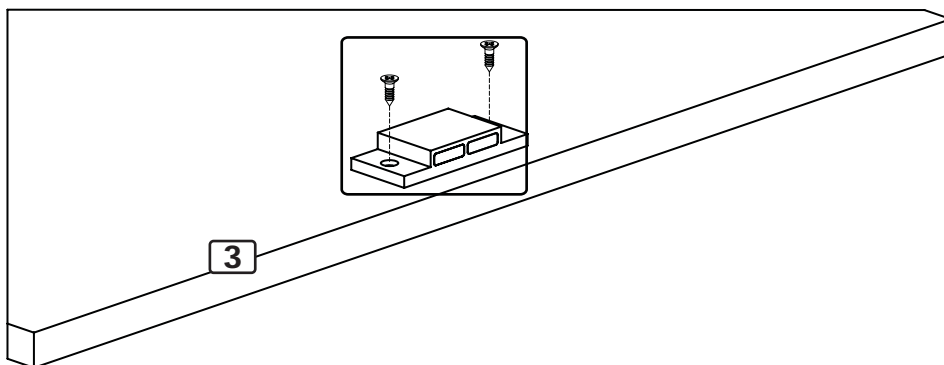
## HARDWARE LIST:

<p>Cam Lock (A)</p>	Qty:6	<p>Cam Pin (B)</p>	Qty:6
---------------------	-------	--------------------	-------

 <p>Wooden Dowel (C) Qty:12</p>	 <p>Screw (D) Qty:25</p>	 <p>Screw (E) Qty:8</p>
 <p>Magnetic Touch (F) Qty:1</p>	 <p>Shelf Bracket (G) Qty:4</p>	 <p>Allen Key (H) Qty:1</p>
 <p>Bolt (I) Qty:2</p>	 <p>Screw (J) Qty:2</p>	 <p>Plastic Rope (K) Qty:2</p>
 <p>Wall Plug (L) Qty:2</p>	 <p>Bracket (M) Qty:4</p>	 <p>Handle (N) Qty:2</p>
 <p>Screw (O) Qty:4</p>	 <p>Phillips Screwdriver (not provided)</p>	

## STEP-BY-STEP ASSEMBLY:

- 1** STEP 1:  
Attach Magnetic Touch (F) to Shelf (3) using Screws (O), tighten with an across headed screwdriver (not supplied).

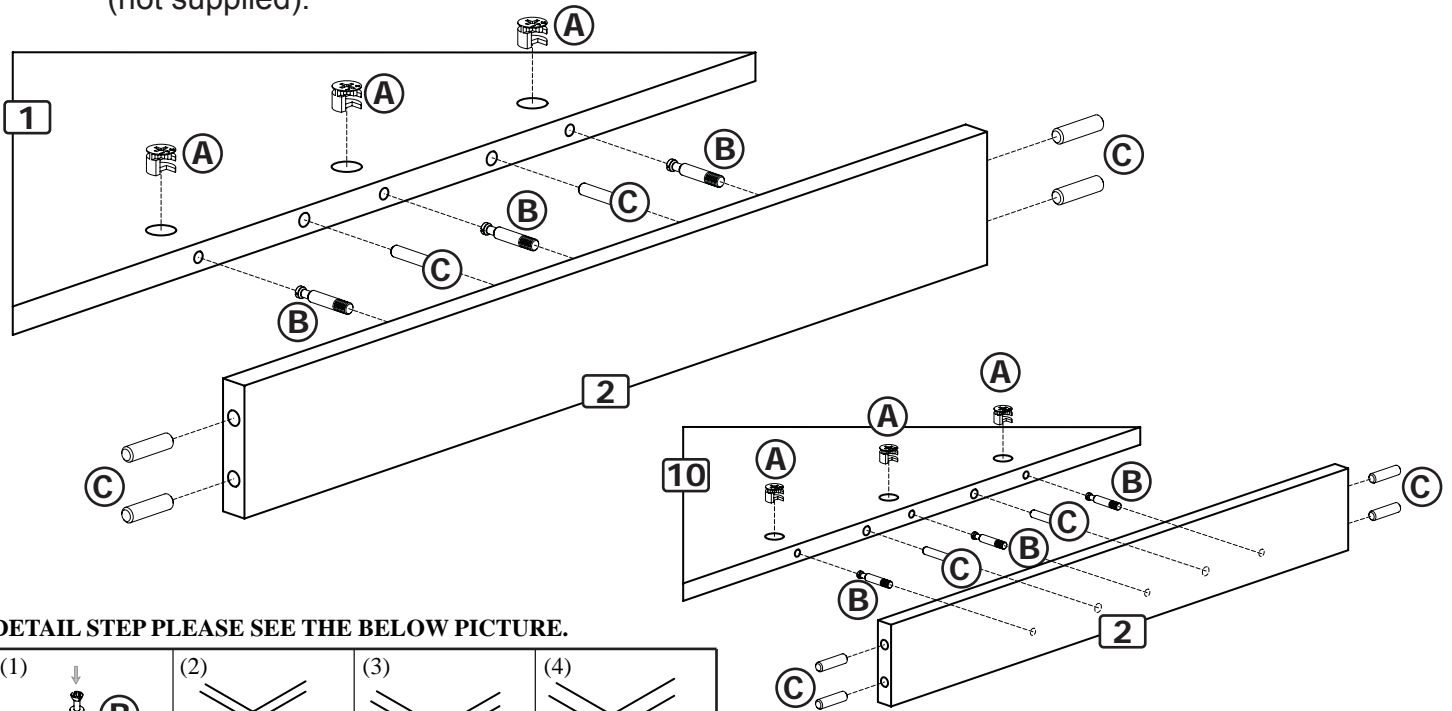


## STEP-BY-STEP ASSEMBLY:

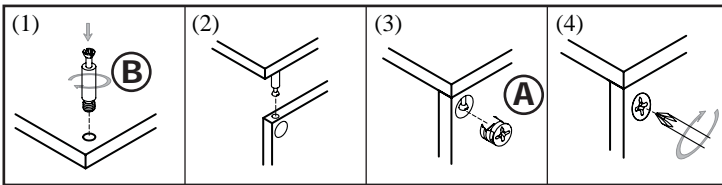
**2**

### STEP 2:

Insert Wooden Dowels (C) and Cam Pins (B) to Front Bar (2). Then attach Front Bar (2) to Top/Bottom Panel (1,10) using Cam Locks (A), tighten with an across headed screwdriver (not supplied).



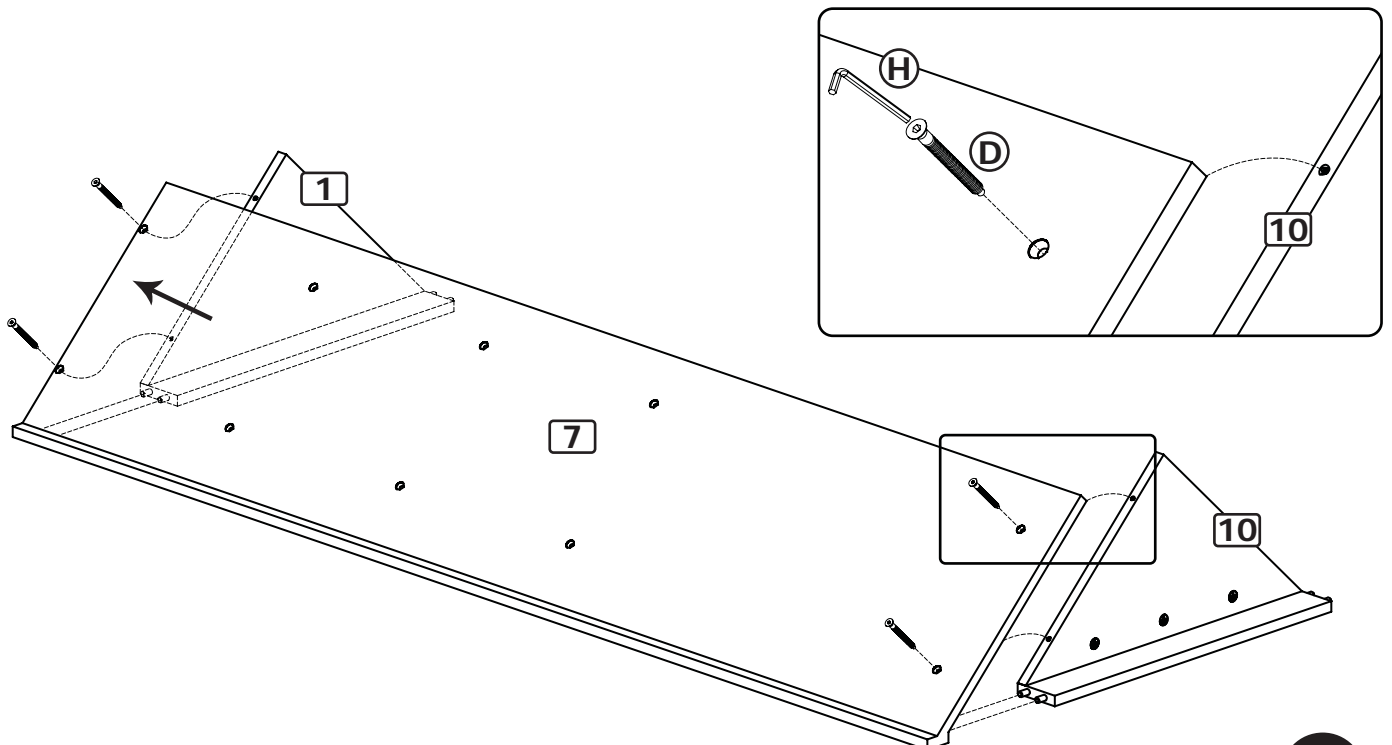
DETAIL STEP PLEASE SEE THE BELOW PICTURE.



**3**

### STEP 3:

Attach Top/Bottom Panels (1,10) to Right Side (7) using Bolts (D), Tighten with Allen Key (H).

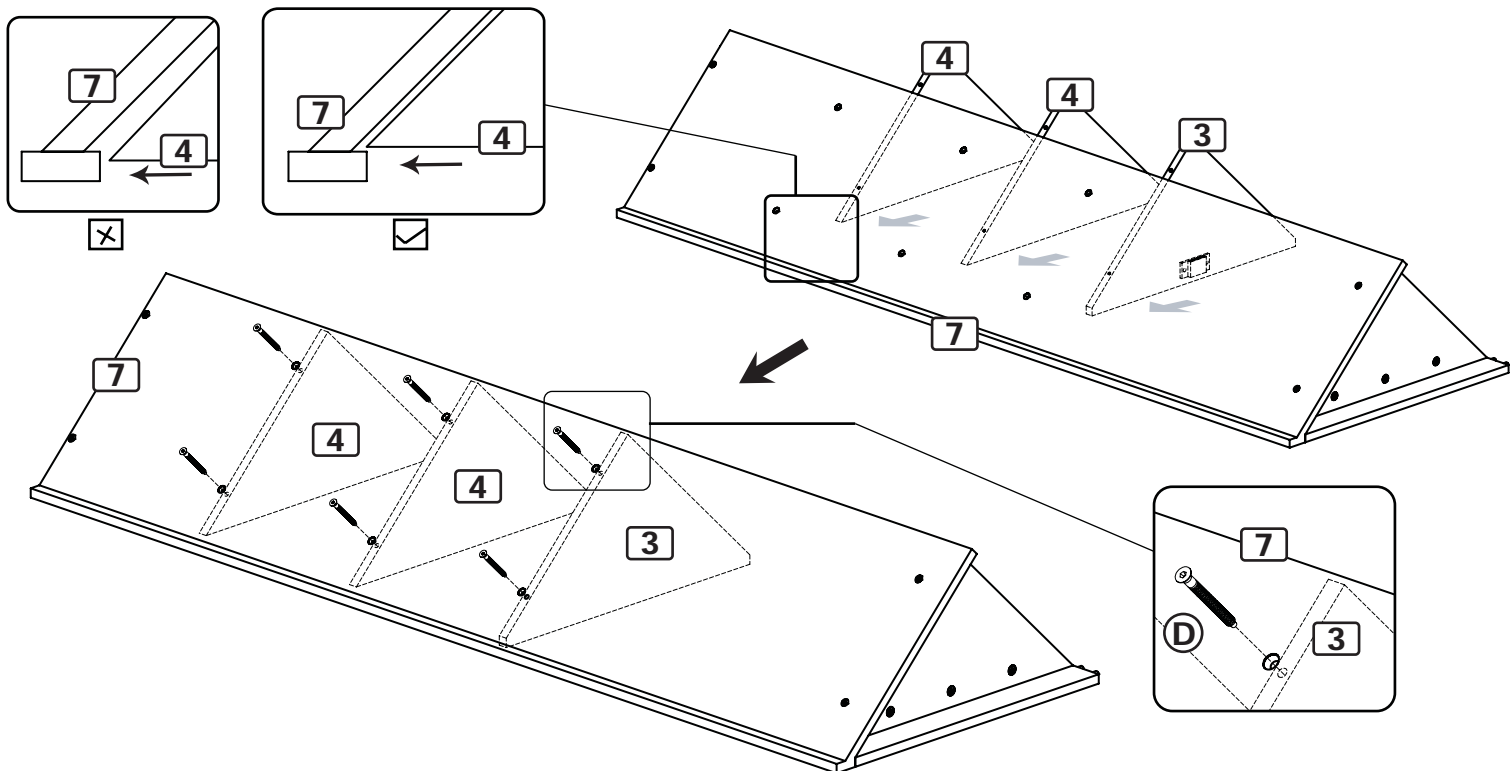


## STEP-BY-STEP ASSEMBLY:

4

STEP 4:

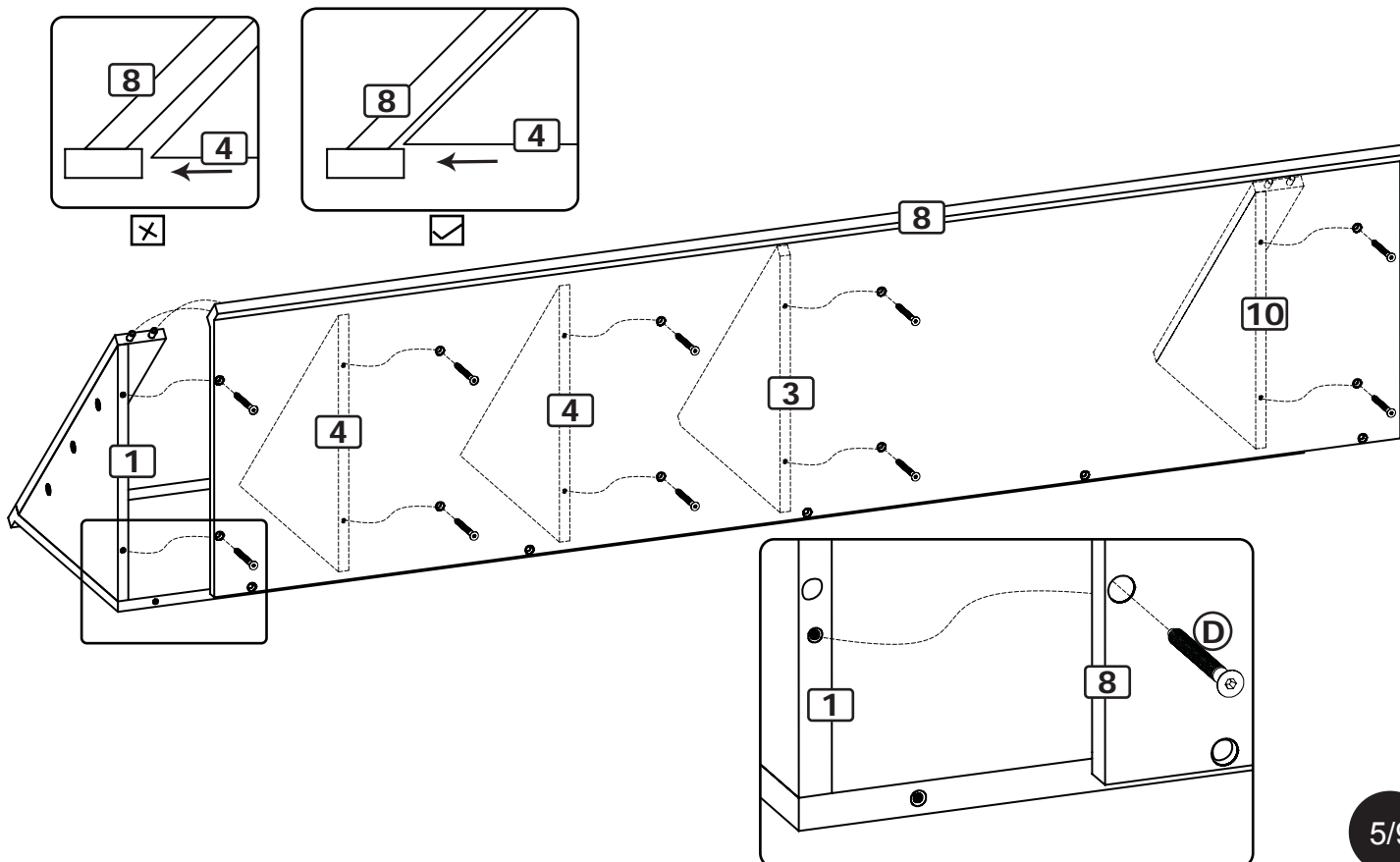
Attach Shelves (3,4) to Right Side (7) using Bolts (D), Tighten with Allen Key (H).



5

STEP 5:

Attach Top/Bottom Panels (1,10) and Shelves (3,4) to Left Side (8) using Bolts (D), Tighten with Allen Key (H).

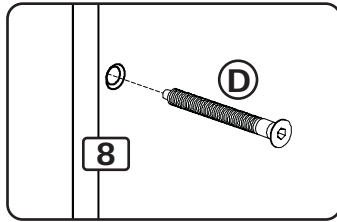
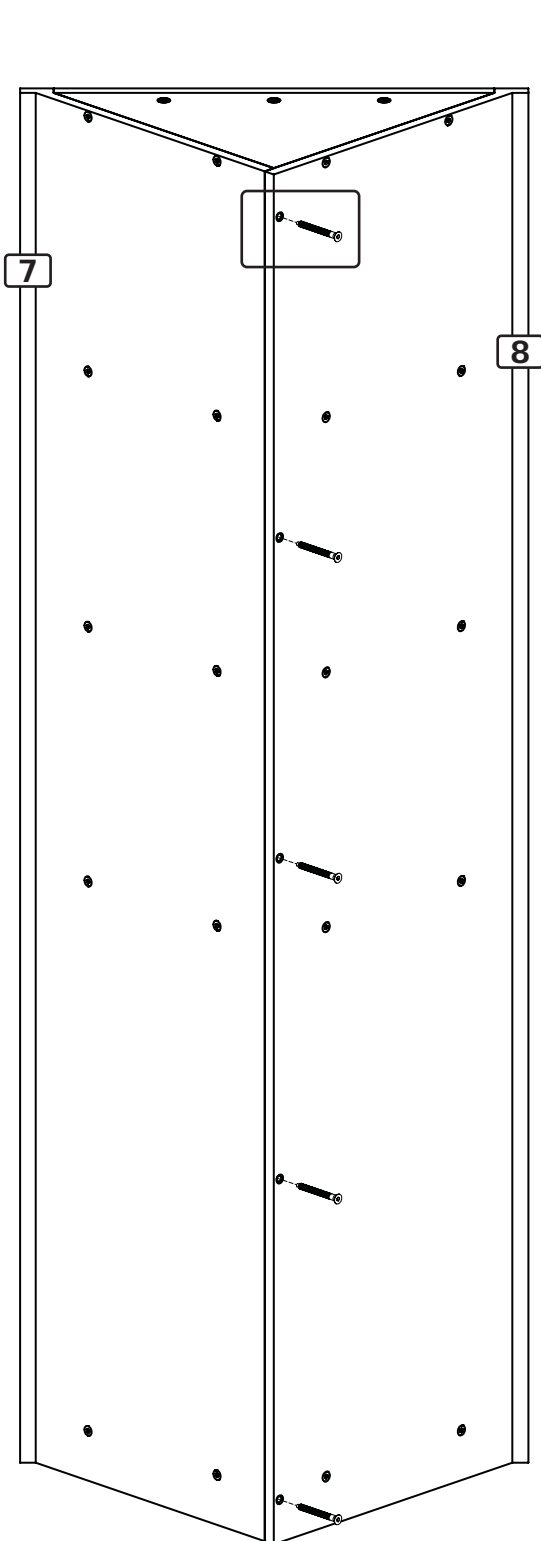


## STEP-BY-STEP ASSEMBLY:

6

STEP 6:

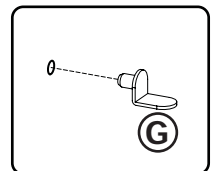
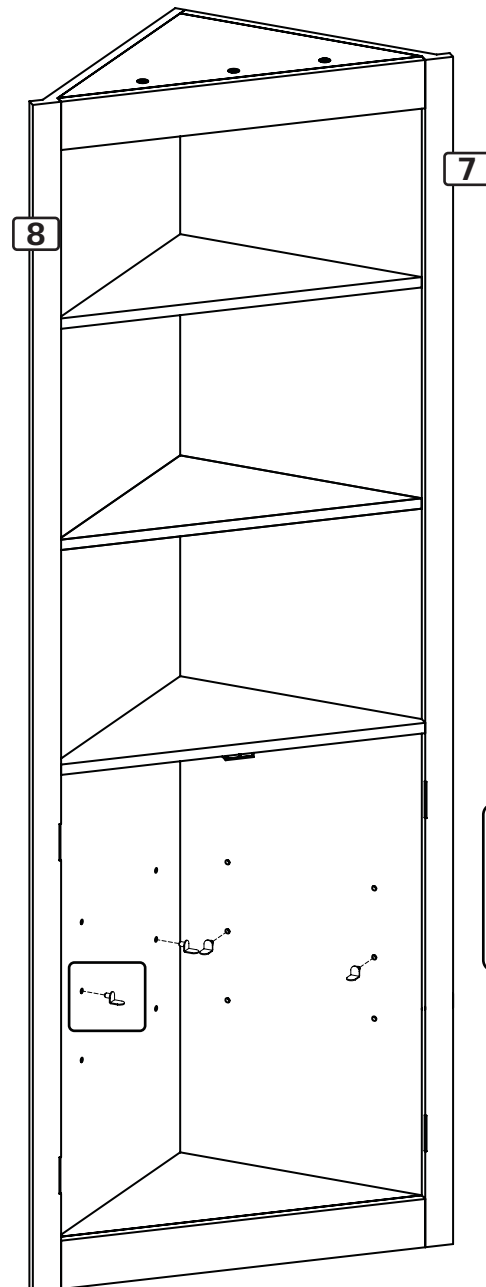
Attach Left Side (8) to Right Side (7) using Bolts (D), Tighten with Allen Key (H).



7

STEP 7:

Insert Shelf Brackets (G) to Left Side and Right Side (8,7).

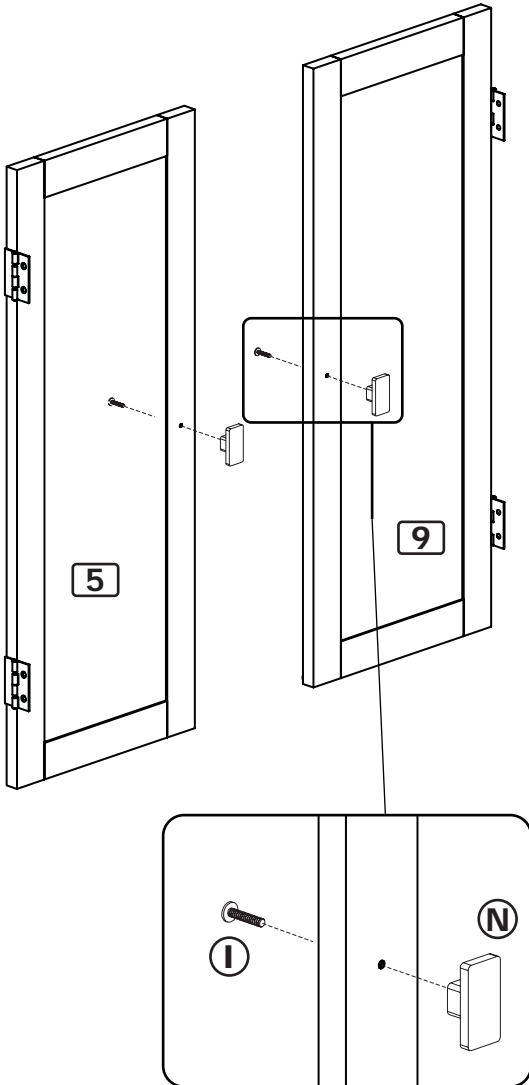


## STEP-BY-STEP ASSEMBLY:

8

STEP 8:

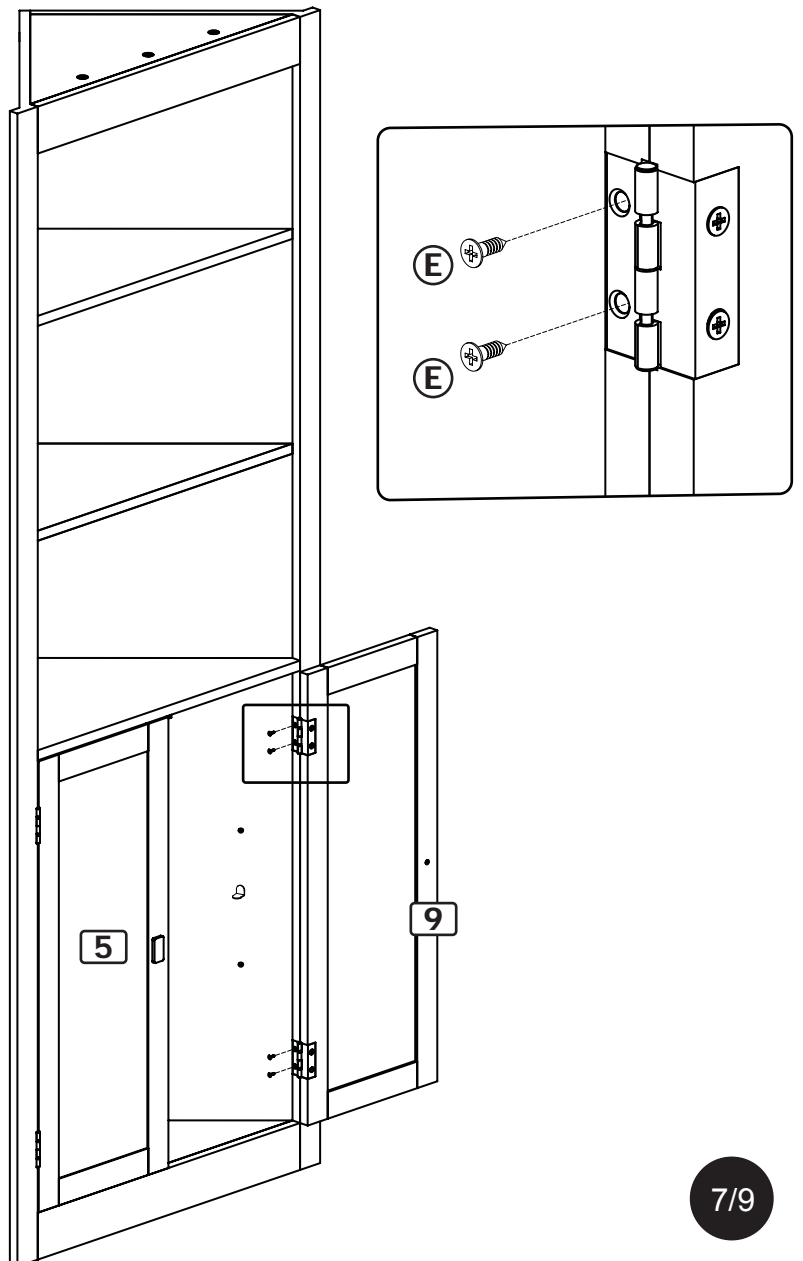
Fix Handles (N) to door front using Screws (I) and tighten with an across headed screwdriver (not supplied).



9

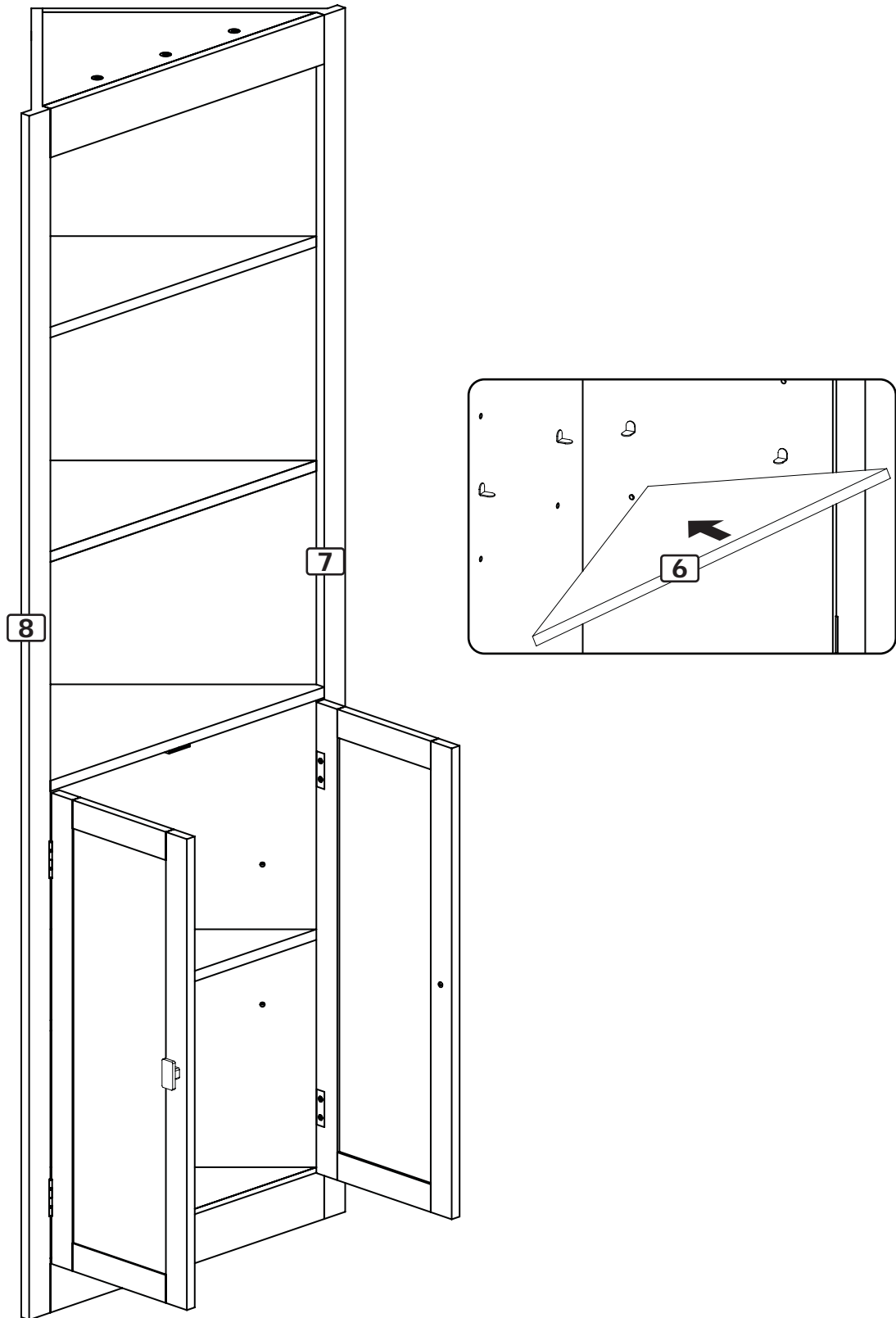
STEP 9:

Assemble Doors (5 and 9) to the assembled unit using Screws (E), tighten with an across headed screwdriver (not supplied).



## STEP-BY-STEP ASSEMBLY:

- 10** STEP 10:  
place the Shelf (6) on the Brackets.





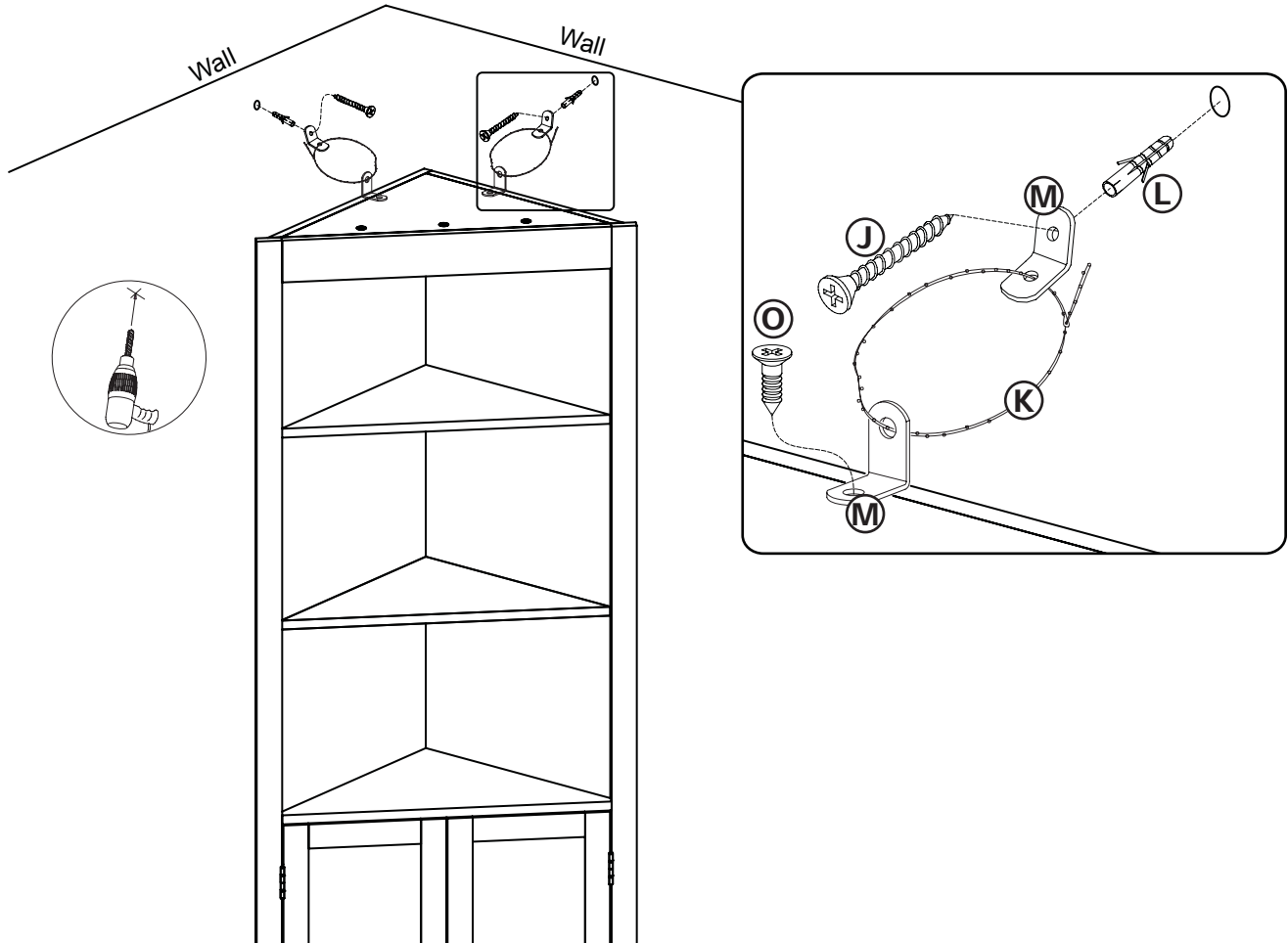
## STEP-BY-STEP ASSEMBLY:

11

### STEP 11:

- Fix two Brackets (M) to the back top of the unit using Screws (O).
- Use electric drill to drill two small holes on the desired location of wall, insert Wall Plugs (L) into the holes by rubber mallet, use Screws (J) to attach the Brackets (M) onto wall.
- Then use Plastic Ropes (K) to link the product and wall together as shown.

Note: This is an option step. For safety, the tilting prevent hardware should be used as a part of assembly.



## MAINTENANCE AND CARE TIPS FOR WOOD FURNITURE:

### Wooden furniture caring tips:

- Always dust, wipe and clean in the direction of the wood grains.
- Check and re-tighten screws/blots after the product has been used for a period of time.
- Heat creates chemical changes in the furniture finish. As a result, whitish spots may appear.
- Dust with a soft cloth moistened with a polish, as the polish will help eliminate the scratching that occurs with dry dusting.
- Soap and water are not advisable for wood surfaces.
- Do not allow rubber or vinyl material to lay on the furniture.
- Always use coasters under beverage glasses and flowerpots.
- Liquid spills should be removed immediately. Using a soft clean cloth, blot the spill gently. Avoid rubbing.
- It is best to keep your furniture in a climate controlled environment. Extreme temperature and humidity changes can cause warping, shrinking and spitting of wood. It is advised to keep furniture away from direct sunlight as it may damage the finish.