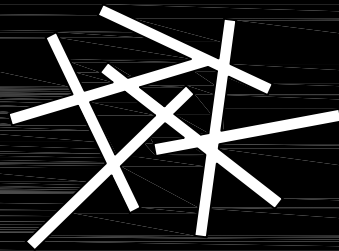
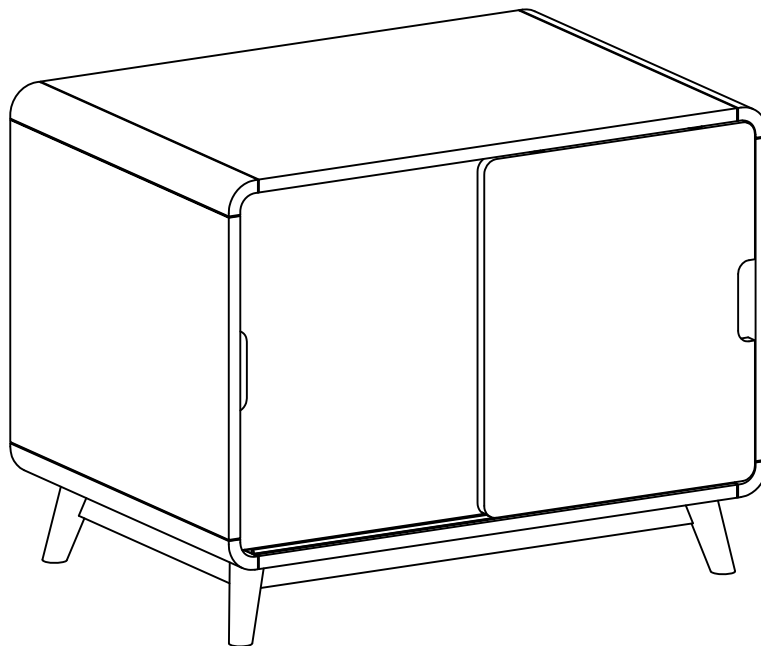


hayneedle



ITEM NAME: Boomer& George Carter Mid-Century Modern Cat Litter Box

SKU: REDU100-1



For assistance with assembly, please contact customer service
1-888-880-4884

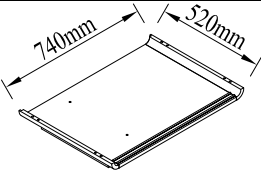
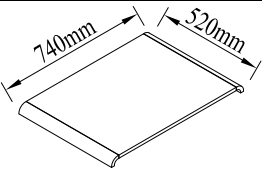
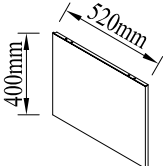
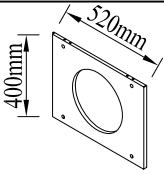
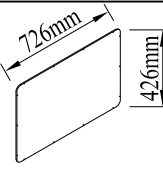
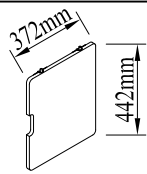
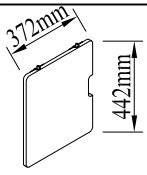
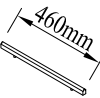
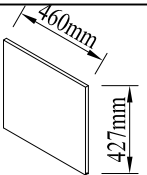
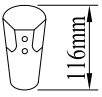
PRE-ASSEMBLY PREPARATION:



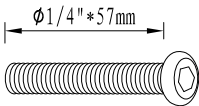
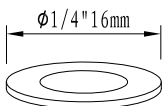
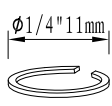
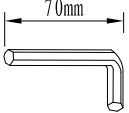
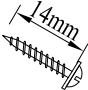
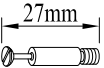

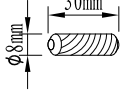
DO NOT LET CHILDREN PLAY IN OR AROUND THE UNIT DUE TO THE POSSIBLE RISK OF FINGER ENTRAPMENT

- Please read through this instructions before beginning assembly.
- Two adults recommended for assembly.
- Clear out the space for assembly and lay out all parts based on Parts List, extra room will allow you to easily determine if all the pieces are present.
- Save all packing materials until assembly is complete to avoid accidentally discarding smaller parts or hardware.
- Keep small parts and pieces away from children until full assembled.
- Please check for any loose screws and tighten them before you use.

PANEL AND FITTINGS IDENTIFICATION:

 <p>Bottom Frame (1) Qty:1</p>	 <p>Top Frame (2) Qty:1</p>	 <p>Left Side Panel (3) Qty:1</p>
 <p>Right Side Panel (4) Qty:1</p>	 <p>Back Panel (5) Qty:1</p>	 <p>Left Door (6) Qty:1</p>
 <p>Right Door (7) Qty:1</p>	 <p>Sliding Rail (8) Qty:1</p>	 <p>Runner Board (9) Qty:1</p>
 <p>Leg (10) Qty:4</p>		

HARDWARE LIST:

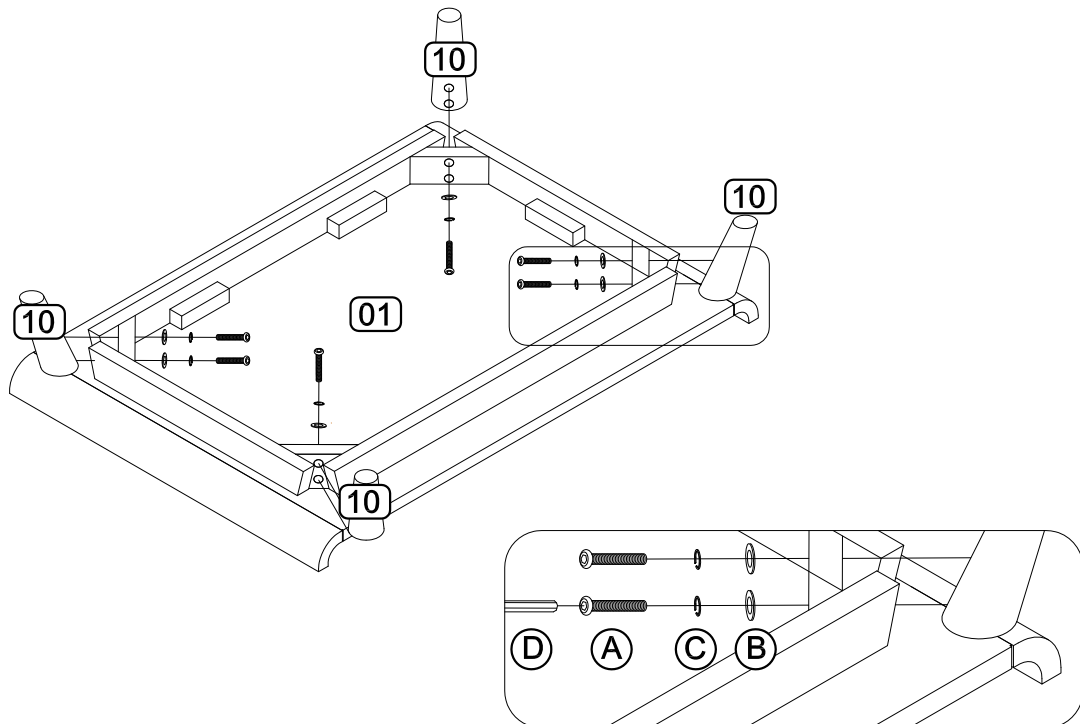
 <p>Bolt (A) Qty:8</p>	 <p>Flat Washer (B) Qty:8</p>	 <p>Spring Washer (C) Qty:8</p>
 <p>Allen Key (D) Qty:1</p>	 <p>Screw (E) Qty:14</p>	 <p>Cam Pin (F) Qty:8</p>
 <p>Cam Lock (G) Qty:8</p>	 <p>Wood Dowel (H) Qty:8</p>	

STEP-BY-STEP ASSEMBLY

1

STEP 1:

Fix the Legs (10) to Bottom Frames (01) using Bolts (A) with Spring Washers (C) and Flat Washer (B), then tighten with Allen Key (D)



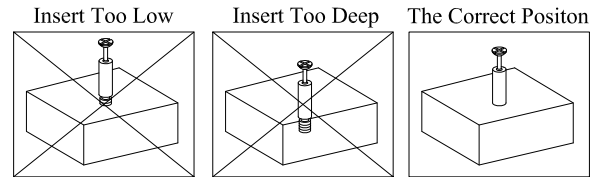
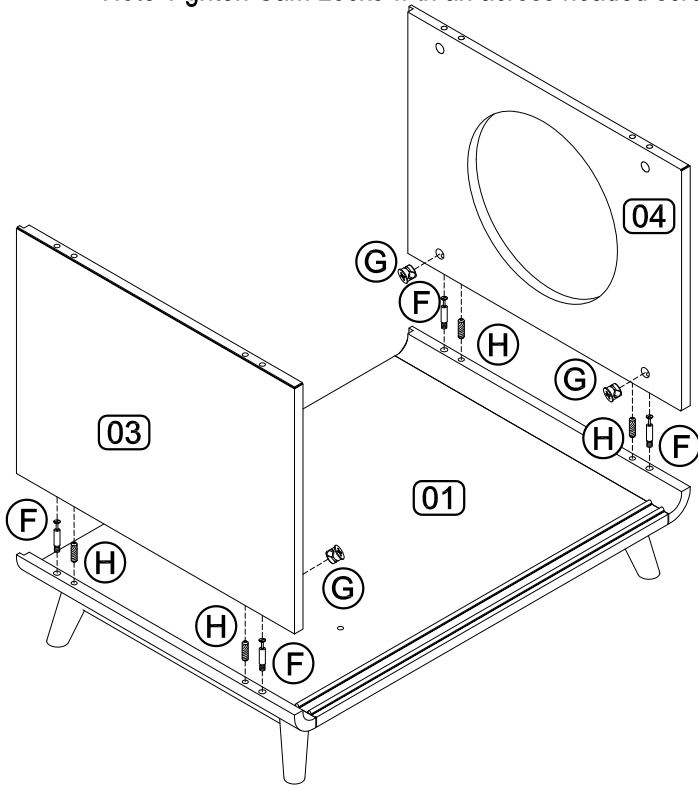
STEP-BY-STEP ASSEMBLY

2

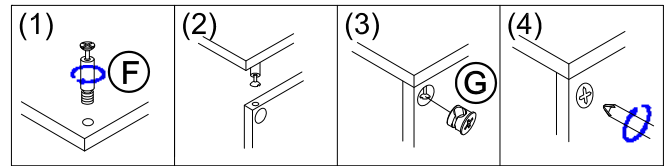
STEP 2:

Turn over the Bottom Frame with legs. Insert Cam Pins (F) and Wooden Dowels (H) into the Bottom Frame, then attach Left Side (03), Right Side (04), Bottom Frame locking with Cam locks (G).

Note: Tighten Cam Locks with an across headed screwdriver (not supplied). see details as below.



DETAIL STEP PLEASE SEE THE BELOW PICTURE.



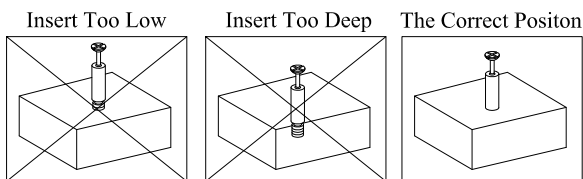
3

STEP 3:

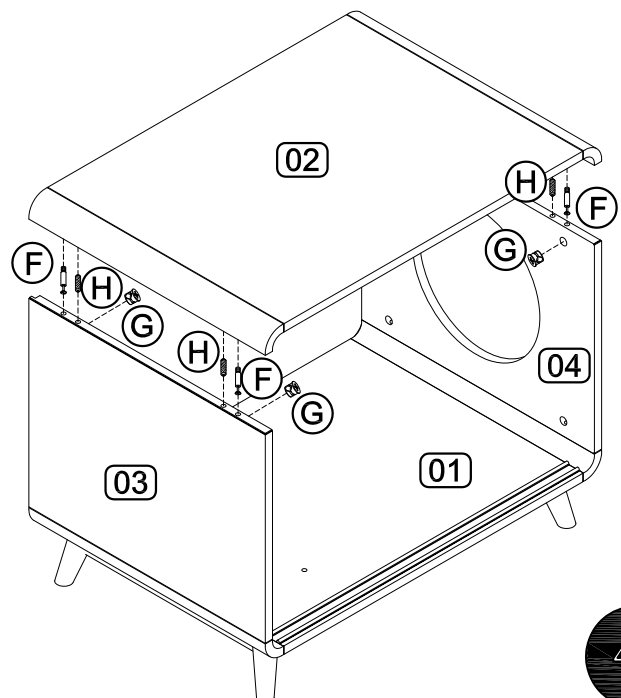
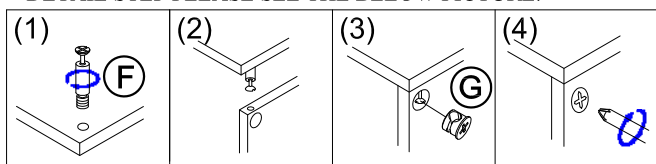
- Insert Cam Pins (F) to the Top Frame (02) and Insert the Wooden Dowels (H) to the pre-assembled boards, see details as below.

- Attach the Top Frame to the pre-assembled unit using Cam Locks (G).

Note: Tighten Cam Locks with an across headed screwdriver (not supplied). see details as below.



DETAIL STEP PLEASE SEE THE BELOW PICTURE.



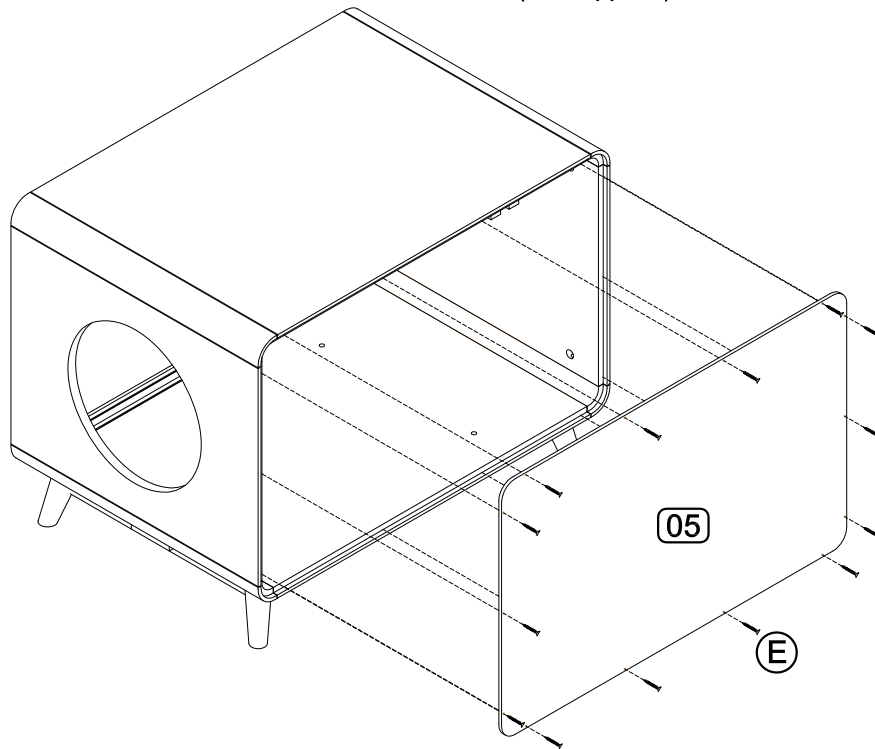
STEP-BY-STEP ASSEMBLY

4

STEP 4:

Attach the Back Panel (05) to the unit using Screws (E).

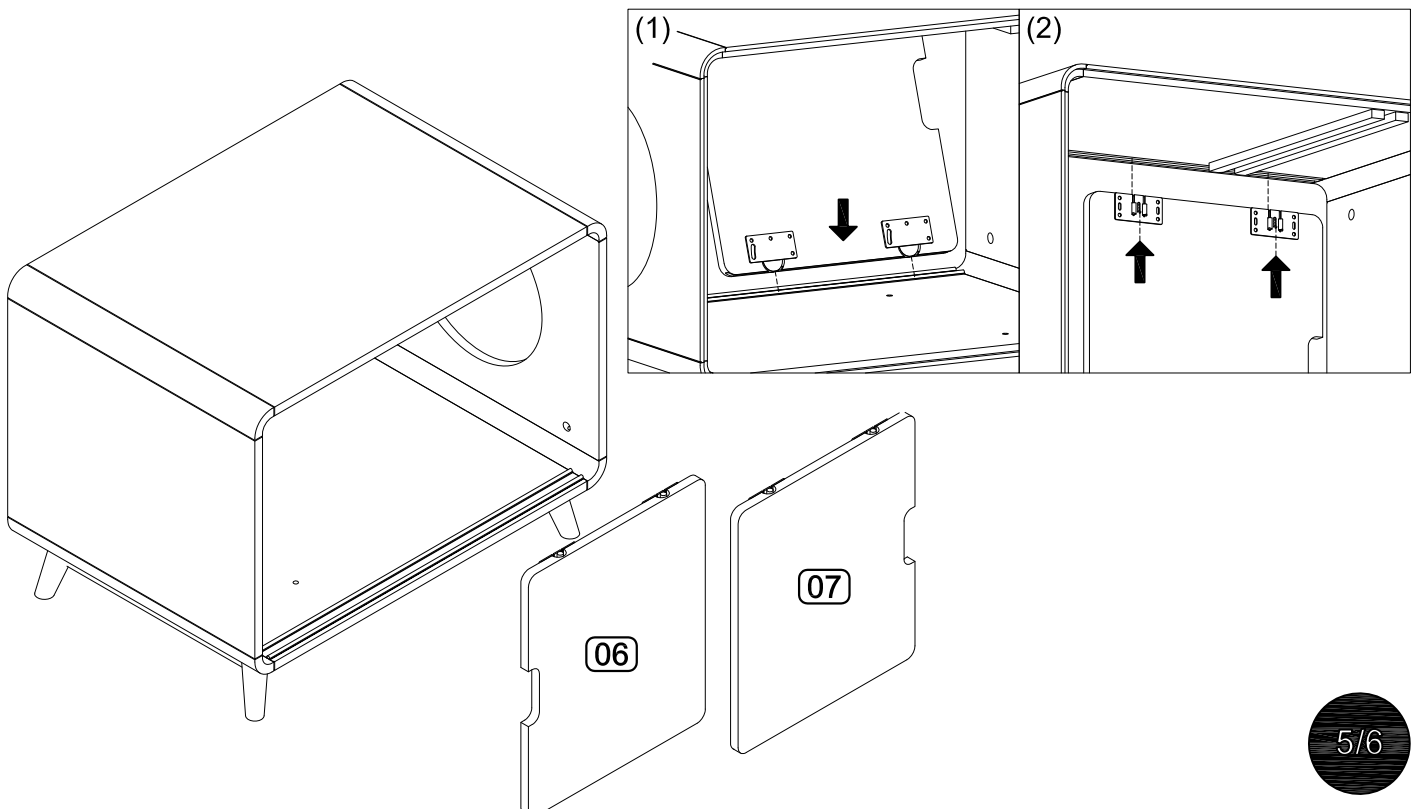
Note: Tighten Cam Locks with an across headed screwdriver (not supplied). see details as below.



5

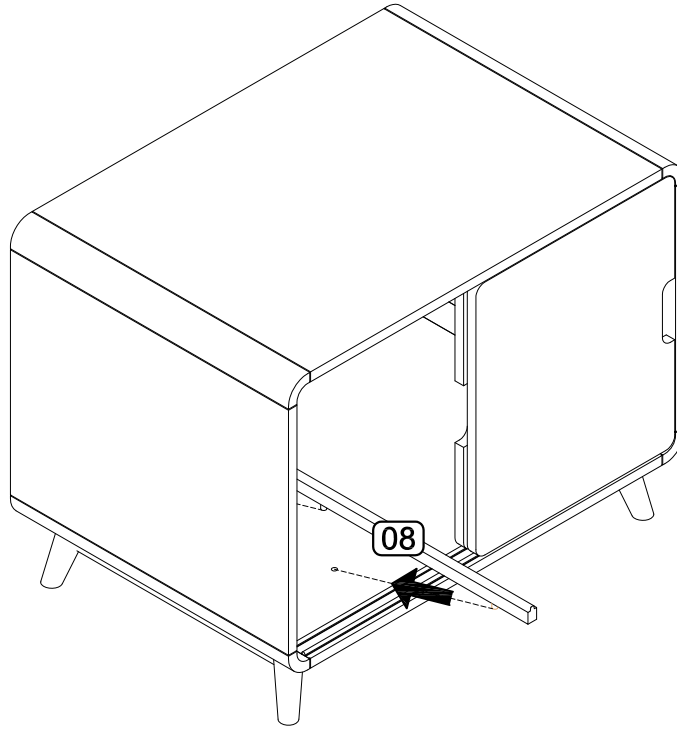
STEP 5:

Insert door panel in the combination sheet, (1) the door on the rail, (2) at the bottom of the panel to press the button to push the slide slot, see details as below.



STEP-BY-STEP ASSEMBLY

- 6** STEP 6:
Slide (08) insert Bottom frame of turning leg, see details as below.



- 7** STEP 7:
The partition board (09) is put on the track, see details as below.

