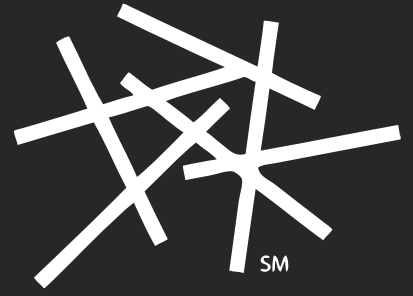
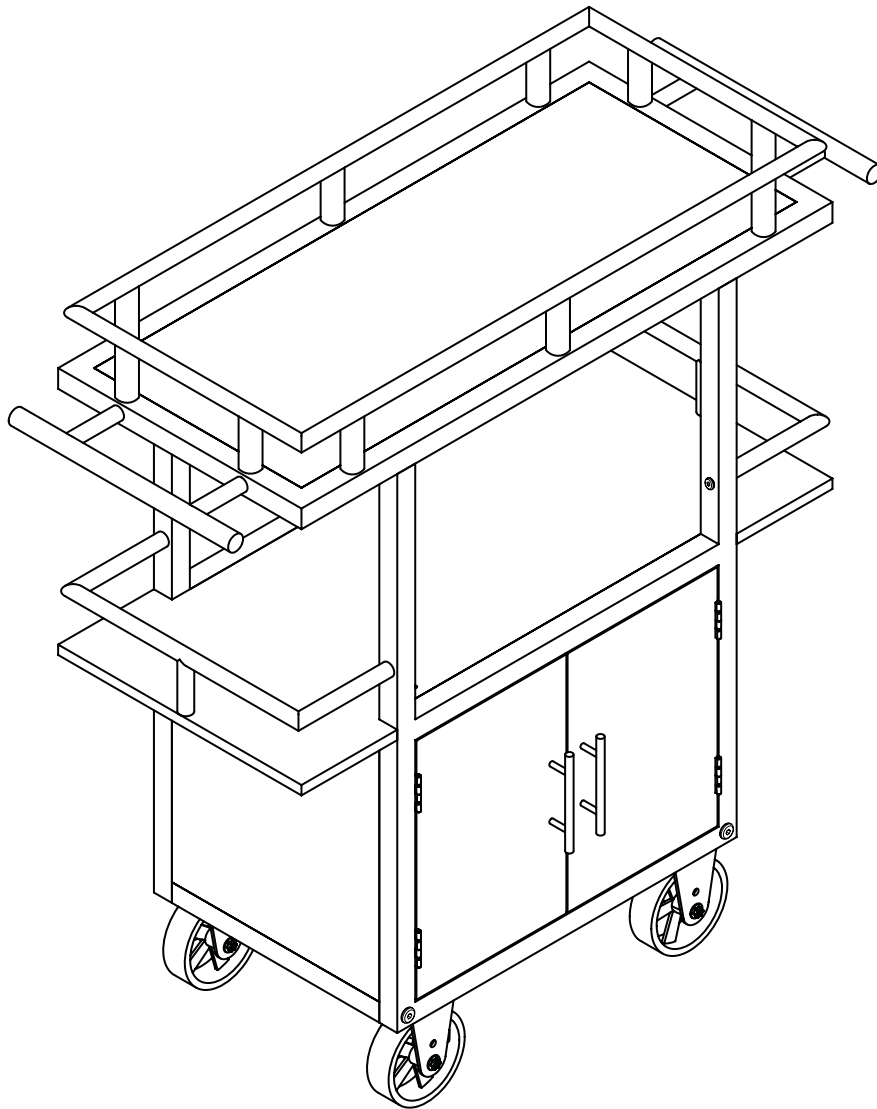


hayneedle



ITEM NAME: Belham Living Jamestown Industrial Bar Cart

SKU: REDU088-1



For assistance with assembly, please contact customer service
1-888-880-4884

PRE-ASSEMBLY PREPARATION:



DO NOT LET CHILDREN PLAY IN OR AROUND THE UNIT DUE TO THE POSSIBLE RISK OF FINGER ENTRAPMENT

- Please read through these instructions before beginning assembly.
- Two adults are recommended for assembly.
- Clear out the space for assembly and lay out all parts based on Parts List, extra room will allow you to easily determine if all the pieces are present.
- Save all packing materials until assembly is complete to avoid accidentally discarding smaller parts or hardware.
- Keep small parts and pieces away from children until fully assembled.
- Please check for any loose screws and tighten them before you use.

PANEL AND FITTINGS IDENTIFICATION:

| | | |
|-------------------------------|-------------------------------|--|
| <p>Top Frame (1) Qty:1</p> | <p>Back Frame (2) Qty:1</p> | <p>Side Panel (3) Qty:2</p> |
| <p>Front Frame (4) Qty:1</p> | <p>Middle Shelf (5) Qty:1</p> | <p>Bottom Rail(6) Qty:2</p> |
| <p>Bottom Panel (7) Qty:1</p> | <p>Wine Holder (8) Qty:1</p> | <p>Phillips Screwdriver (not provided)</p> |

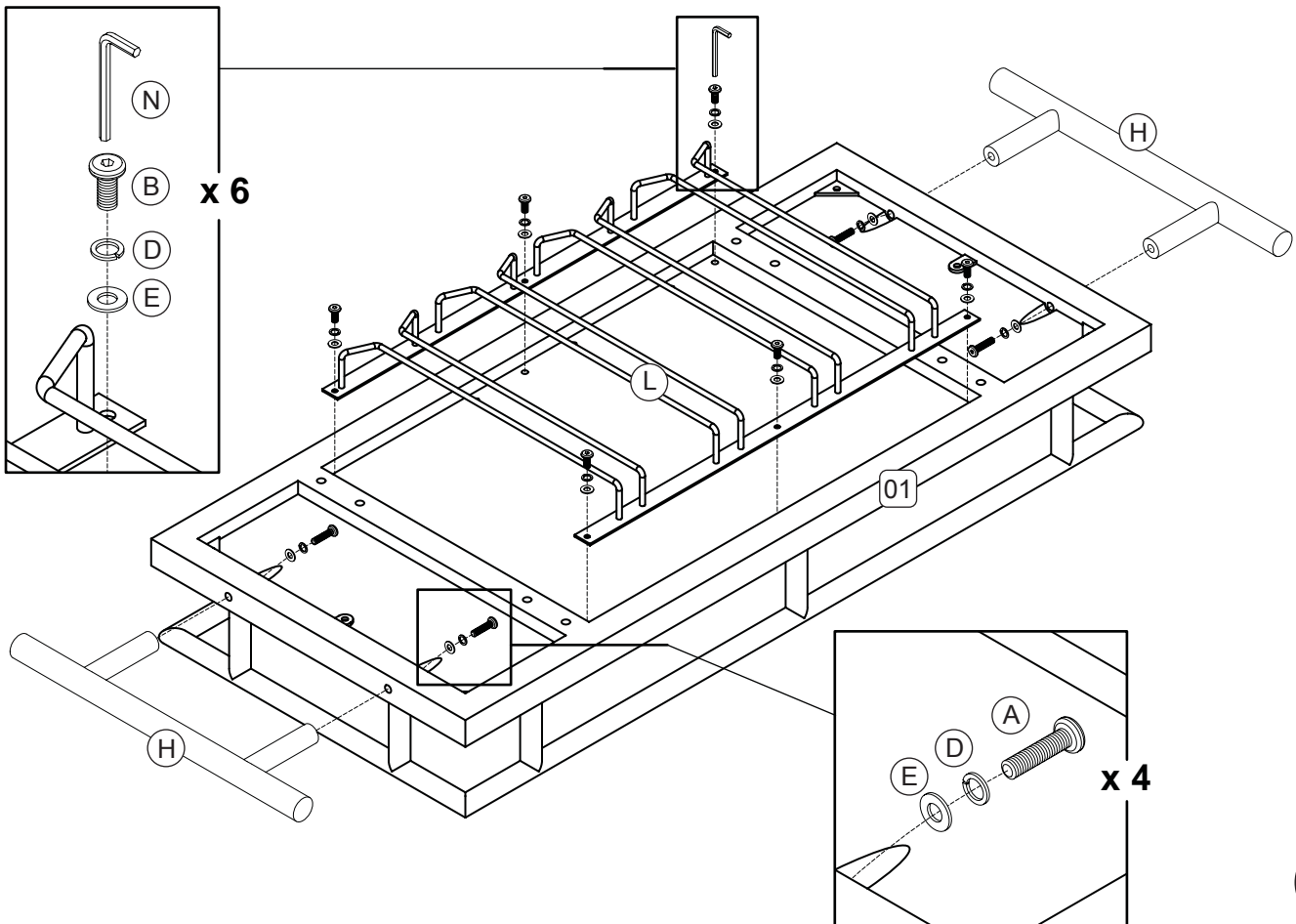
HARDWARE LIST:

| | | |
|---------------------------------|-------------------------------|------------------------|
| <p>Bolt (A) Qty:14</p> | <p>Bolt (B) Qty:32</p> | <p>Bolt (C) Qty:4</p> |
| <p>Spring Washer (D) Qty:46</p> | <p>Flat Washer (E) Qty:46</p> | <p>Screw (F) Qty:4</p> |

| | | | | | |
|---------------|-------|-------------------|-------|----------------|-------|
| Shelf Bar (G) | Qty:2 | Handle (H) | Qty:2 | Handle (I) | Qty:2 |
| Door Clip (J) | Qty:2 | Shelf Bracket (K) | Qty:4 | Cup Holder (L) | Qty:1 |
| Wheel (M) | Qty:4 | Allen Key (N) | Qty:1 | Key (O) | Qty:1 |

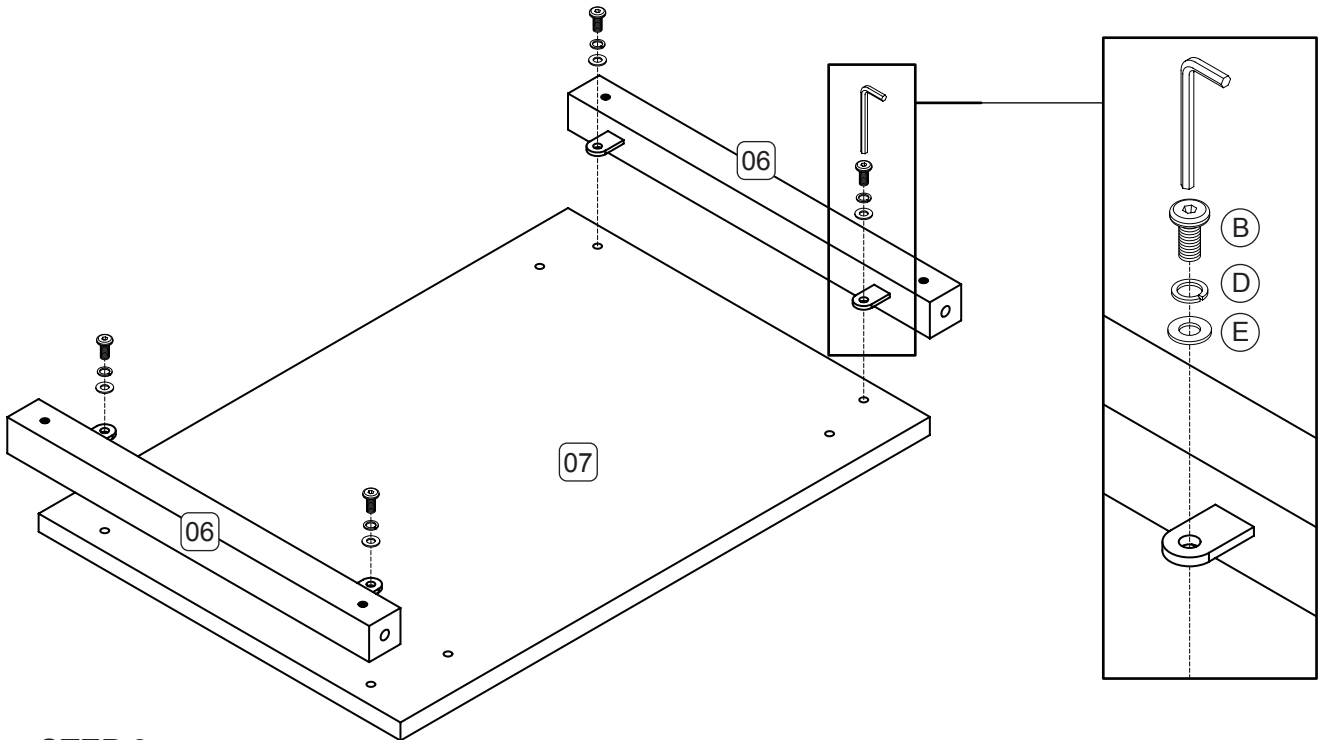
STEP-BY-STEP ASSEMBLY:

- 1** STEP 1:
 Attach Cup Holder (L) to back of Top Frame (01) using Bolts (B) with Spring Washers (D) and Flat Washers (E), tighten with Allen Key (N).
 Assemble Handles (H) to Top Frame using Bolts (A) with Spring Washers (D) and Flat Washers (E), tighten with Allen Key (N).

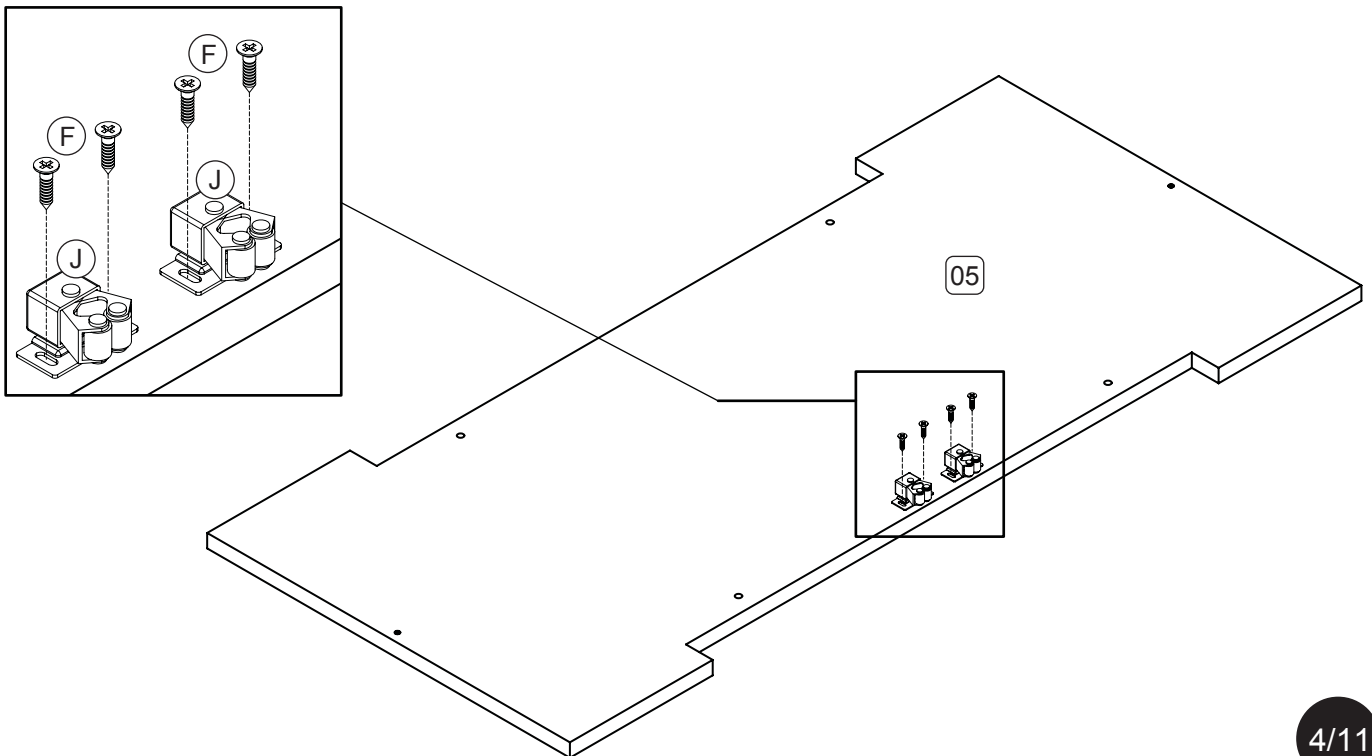


STEP-BY-STEP ASSEMBLY:

- 2** STEP 2:
Assemble Bottom Bars (06) to Bottom Panel (07) using Bolts (B) with Spring Washers (D) and Flat Washers (E), tighten with Allen Key (N).

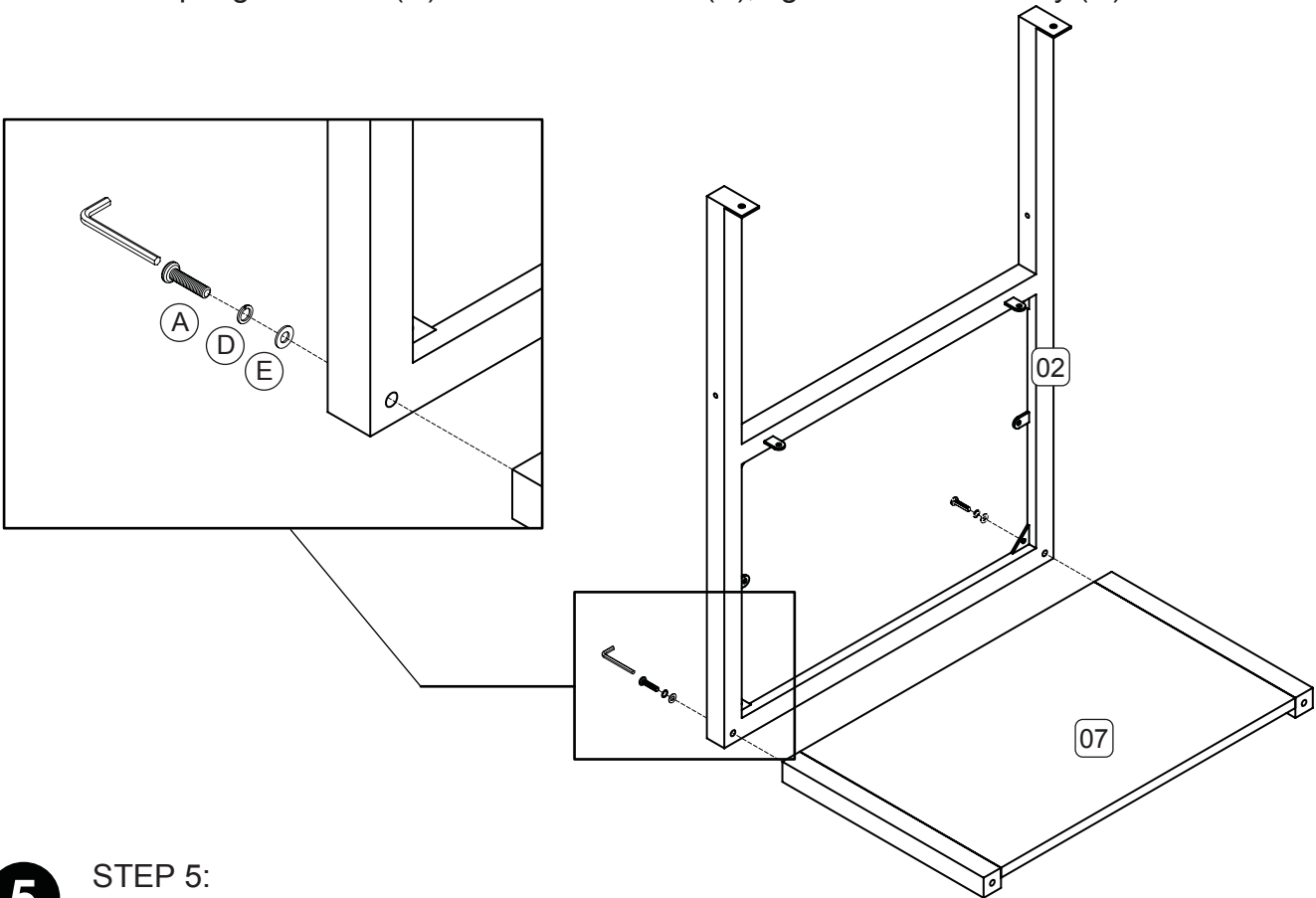


- 3** STEP 3:
Fix Door Clips (J) to Middle Shelf (05) using Screws (F), tighten with a cross-headed handle screwdriver (not supplied).
Note: Door Clip (J) need march the other side which pre-assembled on the top of each door, adjust (J) by loosing the screws slightly and close one of the doors to march the matel correctly and tighten screws again.

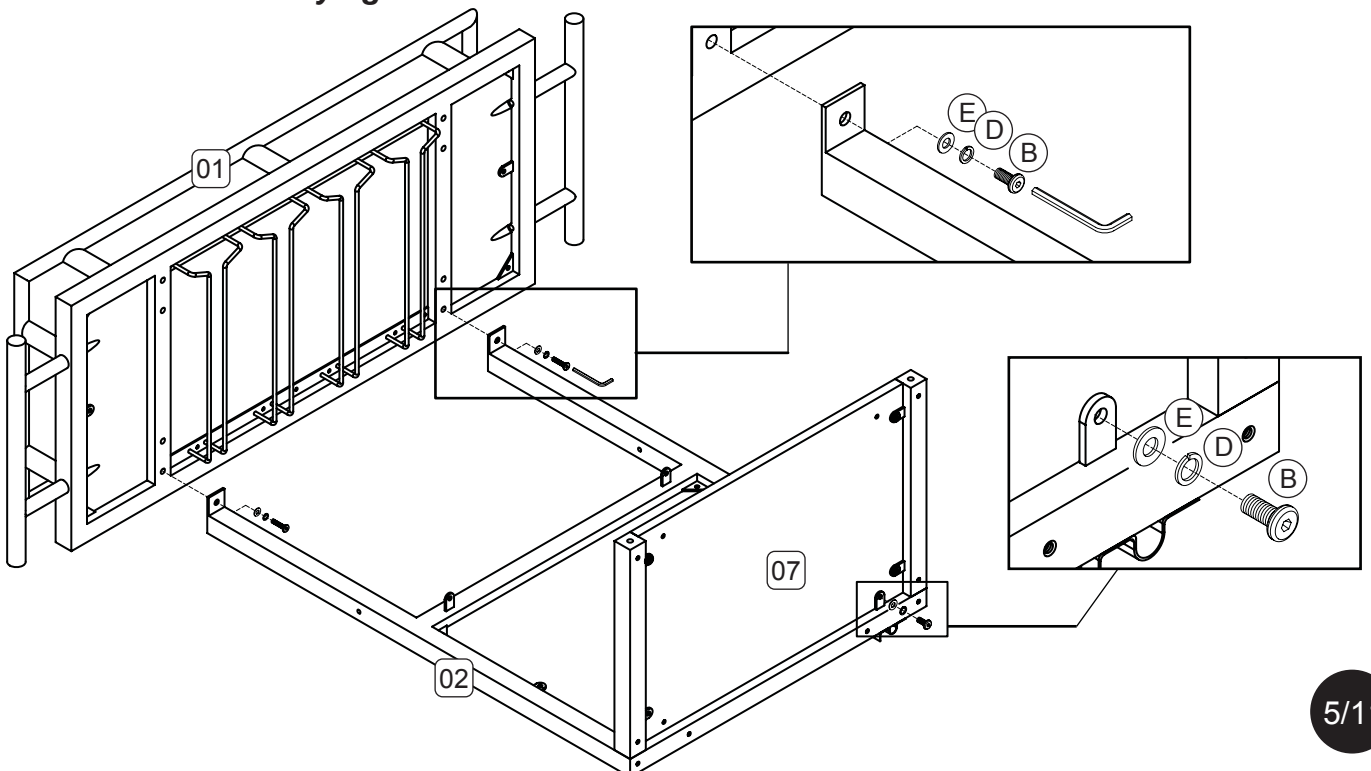


STEP-BY-STEP ASSEMBLY:

- 4** STEP 4:
Attach Back Frame (02) to the assembled Bottom Bars with Bottom Panel (07) using Bolts (A) with Spring Washers (D) and Flat Washers (E), tighten with Allen Key (N).

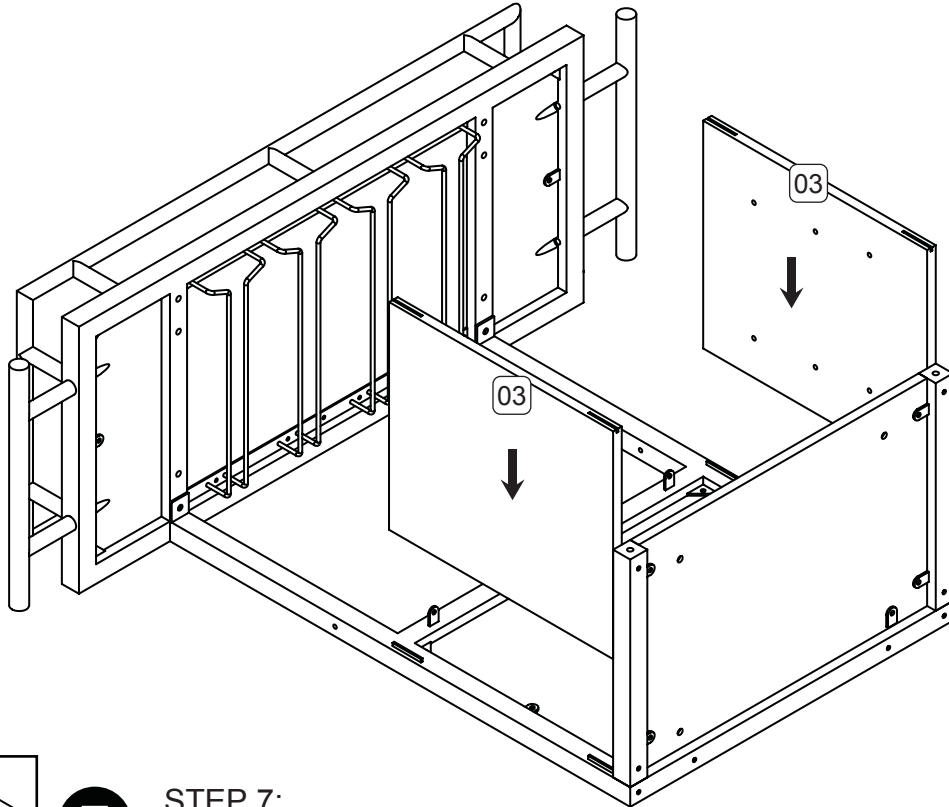


- 5** STEP 5:
• Attach the assembled Bottom Frame (02) to the assembled Top Frame (01) using Bolts (B) with Spring Washers (D) and Flat Washers (E), tighten with Allen Key (N).
• Fix Bolt (B) with Spring Washer (D) and Flat Washer (E) on the right corner of bottom panel.
Note: Do not fully tighten bolts.

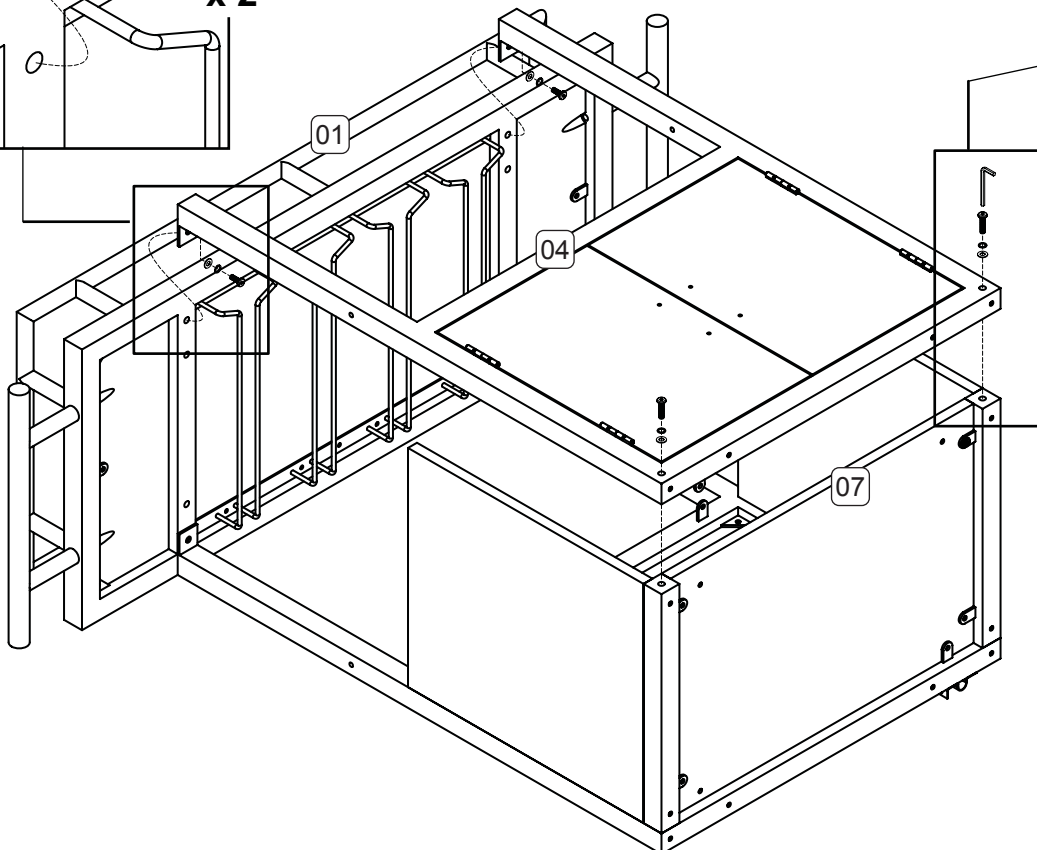
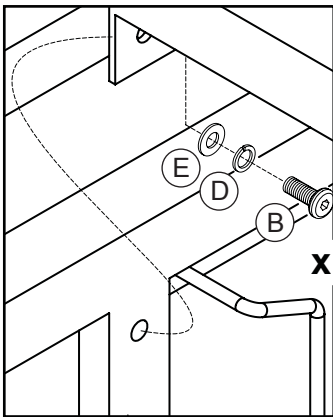


STEP-BY-STEP ASSEMBLY:

- 6** STEP 6:
Insert the Side Panel (03) to right place of the assembled back frame.

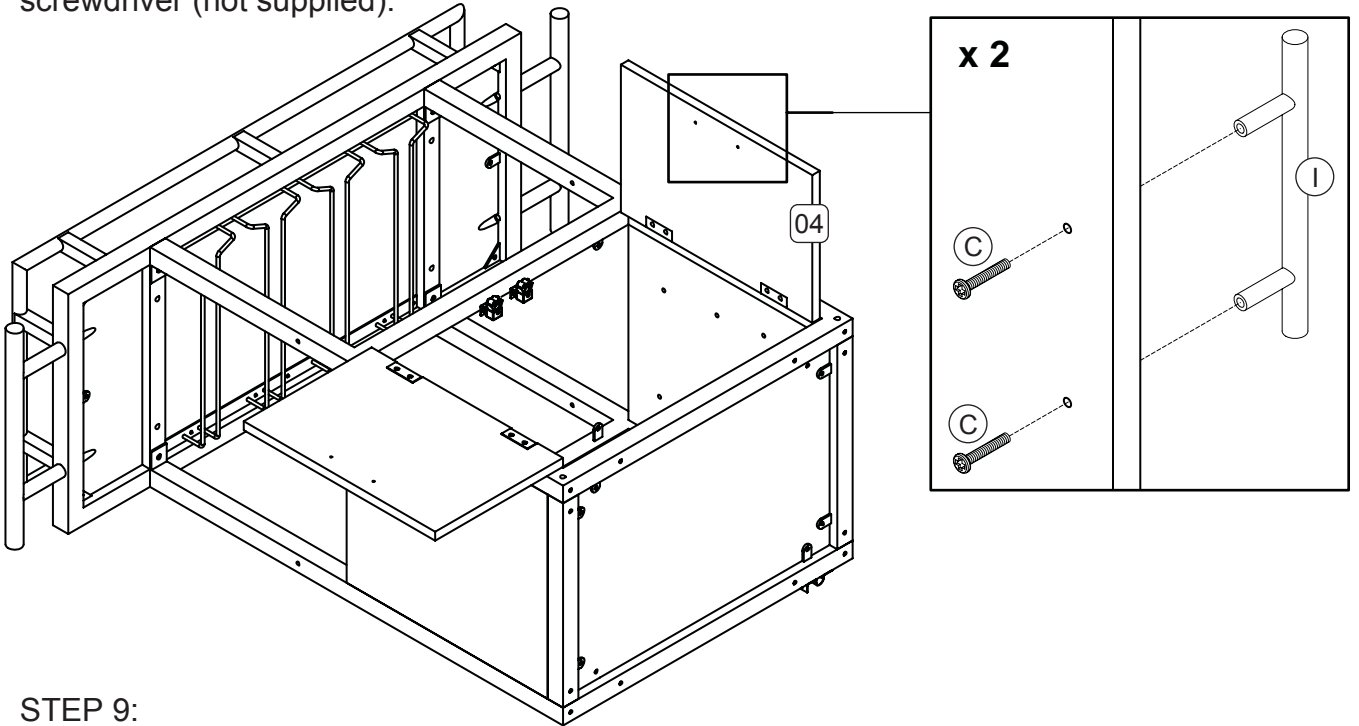


- 7** STEP 7:
Attach Front Frame (04) to the assemble back using Bolts (A) and B) with Spring Washers (D) and Flat Washers (E), tighten with Allen Key (N).
Note: Do not fully tighten bolts.

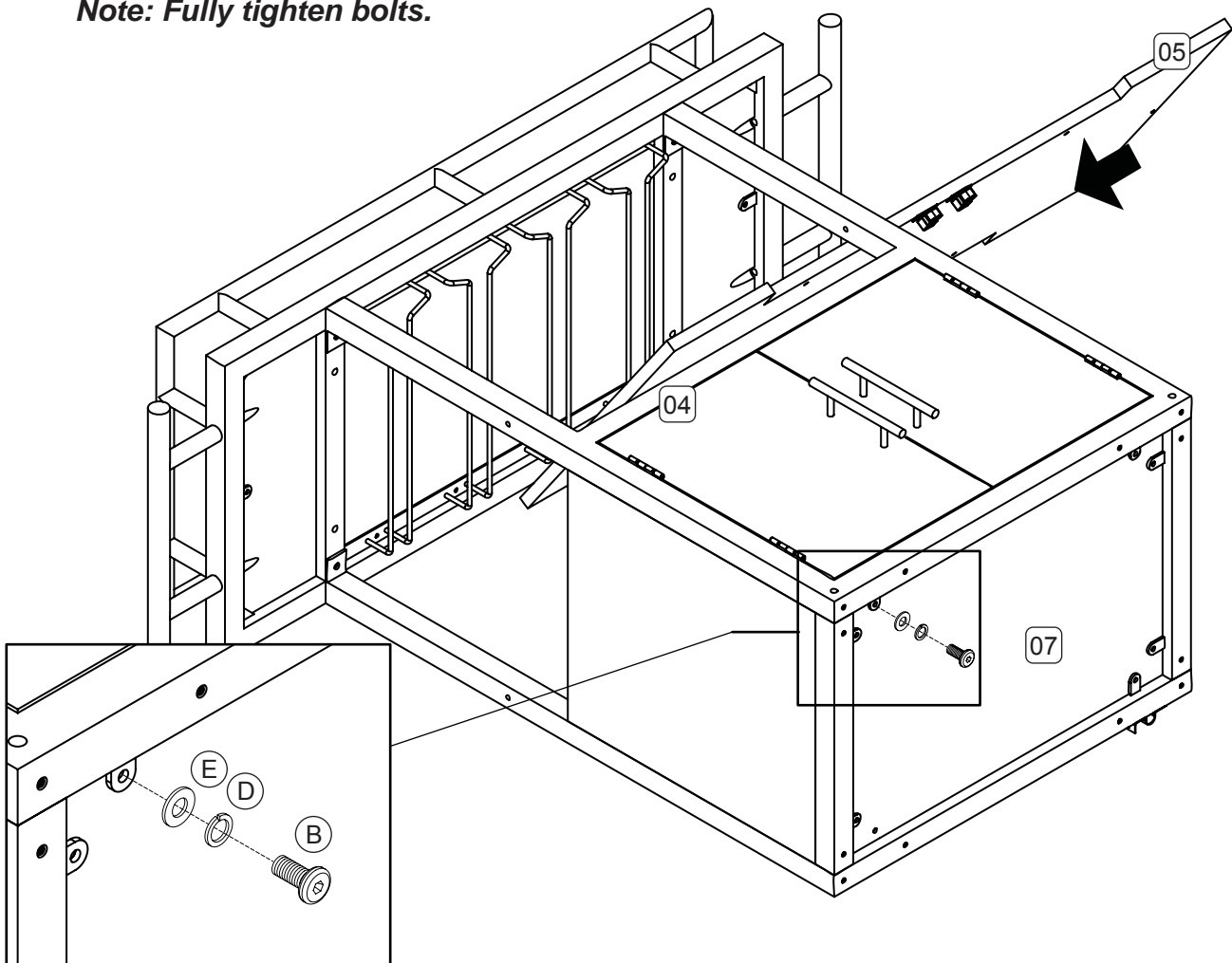


STEP-BY-STEP ASSEMBLY:

- 8** STEP 8:
Fix Handles (I) to doors one by one using Bolts (C) and tighten with a cross-headed handle screwdriver (not supplied).



- 9** STEP 9:
● Insert Middle Shelf (05) from side of the unit and place down the panel for fixing bolts.
● Fix Bolt (B) with Spring Washer (D) and Flat Washer (E) on the left corner of bottom panel.
Note: Fully tighten bolts.



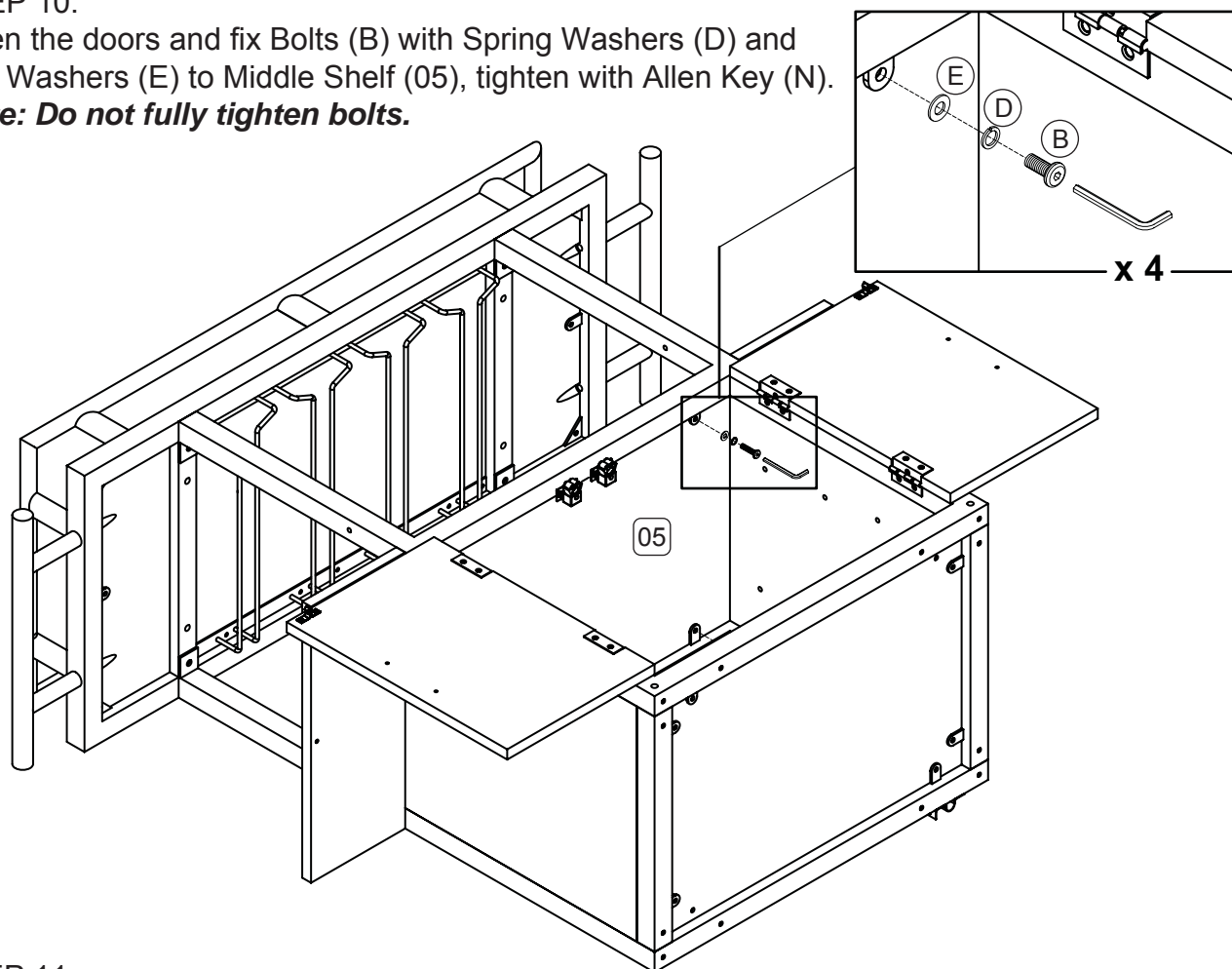
STEP-BY-STEP ASSEMBLY:

10

STEP 10:

Open the doors and fix Bolts (B) with Spring Washers (D) and Flat Washers (E) to Middle Shelf (05), tighten with Allen Key (N).

Note: Do not fully tighten bolts.

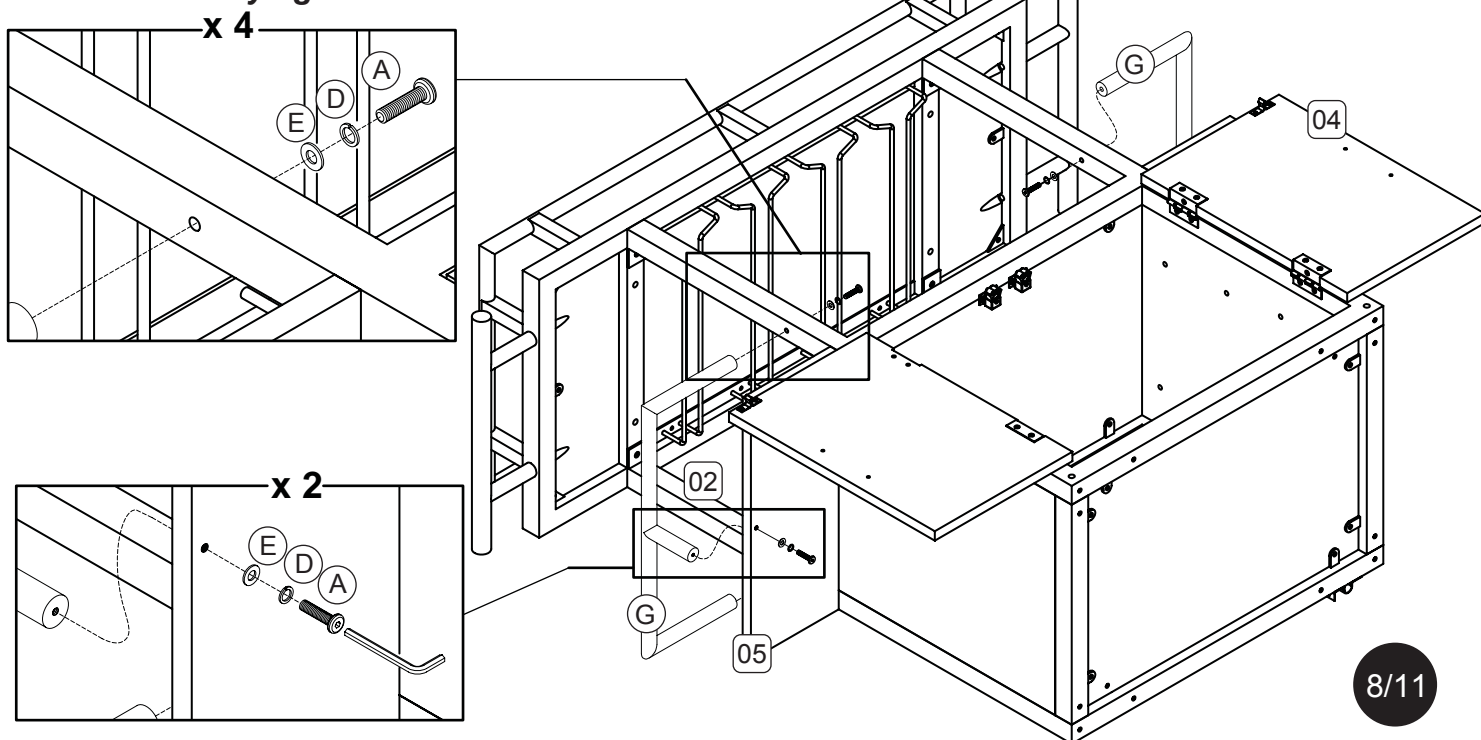


11

STEP 11:

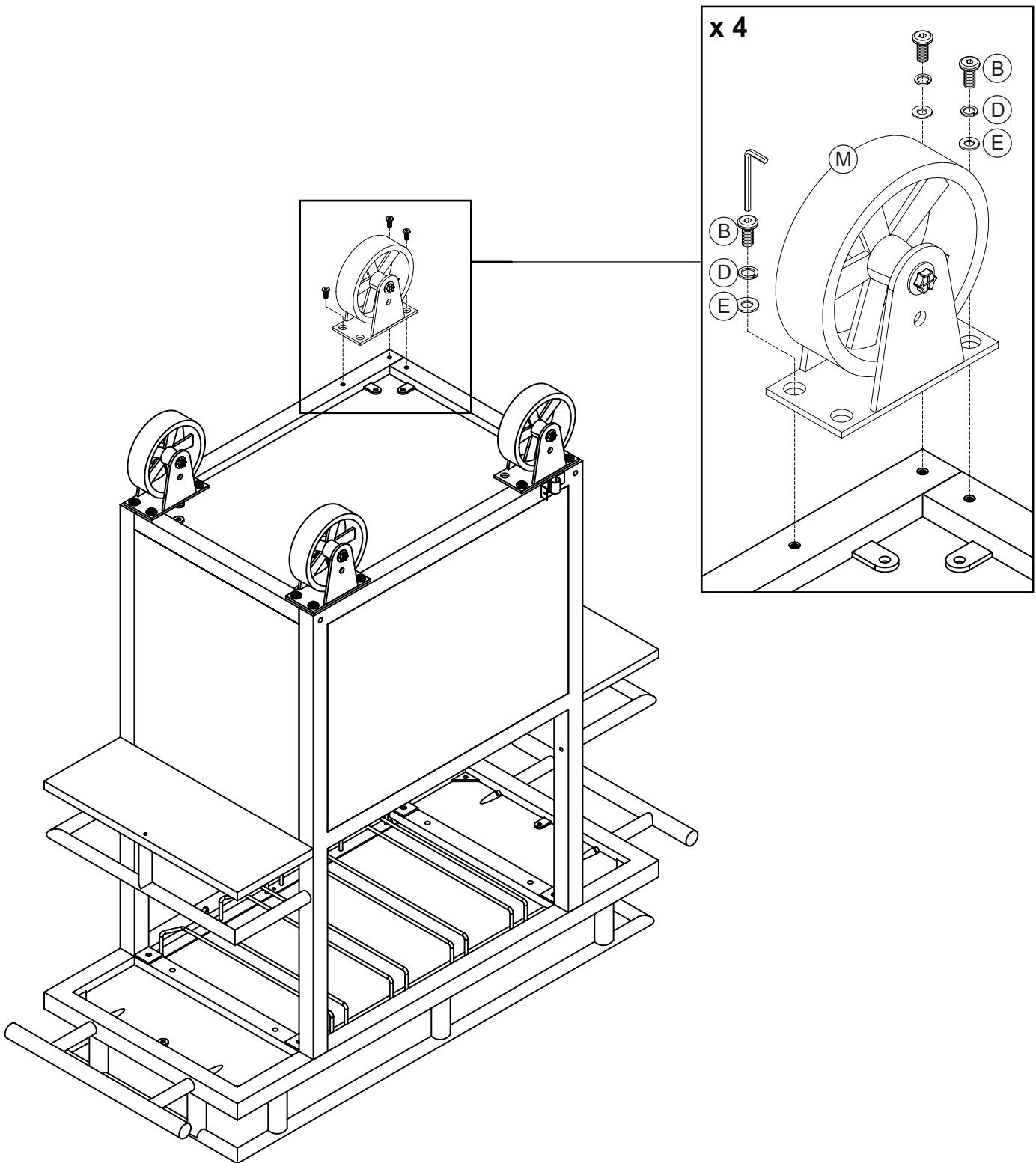
Assemble Shelf Bars (G) to Middle Shelf (05) and tube of the back frame and front frame using Bolts (A) with Spring Washers (D) and Flat Washers (E), tighten with Allen Key (N).

Note: fully tighten all bolts after bolts are fixed.



STEP-BY-STEP ASSEMBLY:

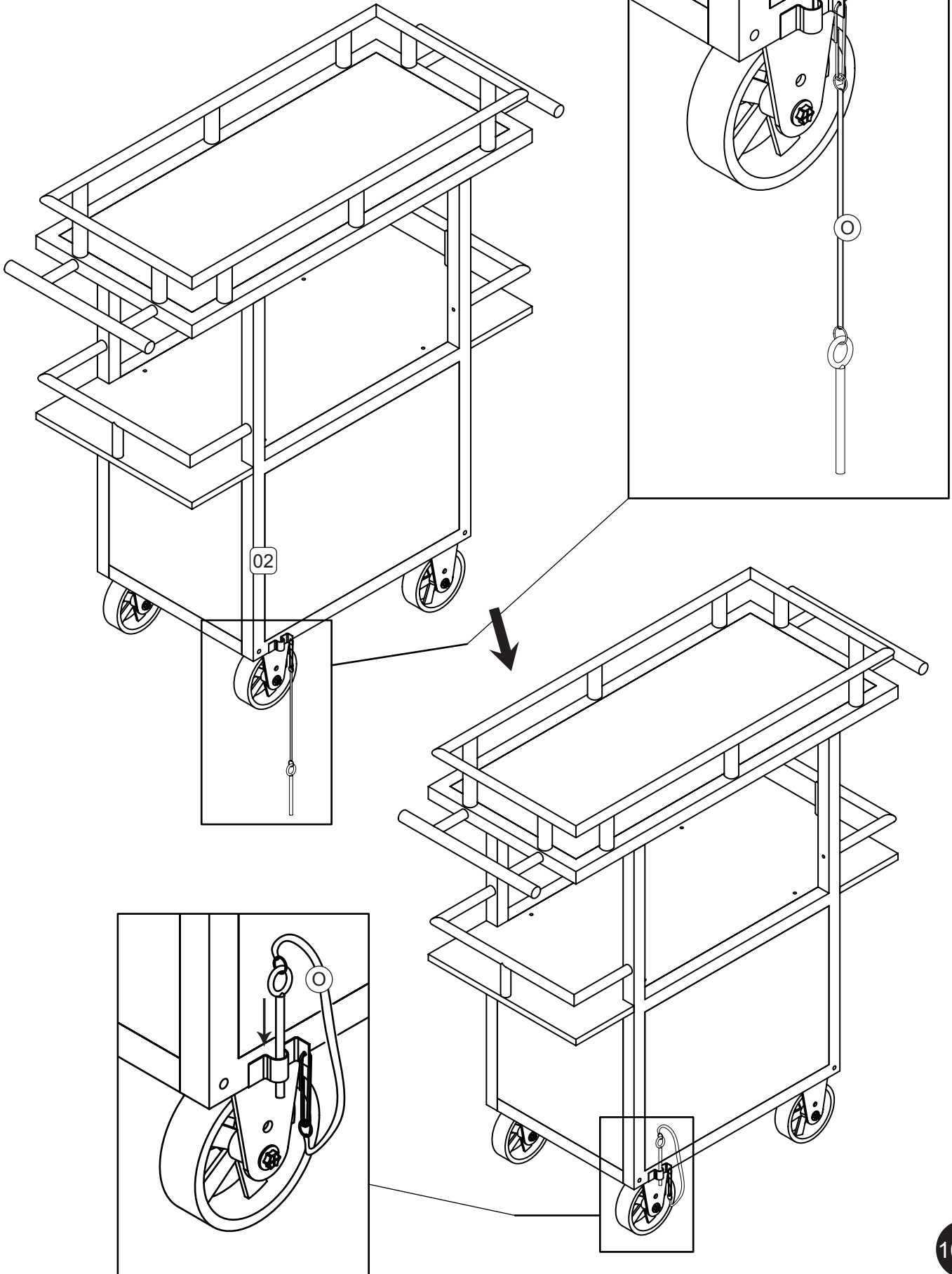
- 12** STEP 12:
Assemble Wheels (M) to the bottom of the unit using Bolts (B) with Spring Washers (D) and Flat Washers (E), tighten with Allen Key (N).



STEP-BY-STEP ASSEMBLY:

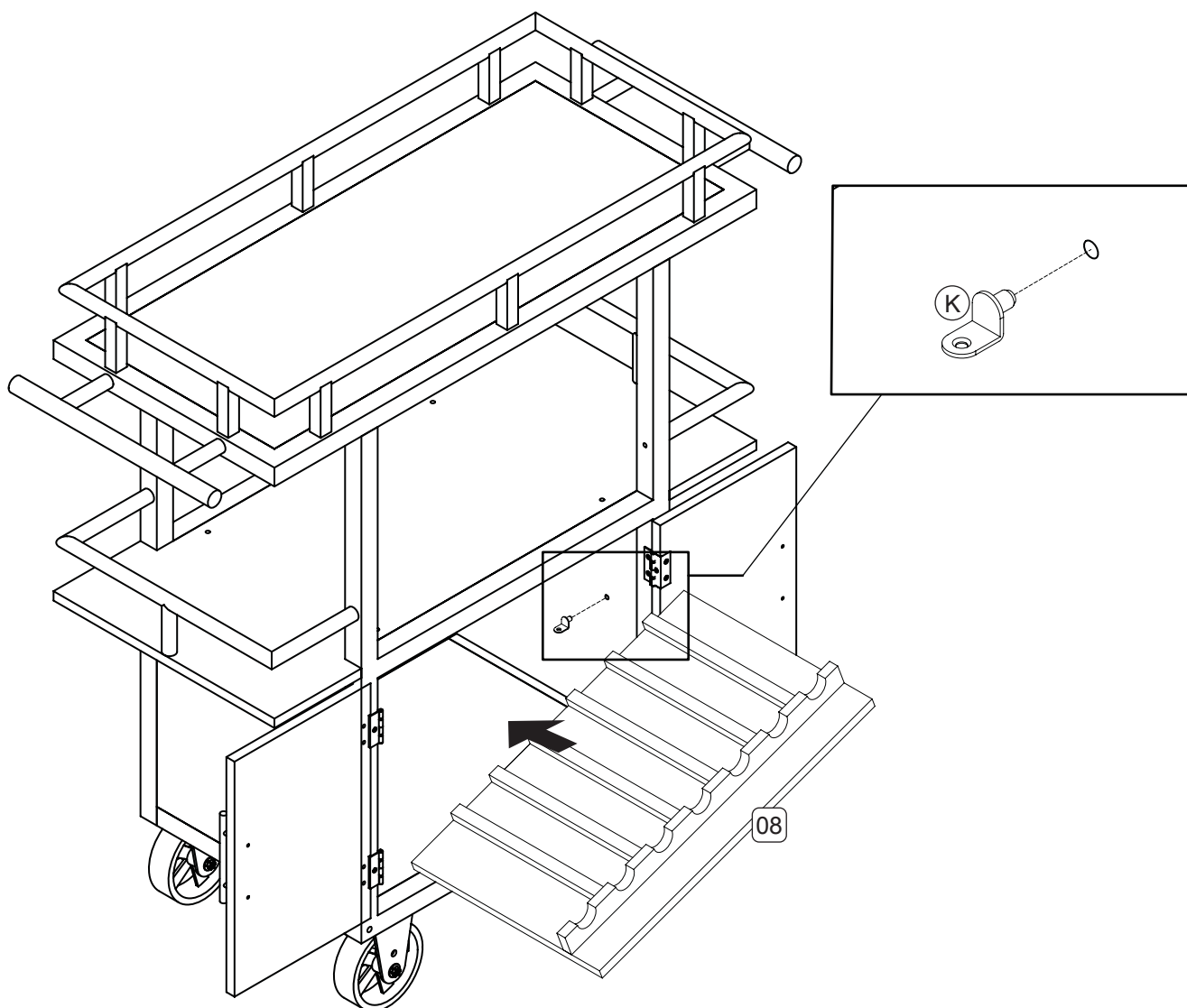
13

STEP 13:
Turn over the unit and lock the key (O) to the bracket.



STEP-BY-STEP ASSEMBLY:

- 14** STEP 14:
Insert Shelf Brackets (K) into the pre-drilled holes of Side Panels and place on the Wine holder (08). Then the Assembly is completed.



MAINTENANCE AND CARE TIPS FOR WOOD FURNITURE:

Wooden furniture caring tips:

- Always dust, wipe and clean in the direction of the wood grains.
- Check and re-tighten screws/blots after the product has been used for a period of time.
- Heat creates chemical changes in the furniture finish. As a result, whitish spots may appear.
- Dust with a soft cloth moistened with a polish, as the polish will help eliminate the scratching that occurs with dry dusting.
- Soap and water are not advisable for wood surfaces.
- Do not allow rubber or vinyl material to lay on the furniture.
- Liquid spills should be removed immediately. Using a soft clean cloth, blot the spill gently. Avoid rubbing.
- It is best to keep your furniture in a climate controlled environment. Extreme temperature and humidity changes can cause warping, shrinking and spitting of wood. It is advised to keep furniture away from direct sunlight as it may damage the finish.