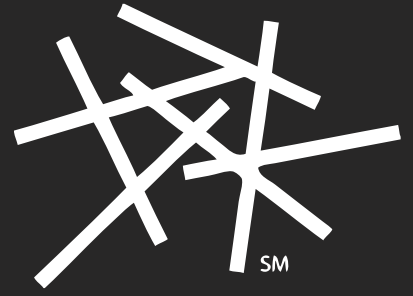
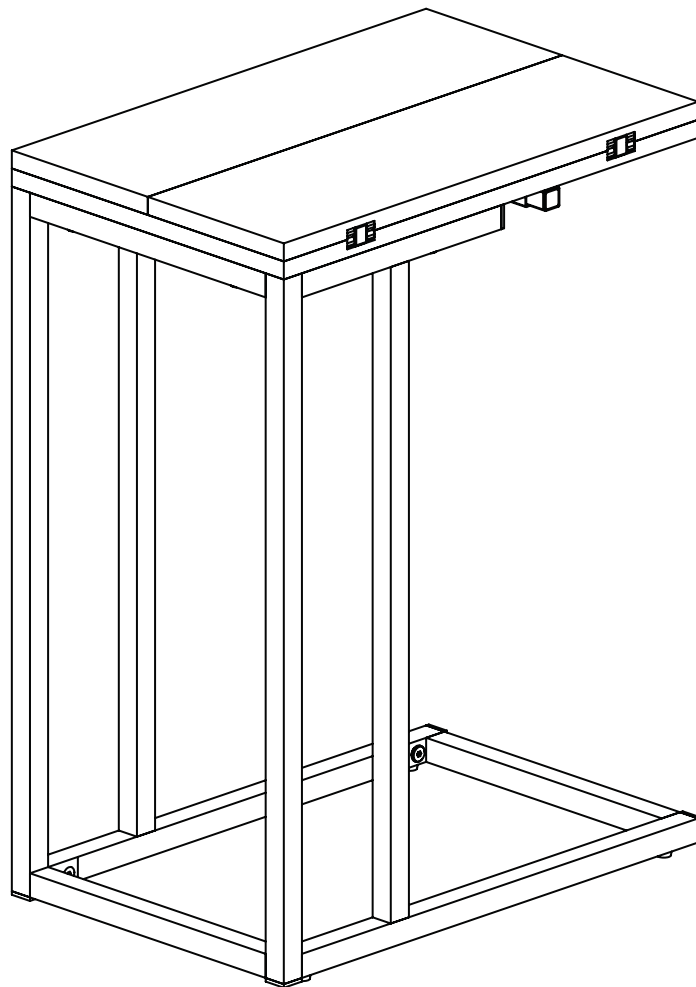


hayneedle



ITEM NAME: Finley Home Drake Expanding C-Table

SKU: REDU078-1



For assistance with assembly, please contact customer service
1-888-880-4884

PRE-ASSEMBLY PREPARATION:



DO NOT LET CHILDREN PLAY IN OR AROUND THE UNIT DUE TO THE POSSIBLE RISK OF FINGER ENTRAPMENT

- Please read through these instructions before beginning assembly.
- Clear out the space for assembly and lay out all parts based on Parts List, extra room will allow you to easily determine if all the pieces are present.
- Save all packing materials until assembly is complete to avoid accidentally discarding smaller parts or hardware.
- Keep small parts and pieces away from children until fully assembled.
- Please check for any loose screws and tighten them before you use.

PANEL AND FITTINGS IDENTIFICATION:

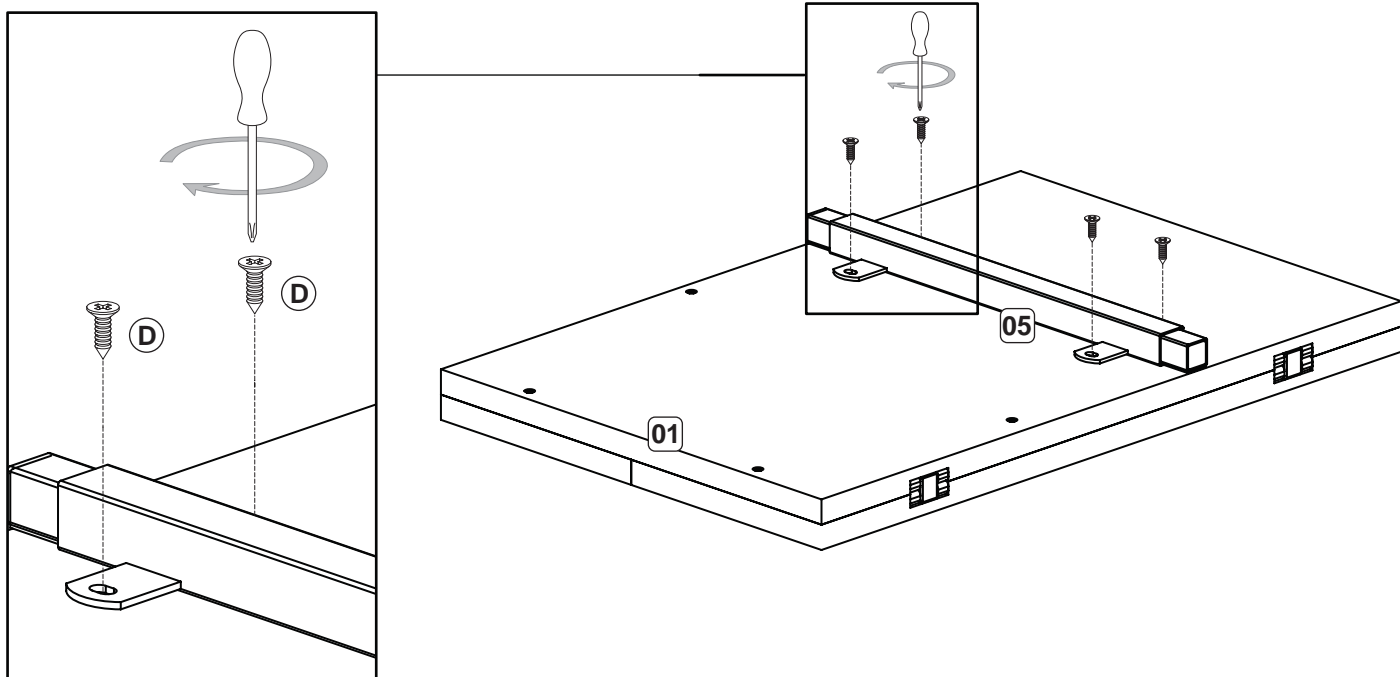
<p>Top (1) Qty:1</p>	<p>Side (2) Qty:2</p>	<p>Upper Cross-Bar (3) Qty:1</p>
<p>Lower Cross-Bar (4) Qty:3</p>	<p>Bracket (5) Qty:1</p>	

HARDWARE LIST:

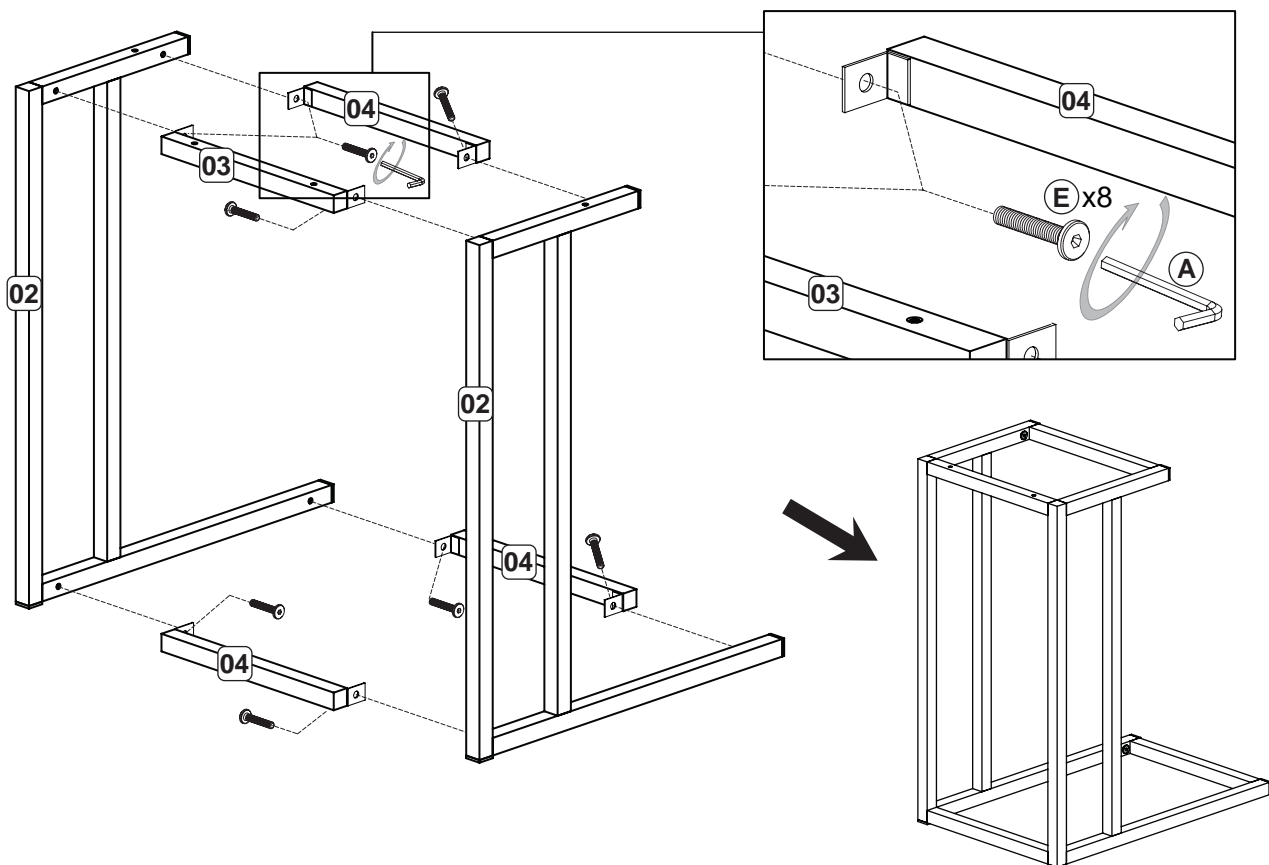
<p>Allen Key (A) Qty:1</p>	<p>Long Bolt (B) Qty:4</p>	<p>Feet (C) Qty:4</p>
<p>Screw (D) Qty:4</p>	<p>Short Bolt (E) Qty:8</p>	<p>Phillips Screwdriver (not provided)</p>

STEP-BY-STEP ASSEMBLY:

- 1** STEP 1:
Use four Screws (D) to secure the Bracket (5) to the Top (1).

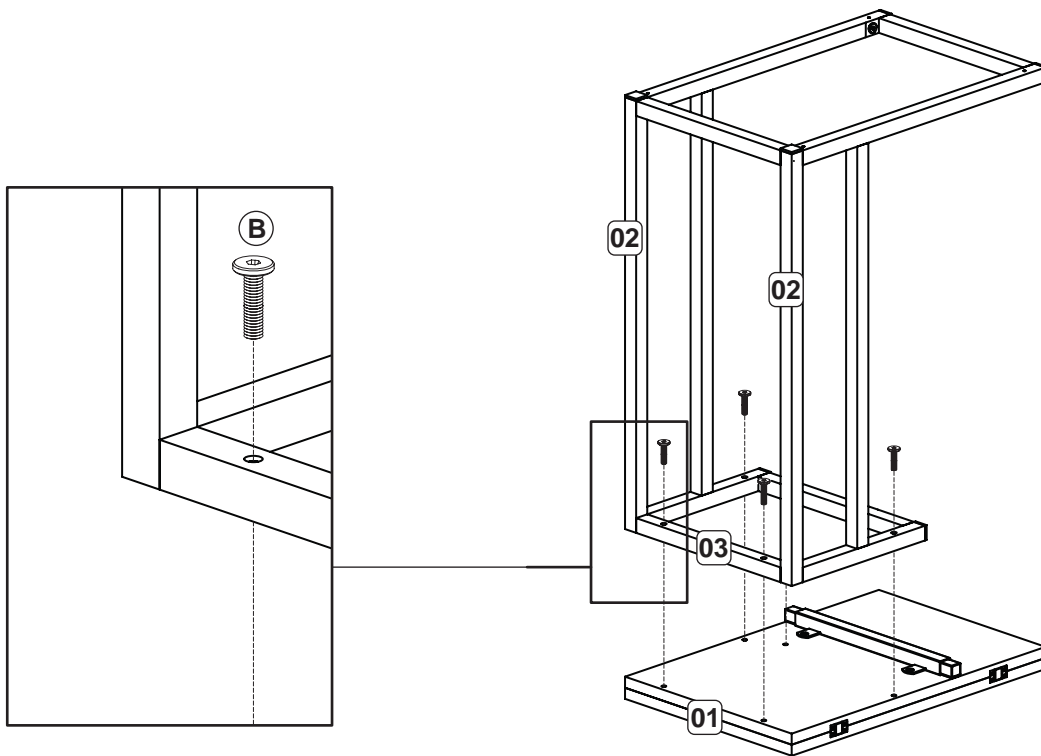


- 2** STEP 2:
Use the Allen Key and eight Short Bolts (E) to loosely attach the Sides (2) to the Upper Cross-Bar (3) and Lower Cross-Bar (4).

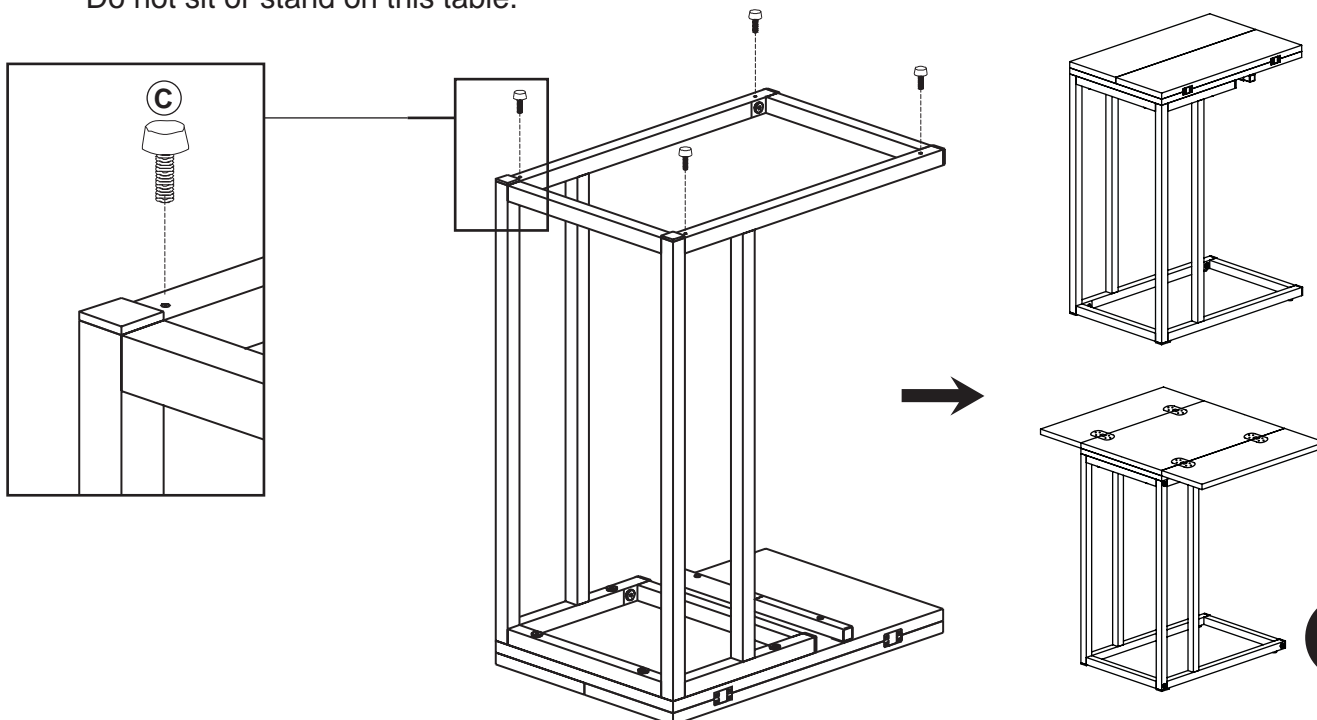


STEP-BY-STEP ASSEMBLY:

- 3** STEP 3:
Use the Allen Key with four Long Bolts (B) to loosely attach the Upper Cross-Bars (3) the Top (1). Tighten these Screws after they have all been inserted.



- 4** STEP 4:
Insert the Feet (C) to the bottom of the Sides. Turn the table upright.
Note: If your floor is uneven, individual Feet can be turned to adjust their height, so they all contact the floor.
Caution: Do not load the unit with so much weight that the structure bends.
Do not sit or stand on this table.



MAINTENANCE AND CARE TIPS FOR WOOD FURNITURE:

Wooden furniture caring tips:

- Always dust, wipe and clean in the direction of the wood grains.
- Check and re-tighten screws/blots after the product has been used for a period of time.
- Heat creates chemical changes in the furniture finish. As a result, whitish spots may appear.
- Dust with a soft cloth moistened with a polish, as the polish will help eliminate the scratching that occurs with dry dusting.
- Soap and water are not advisable for wood surfaces.
- Do not allow rubber or vinyl material to lay on the furniture.
- Liquid spills should be removed immediately. Using a soft clean cloth, blot the spill gently. Avoid rubbing.
- It is best to keep your furniture in a climate controlled environment. Extreme temperature and humidity changes can cause warping, shrinking and spitting of wood. It is advised to keep furniture away from direct sunlight as it may damage the finish.