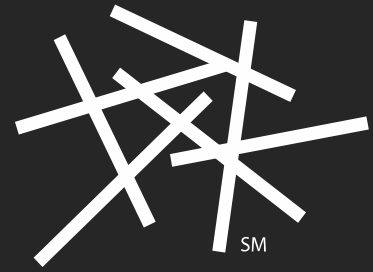
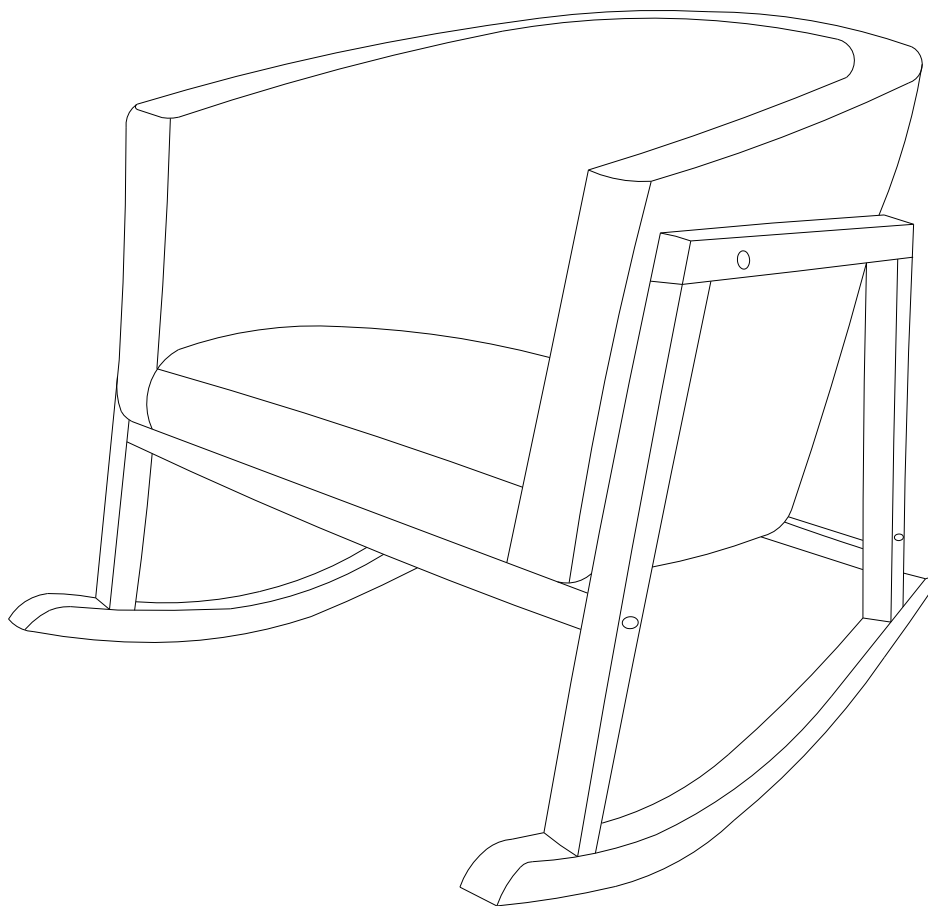


# hayneedle



**ITEM NAME:** Belham Living Rowan Tub Rocking Chair

**SKU:** REDU071-1



**For assistance with assembly, please contact customer Care Center  
1-888-880-4884**

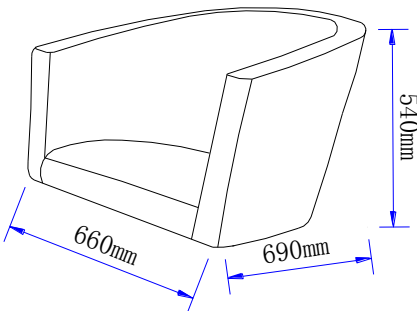
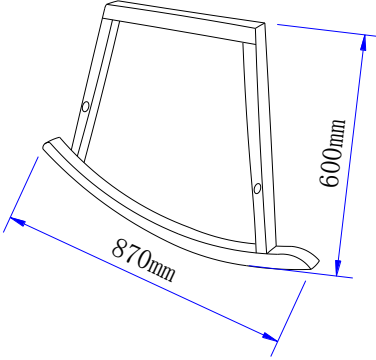
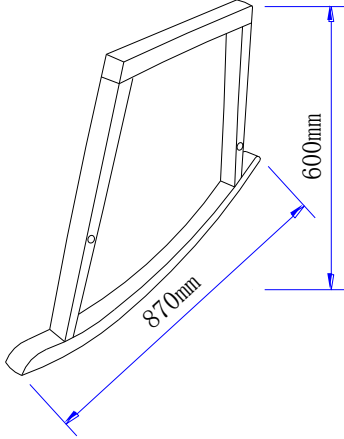
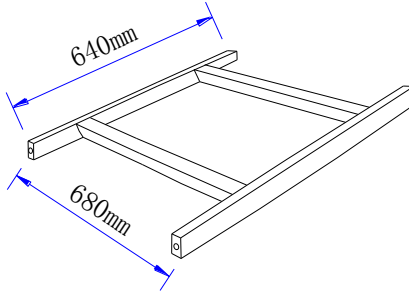
## PRE-ASSEMBLY PREPARATION:



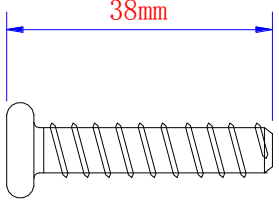
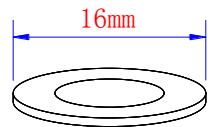
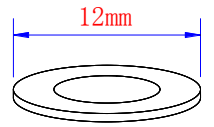
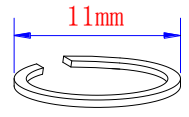
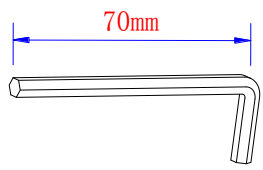
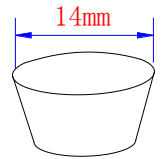
**DO NOT LET CHILDREN PLAY IN OR AROUND THE UNIT DUE TO THE POSSIBLE RISK OF FINGER ENTRAPMENT**

- Please read through this instruction before beginning assembly.
- Two adults for assembly is recommended.
- Clear out the space for assembly and lay out all parts base on Parts List. Extra room will allow you to easily determine if all the pieces are present.
- Save all packing materials until assembly is complete to avoid accidentally discarding smaller parts or hardware.
- Keep small parts and pieces away from children until fully assembly.
- Please check for any loose screws and tighten them before you use.

## PANEL AND FITTINGS IDENTIFICATION:

	
Seat cushion (1) Qty:1	Right side frame (2) Qty:1
	
Left side frame (3) Qty:1	Seat frame(4) Qty:1

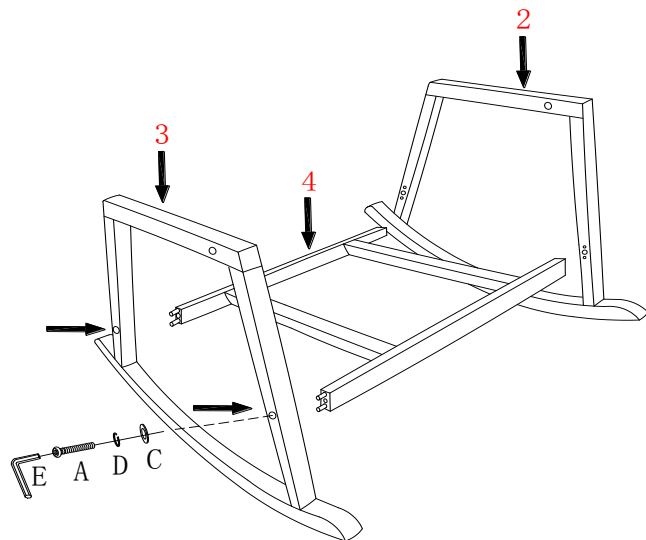
## HARDWARE LIST : Scaled to Actual Size

		
bolt (A) Qty:10	Flat Washer (B) Qty:4	Flat Washer (C) Qty:6
		
Spring Washer (D) Qty:10	Allen Key (E) Qty:1	Wood plug (F) Qty:6

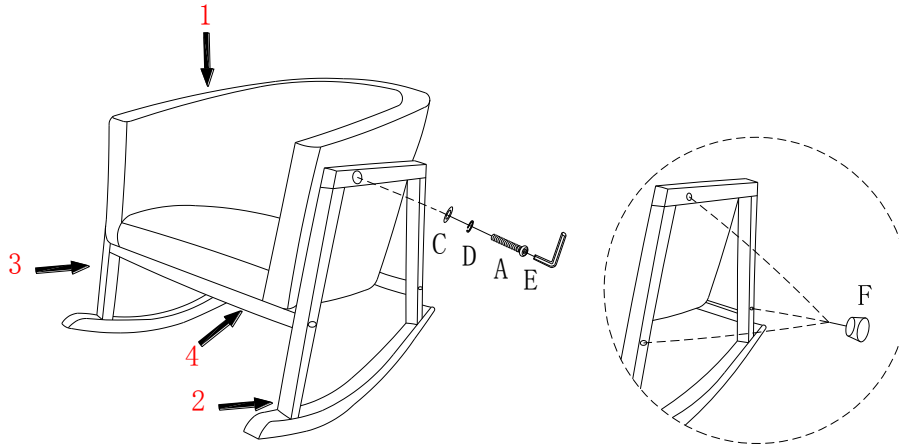
## STEP-BY-STEP ASSEMBLY:

- STEP 1:** Connect the Seat frame (4), the right and left Side frame (2 & 3) using a Bolt (A), Spring washer (D) and Flat washer (C) with the Allen key (E), Clockwise.

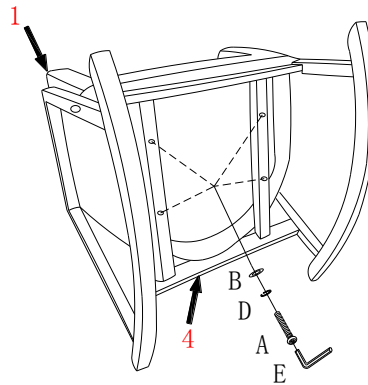
To ensure an easier assembly, we strongly advise that all fittings are only finger tightened during initial assembly. Only upon completion of the assembly should all fixing points be fully tightened.



- 2 STEP 2:** Attach the seat cushion (1) in the right and left side frame (2 & 3). Using a bolt (A), spring washer (D), flat washer (C), allen key (E). Then cover exposed holes with wood plugs (F).



- 3 STEP 3:** Attach Seat cushion (1) to the seat frame (4) using a bolt (A), spring washer (D), flat washer (B) with the allen key (E). Then level the chair and tighten all bolts securely.



## MAINTENANCE AND CARE TIPS

- Check and re-tighten screws/bolts after the product has been used for a period of time.
- Dust with a soft cloth moistened with a polish as the polish will help eliminate the scratching that occurs with dry dusting.
- Soap and water are not advisable for wood surfaces.
- It is best to keep your furniture in a climate controlled environment. Extreme temperature and humidity changes can cause warping, shrinking, and spitting of wood. It is advised to keep furniture away from direct sunlight as it may damage the finish.
- Do not stand on the unit as it with a soft surface to load the weight of body.