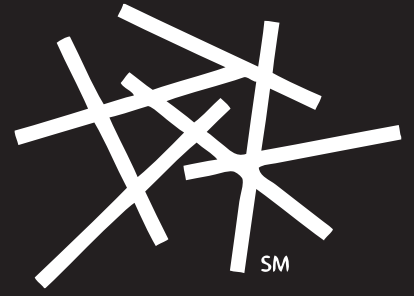
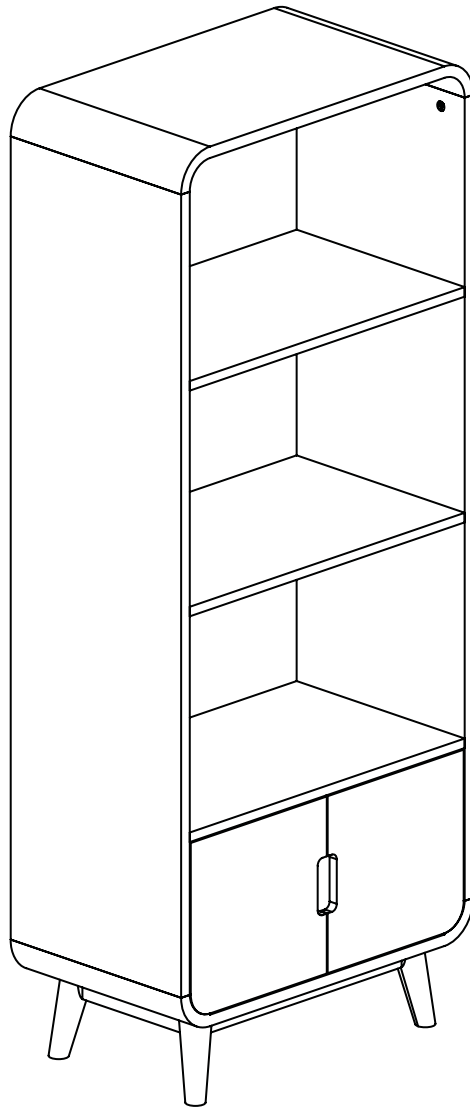


hayneedle



ITEM NAME: Belham Living Carter Mid Century Modern Bookcase
SKU: REDU053-1



For assistance with assembly, please contact customer service
1-888-880-4884

PRE-ASSEMBLY PREPARATION:



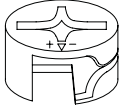

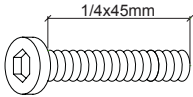
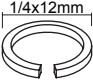
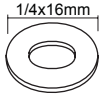
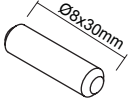
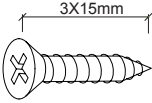

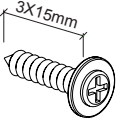
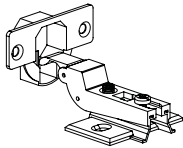
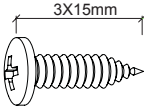
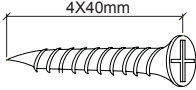
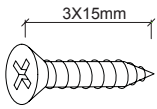
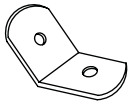
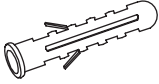
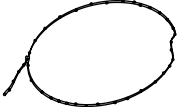


DO NOT LET CHILDREN PLAY IN OR AROUND THE UNIT DUE TO THE POSSIBLE RISK OF FINGER ENTRAPMENT

- Please read through these instructions before beginning assembly.
- Two adults are recommended for assembly.
- Clear out the space for assembly and lay out all parts based on Parts List, extra room will allow you to easily determine if all the pieces are present.
- Save all packing materials until assembly is complete to avoid accidentally discarding smaller parts or hardware.
- Keep small parts and pieces away from children until fully assembled.
- Please check for any loose screws and tighten them before you use.

PANEL AND FITTINGS IDENTIFICATION:

<p>Top Panel (1) Qty:1</p>	<p>Bottom Panel (2) Qty:1</p>	<p>Shelf (3) Qty:2</p>
<p>Bottom Shelf (4) Qty:1</p>	<p>Left Side (5) Qty:1</p>	<p>Right Side (6) Qty:1</p>
<p>Right Door (7) Qty:1</p>	<p>Left Door (8) Qty:1</p>	<p>Leg (9) Qty:4</p>
<p>Back Panel (10) Qty:2</p>	<p>Back Panel (11) Qty:1</p>	<p>Back Panel (12) Qty:1</p>

HARDWARE LIST:

 <p>Cam Lock (A)</p>	 <p>Cam Pin (B)</p>	 <p>Bolt (C)</p>
 <p>Spring Washer (D)</p>	 <p>Flat Washer (E)</p>	 <p>Wooden Dowel (F)</p>
 <p>Screw (G)</p>	 <p>Magnet (H)</p>	 <p>Screw (I)</p>
 <p>Door Hinge (J)</p>	 <p>Screw (K)</p>	 <p>Screw (L)</p>
 <p>Screw (M)</p>	 <p>Bracket (N)</p>	 <p>Wall Plug (O)</p>
 <p>Plastic Rope (P)</p>	 <p>Allen Key (Q)</p>	 <p>Phillips Screwdriver (not provided)</p>

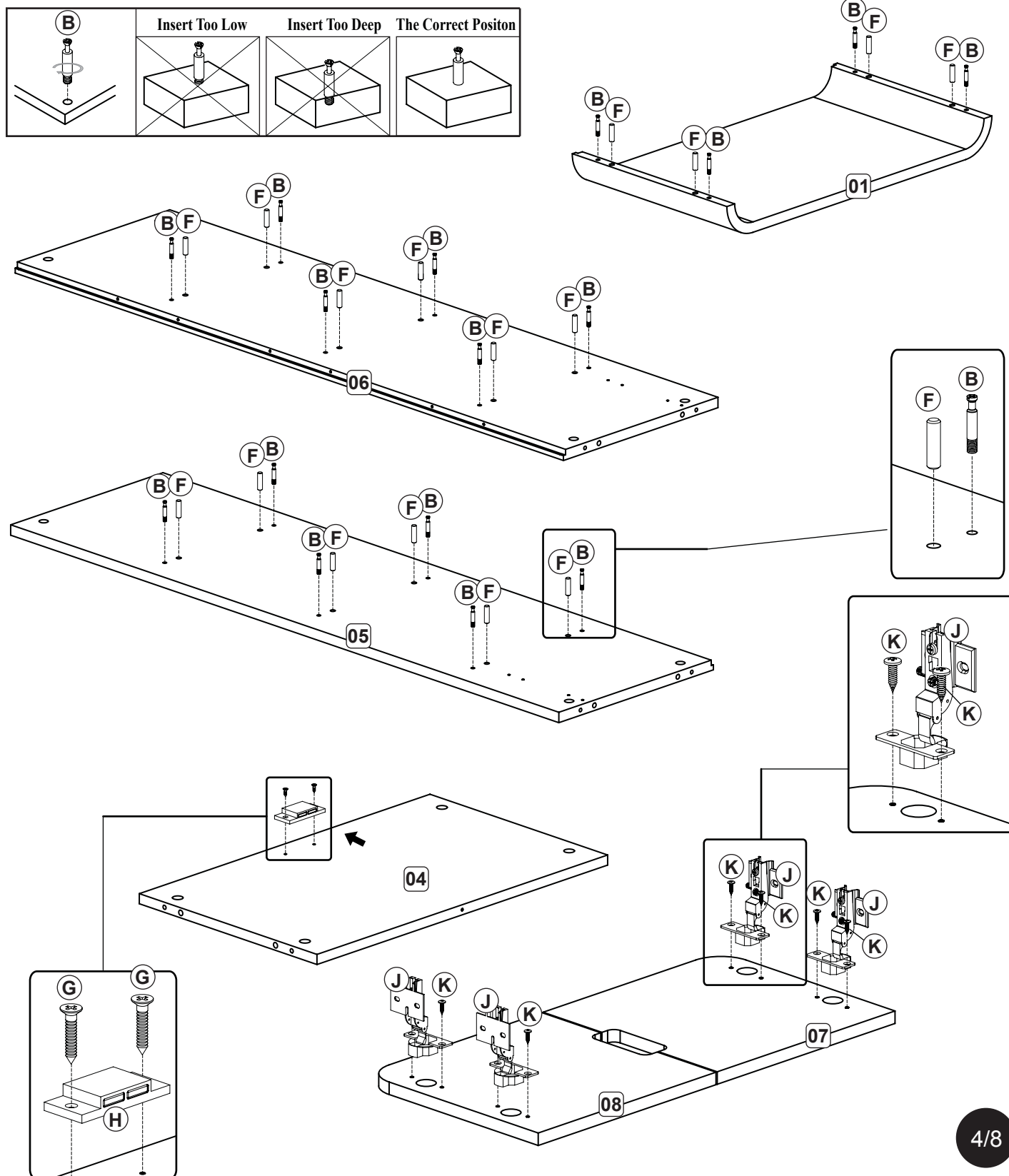
STEP-BY-STEP ASSEMBLY:

1

STEP 1:

- Assemble Cam Pins (B) and Wooden Dowels (F) to panels (01,05 and 06).
- Attach Magnet (H) to Bottom Shelf (04) using Screws (G) and attach Door Hinges (J) to Doors (06 and 07) using Screws (K), tighten with Phillips Screwdriver (not provided).

DETAIL STEP PLEASE SEE THE BELOW PICTURE.

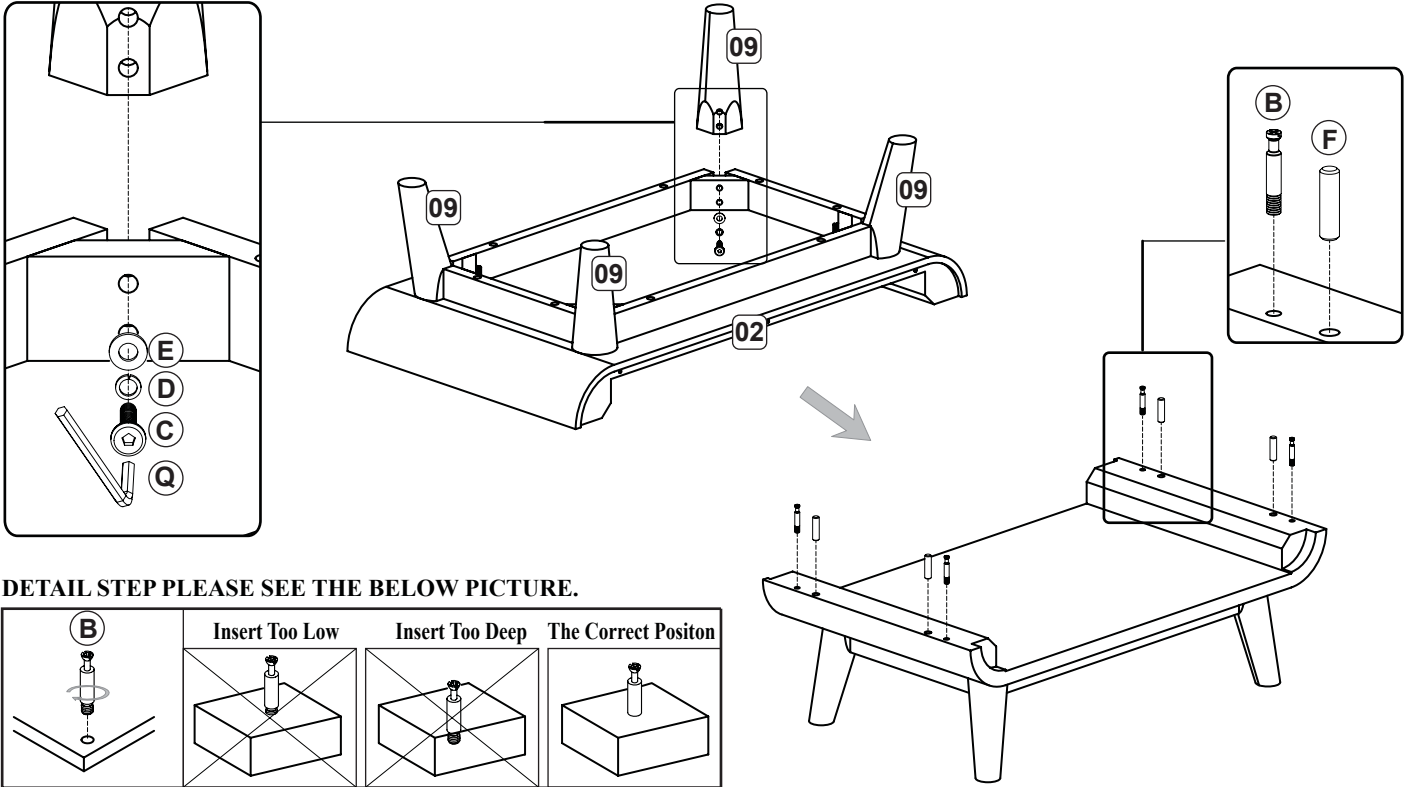


STEP-BY-STEP ASSEMBLY:

2

STEP 2:

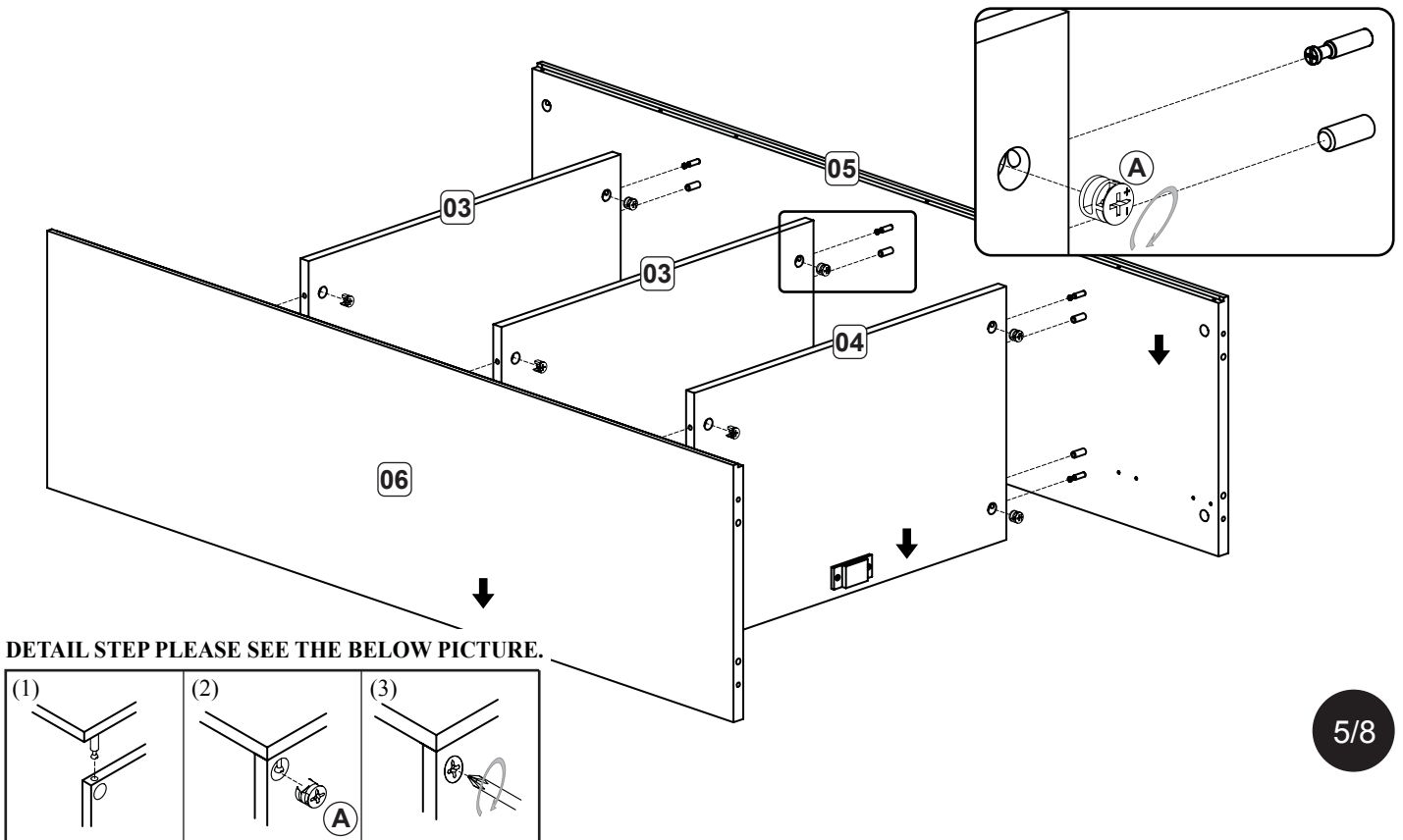
Assemble Legs (09) to Bottom Panel (02) using Bolts (C) with Spring Washers (D) and Flat Washers (E), tighten with Allen Key (Q). Then insert Cam Pins (B) and Wooden Dowels (F) into the pre-drilled holes of Bottom Panel (02).



3

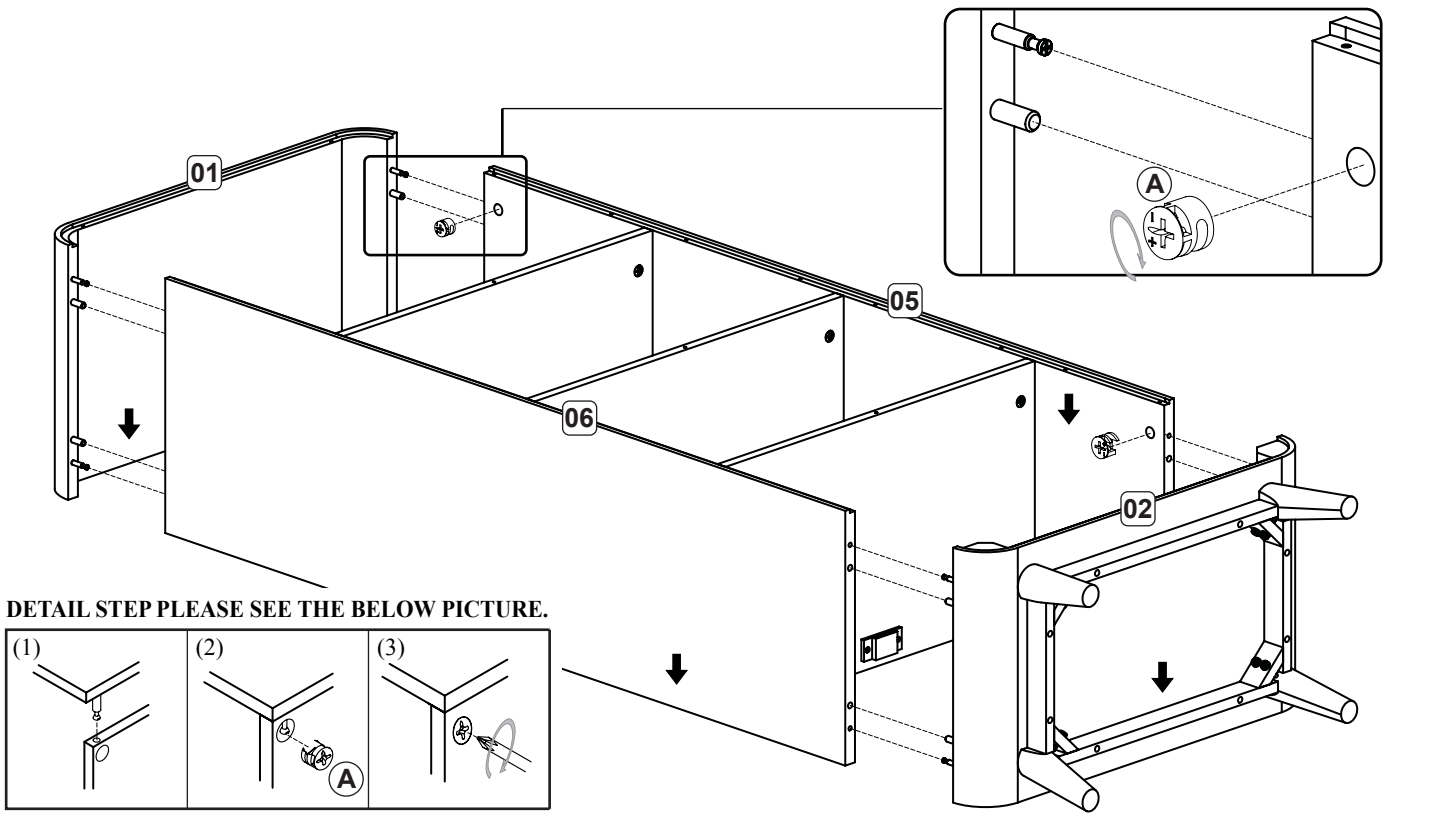
STEP 3:

Attach Shelves (03) and Bottom Shelf (04) to Left Side (05) and Right Side (06) using Cam Locks (A), tighten with Phillips Screwdriver turning 1/2 clockwise.

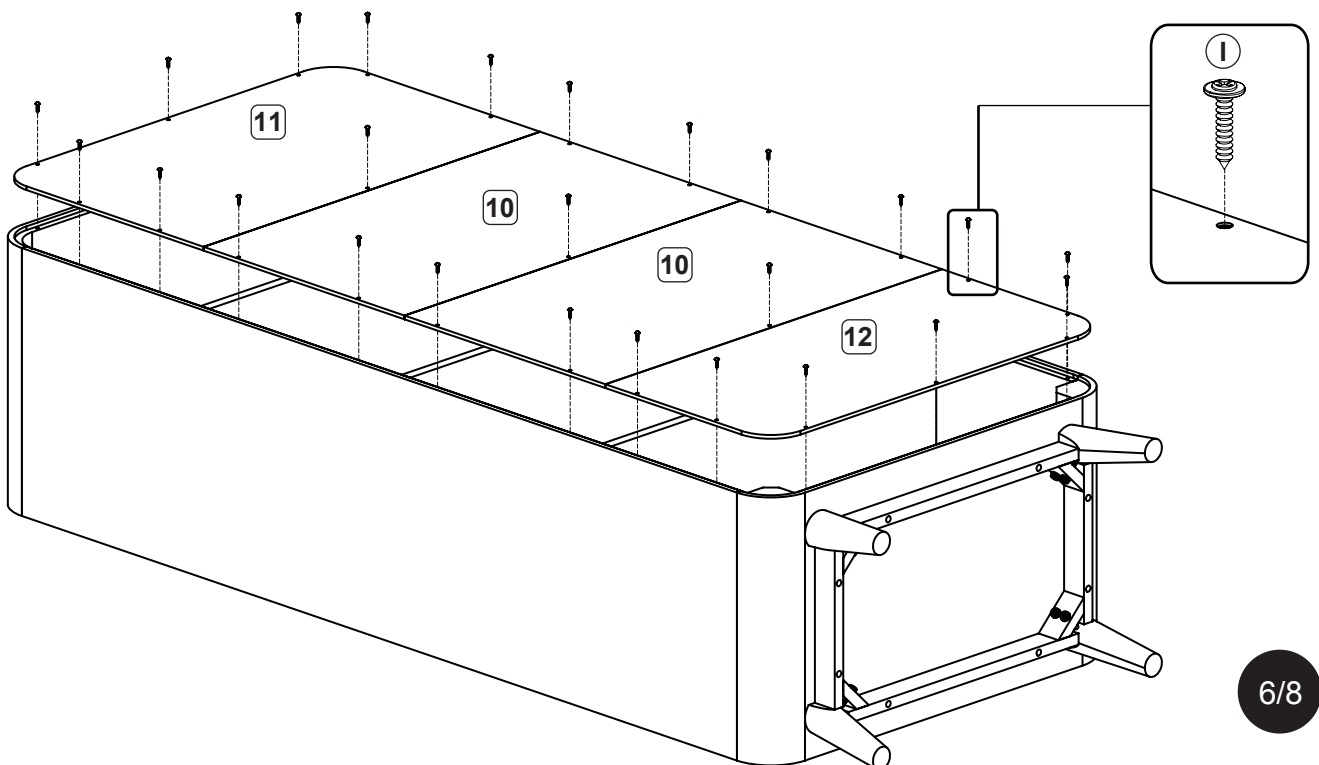


STEP-BY-STEP ASSEMBLY:

- 4** STEP 4:
Attach Top Panel (01) and Bottom Panel (02) to Left Side (05) and Right Side (06) using Cam Locks (A), tighten with Phillips Screwdriver turning 1/2 clockwise.

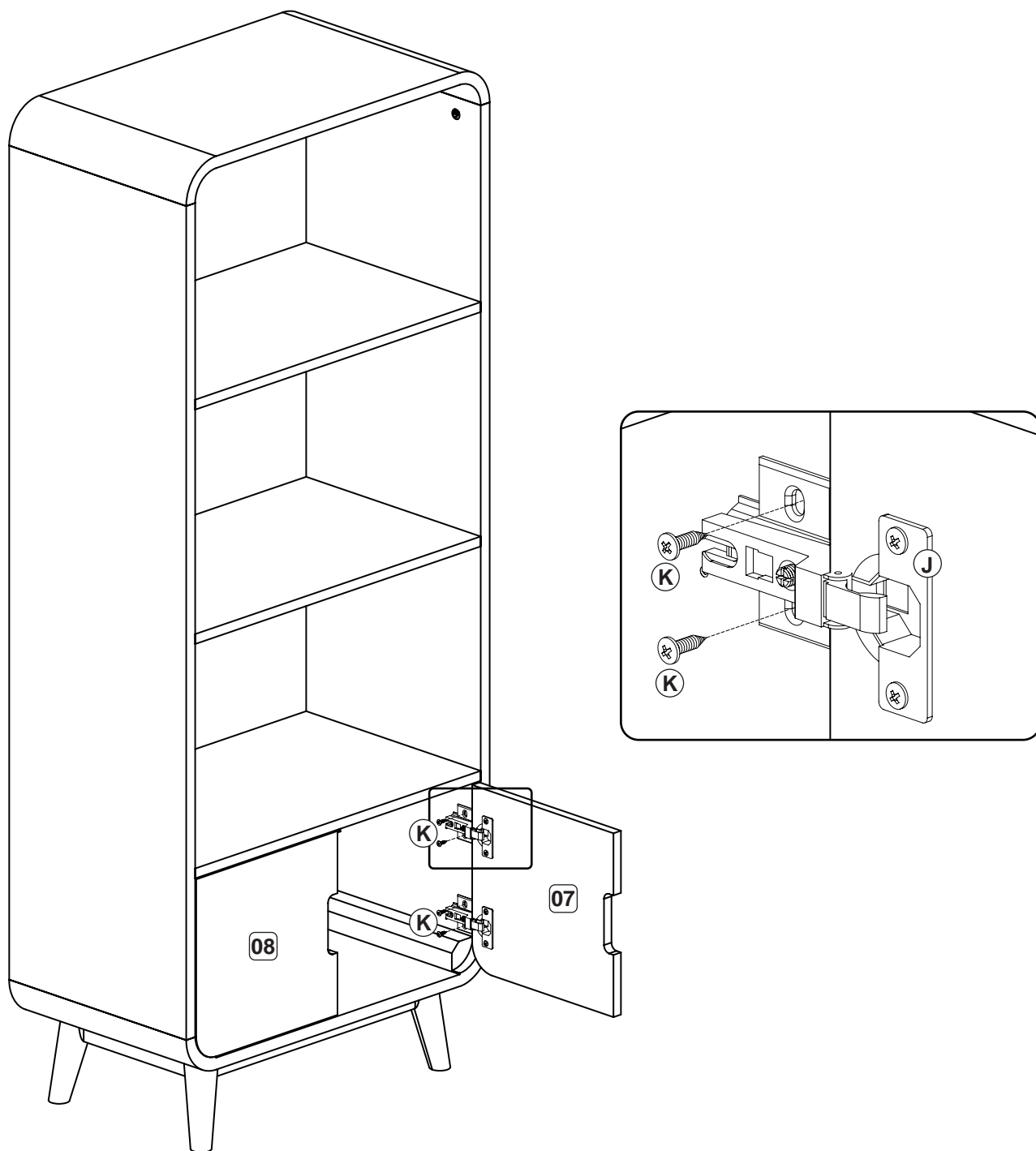


- 5** STEP 5:
Attach Back Panels (10 and 11) to the unit using Screws (I) and tighten with Phillips Screwdriver.



STEP-BY-STEP ASSEMBLY:

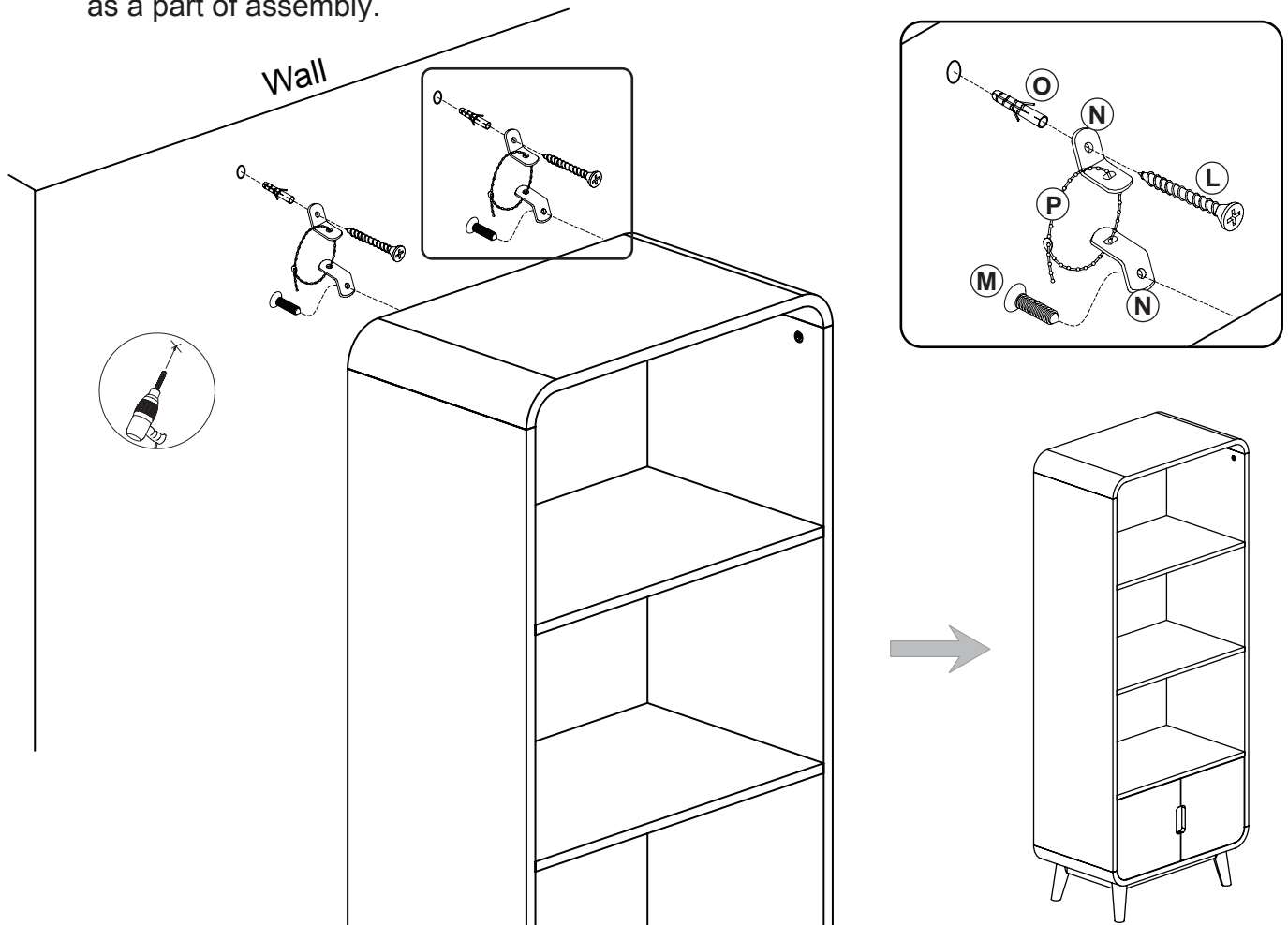
- 6** STEP 6:
Attach Doors (07 and 08) to the unit and fix Screws (K) to the Door Hinges (J), tighten with Phillips Screwdriver.



STEP-BY-STEP ASSEMBLY:

- 7** STEP 7:
- Fix two Brackets (N) to the back top of the unit using Screws (M).
 - Use electric drill to drill two small holes on the desired location of wall, insert Wall Plugs (O) into the holes by rubber mallet, use Screws (L) to attach the Brackets (N) onto wall.
 - Then use Plastic Ropes (P) to link the product and wall together as shown.

Note: This is an option step. For safety, the tilting prevent hardware should be used as a part of assembly.



MAINTENANCE AND CARE TIPS FOR WOOD FURNITURE:

Wooden furniture caring tips:

- Always dust, wipe and clean in the direction of the wood grains.
- Check and re-tighten screws/blots after the product has been used for a period of time.
- Heat creates chemical changes in the furniture finish. As a result, whitish spots may appear.
- Dust with a soft cloth moistened with a polish, as the polish will help eliminate the scratching that occurs with dry dusting.
- Soap and water are not advisable for wood surfaces.
- Do not allow rubber or vinyl material to lay on the furniture.
- Always use coasters under beverage glasses and flowerpots.
- Liquid spills should be removed immediately. Using a soft clean cloth, blot the spill gently. Avoid rubbing.
- It is best to keep your furniture in a climate controlled environment. Extreme temperature and humidity changes can cause warping, shrinking and spitting of wood. It is advised to keep furniture away from direct sunlight as it may damage the finish.