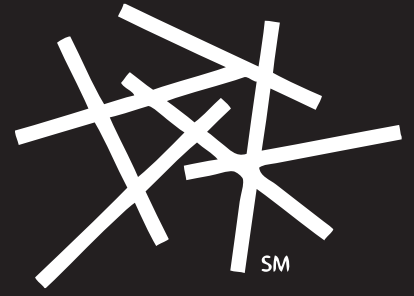
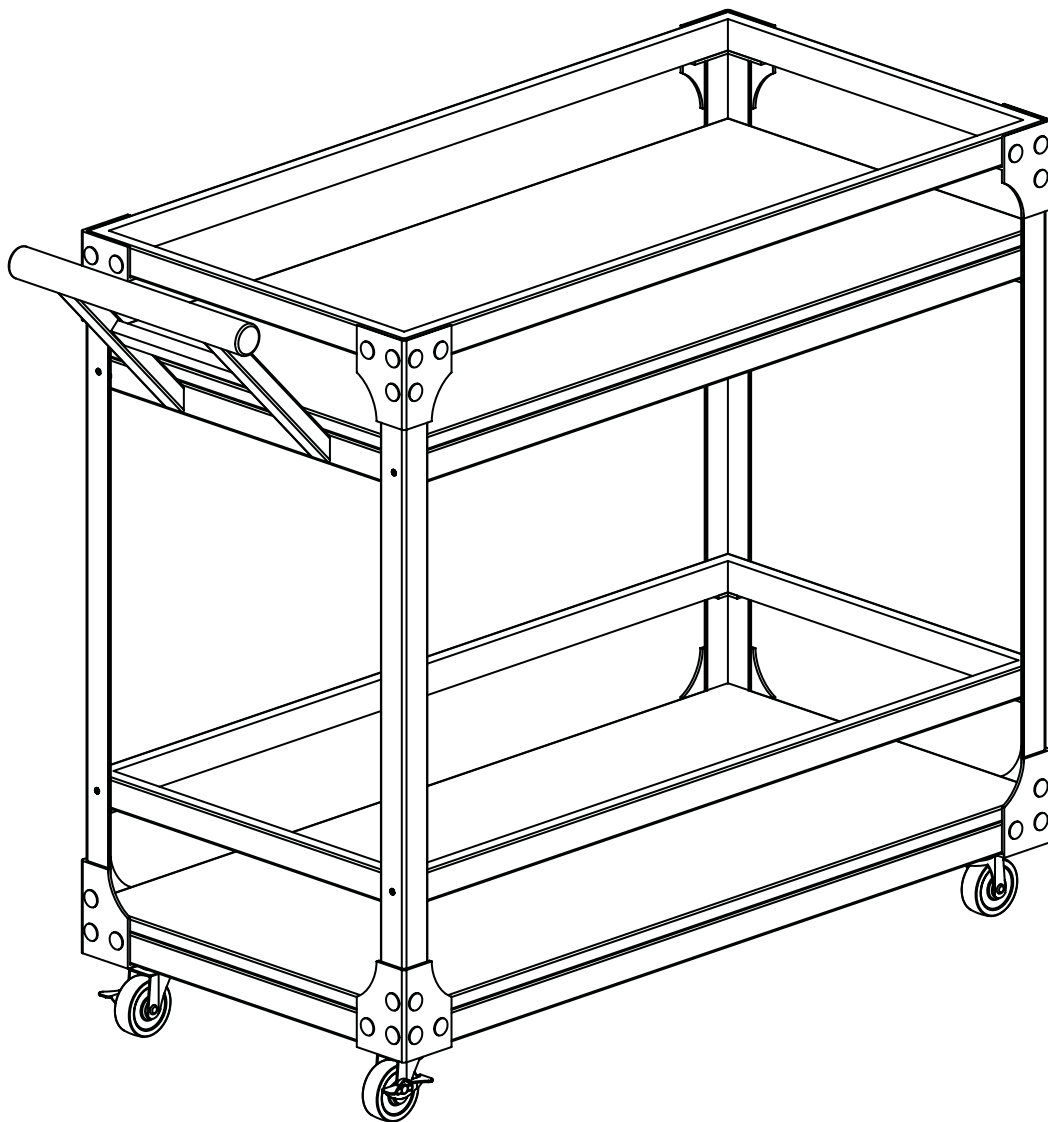


# hayneedle



ITEM NAME: Belham Living Trenton Bar Cart

SKU: REDU051-1



For assistance with assembly, please contact customer service  
1-888-880-4884

## PRE-ASSEMBLY PREPARATION:



DO NOT LET CHILDREN PLAY IN OR AROUND THE UNIT DUE TO THE POSSIBLE RISK OF FINGER ENTRAPMENT

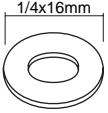

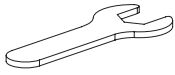

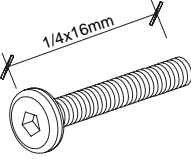
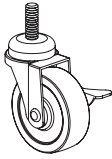
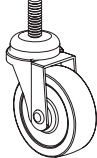
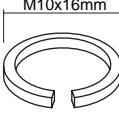
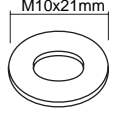

- Please read through these instructions before beginning assembly.
- Two adults are recommended for assembly.
- Clear out the space for assembly and lay out all parts based on Parts List, extra room will allow you to easily determine if all the pieces are present.
- Save all packing materials until assembly is complete to avoid accidentally discarding smaller parts or hardware.
- Keep small parts and pieces away from children until fully assembled.
- Please check for any loose screws and tighten them before you use.

## PANEL AND FITTINGS IDENTIFICATION:

<p>Top Rail (1) Qty:1</p>	<p>Top Shelf (2) Qty:1</p>	<p>Bottom Rail (3) Qty:1</p>
<p>Bottom Shelf (4) Qty:1</p>	<p>Handle (5) Qty:1</p>	<p>Leg (6) Qty:2</p>
<p>Leg (7) Qty:2</p>		

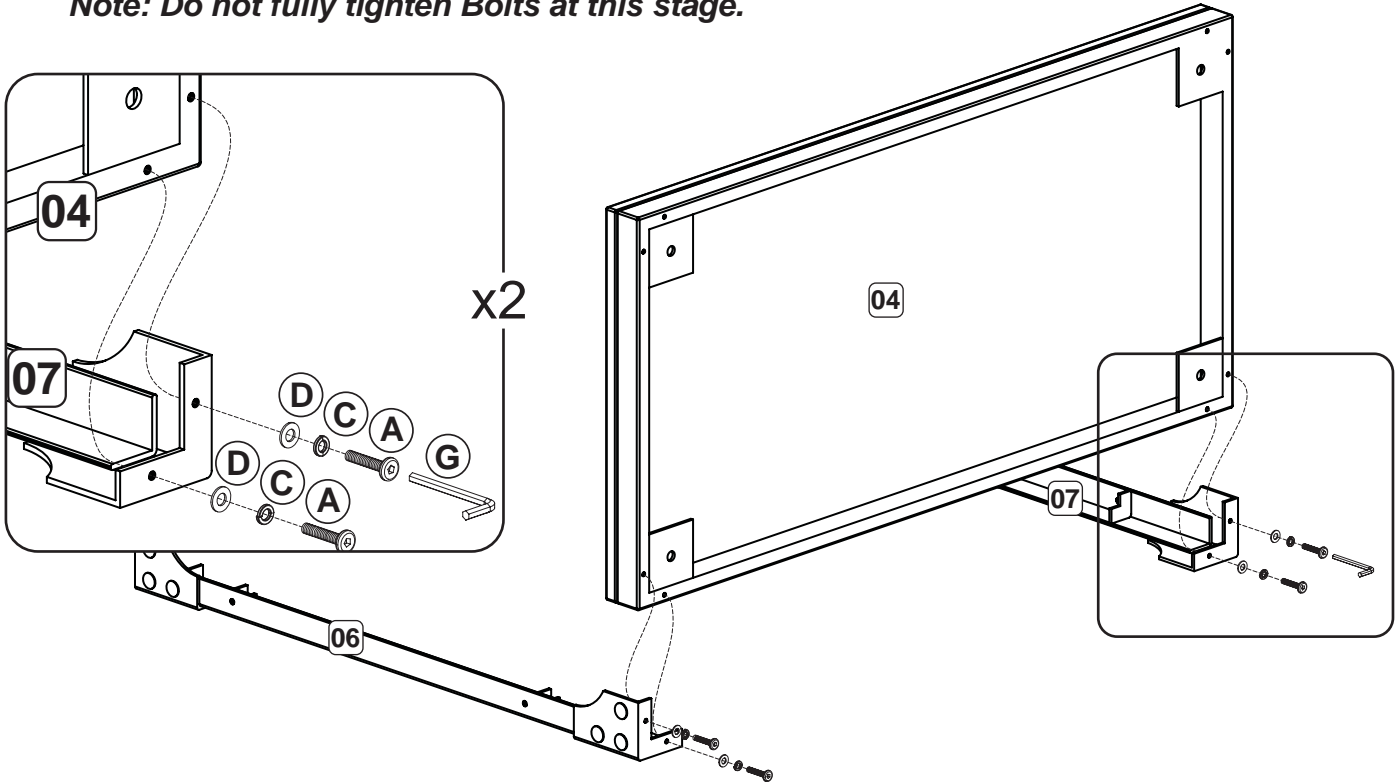
## HARDWARE LIST:

<p>Short Bolt (A) Qty:16</p>	<p>Bolt (B) Qty:8</p>	<p>Spring Washer (C) Qty:16</p>
------------------------------	-----------------------	---------------------------------

 Flat Washer (D) Qty:18	 Nut (E) Qty:4	 Spanner Wrench (F) Qty:1
 Allen Key (G) Qty:1	 Long Bolt (H) Qty:2	 Locking Caster (I) Qty:2
 Caster (J) Qty:2	 Spring Washer (K) Qty:4	 Flat Washer (L) Qty:4
hand screwdriver (not provided)		

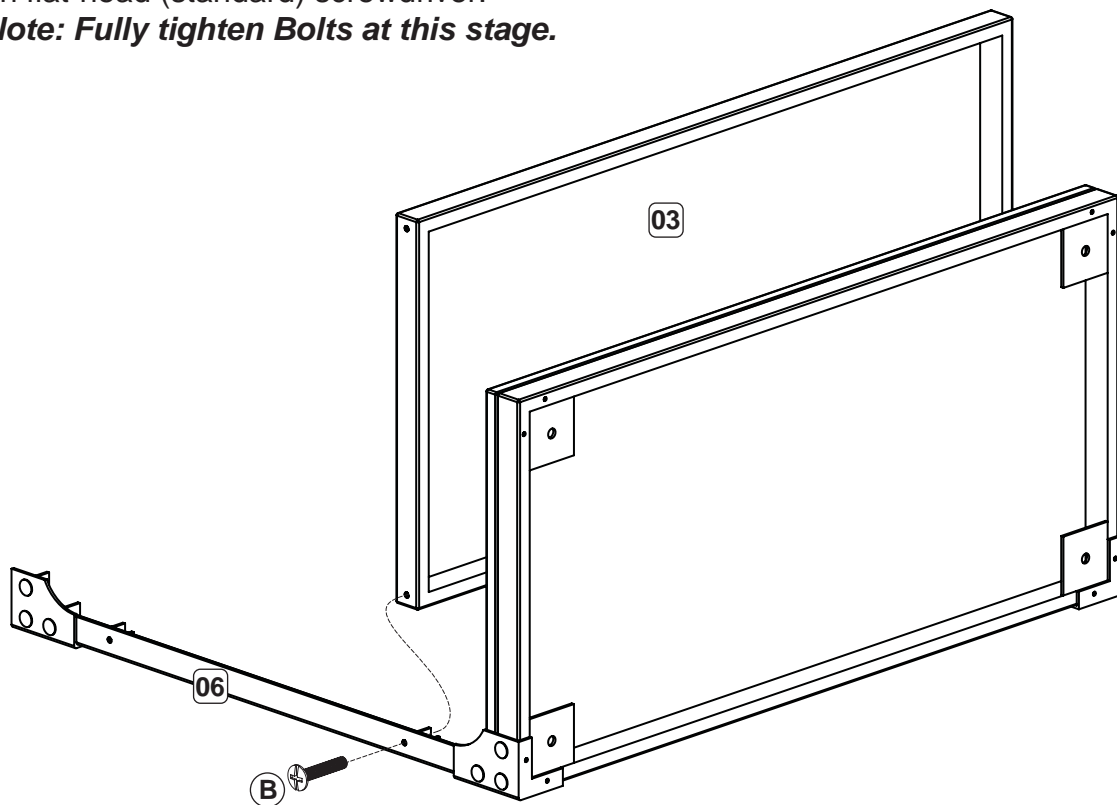
## STEP-BY-STEP ASSEMBLY:

- 1** STEP 1:  
Attach Bottom Shelf (04) to Legs (06 and 07) using Bolts (A) with Spring Washers (C) and Flat Washers (D), tighten with Allen Key (G).  
**Note: Do not fully tighten Bolts at this stage.**

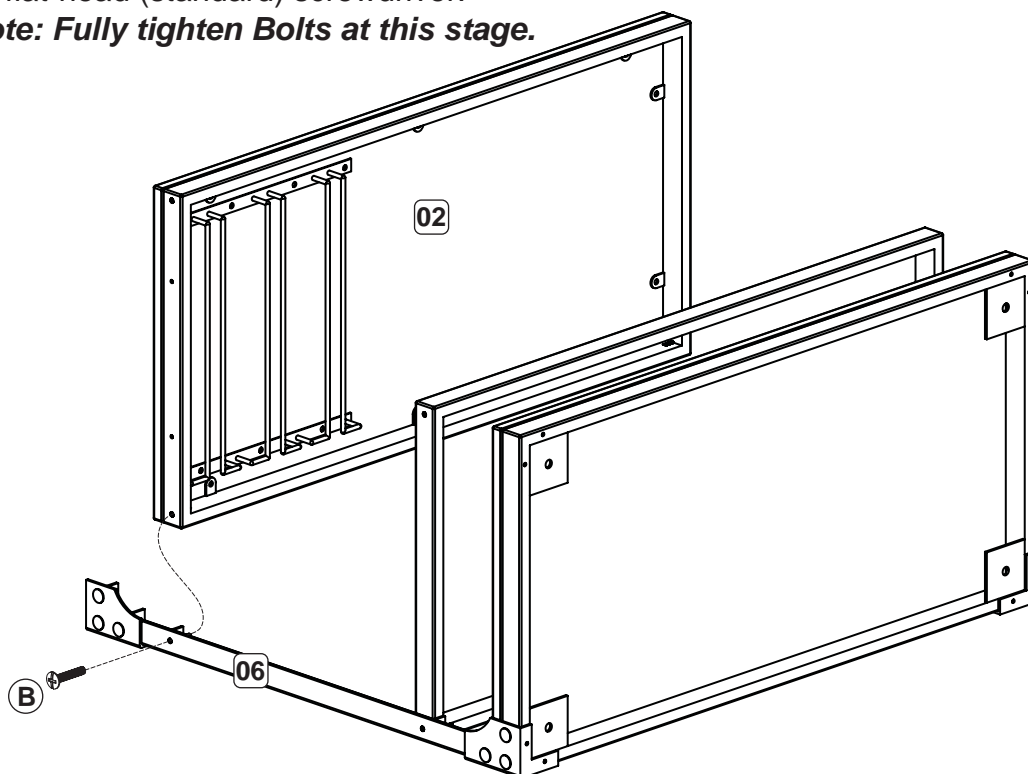


## STEP-BY-STEP ASSEMBLY:

- 2** STEP 2:  
Attach Bottom Rail (03) to the assembled legs (06 and 07) using Bolts (B) and tighten with an flat-head (standard) screwdriver.  
**Note: Fully tighten Bolts at this stage.**

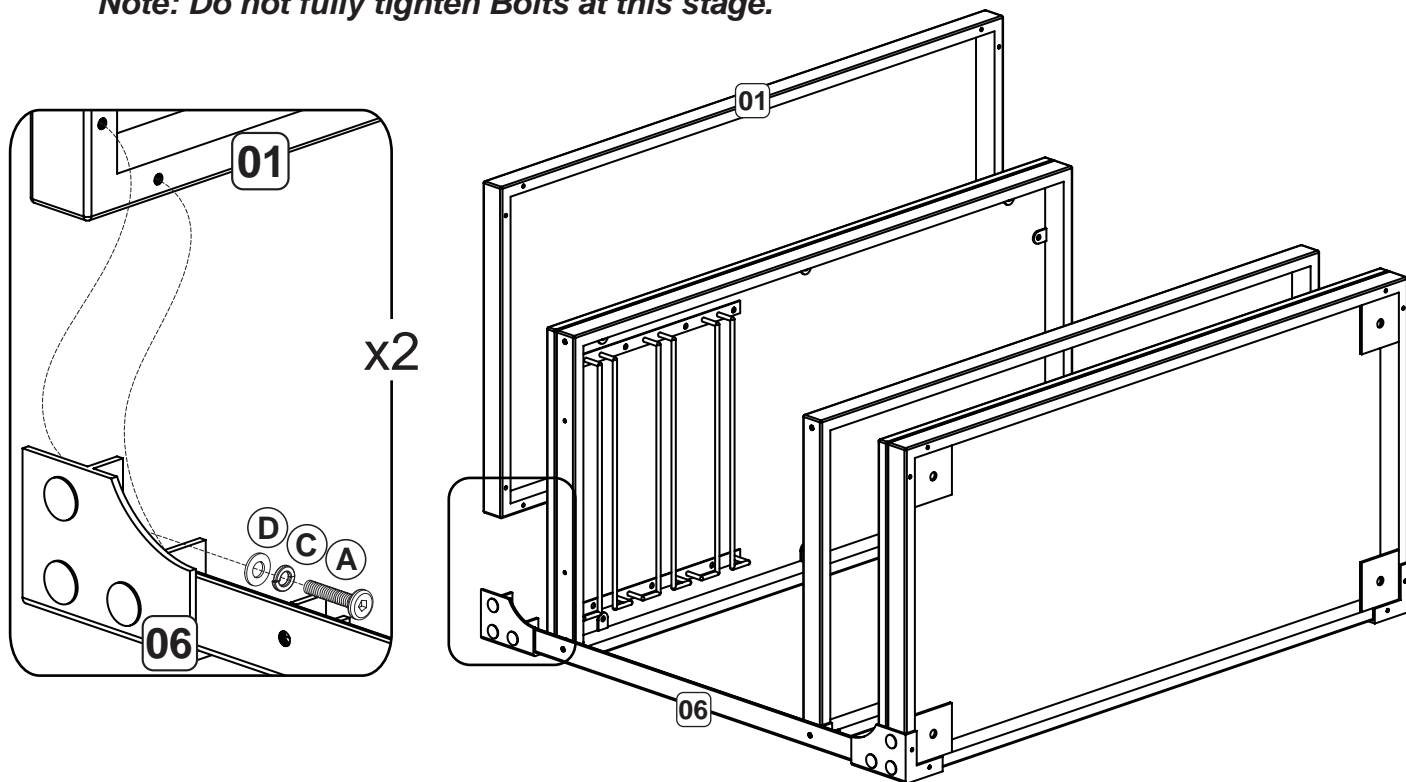


- 3** STEP 3:  
Attach Top Shelf (02) to the assembled legs (06 and 07) using Bolts (B) and tighten with an flat-head (standard) screwdriver.  
**Note: Fully tighten Bolts at this stage.**

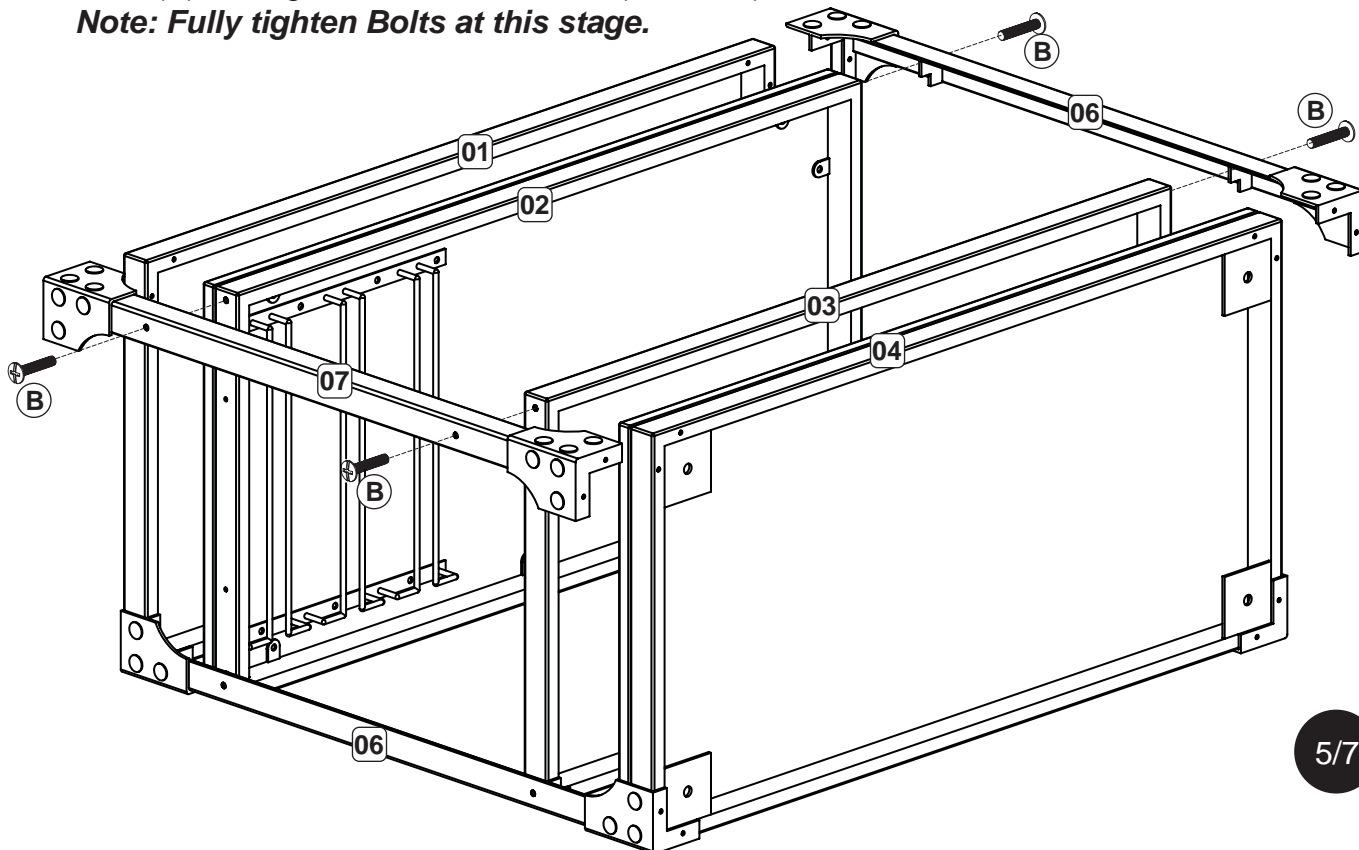


## STEP-BY-STEP ASSEMBLY:

- 4** STEP 4:  
Assemble Top Rail (01) to Legs (06 and 07) using Bolts (A) with Spring Washers (C) and Flat Washers (D), tighten with Allen Key (G).  
**Note: Do not fully tighten Bolts at this stage.**

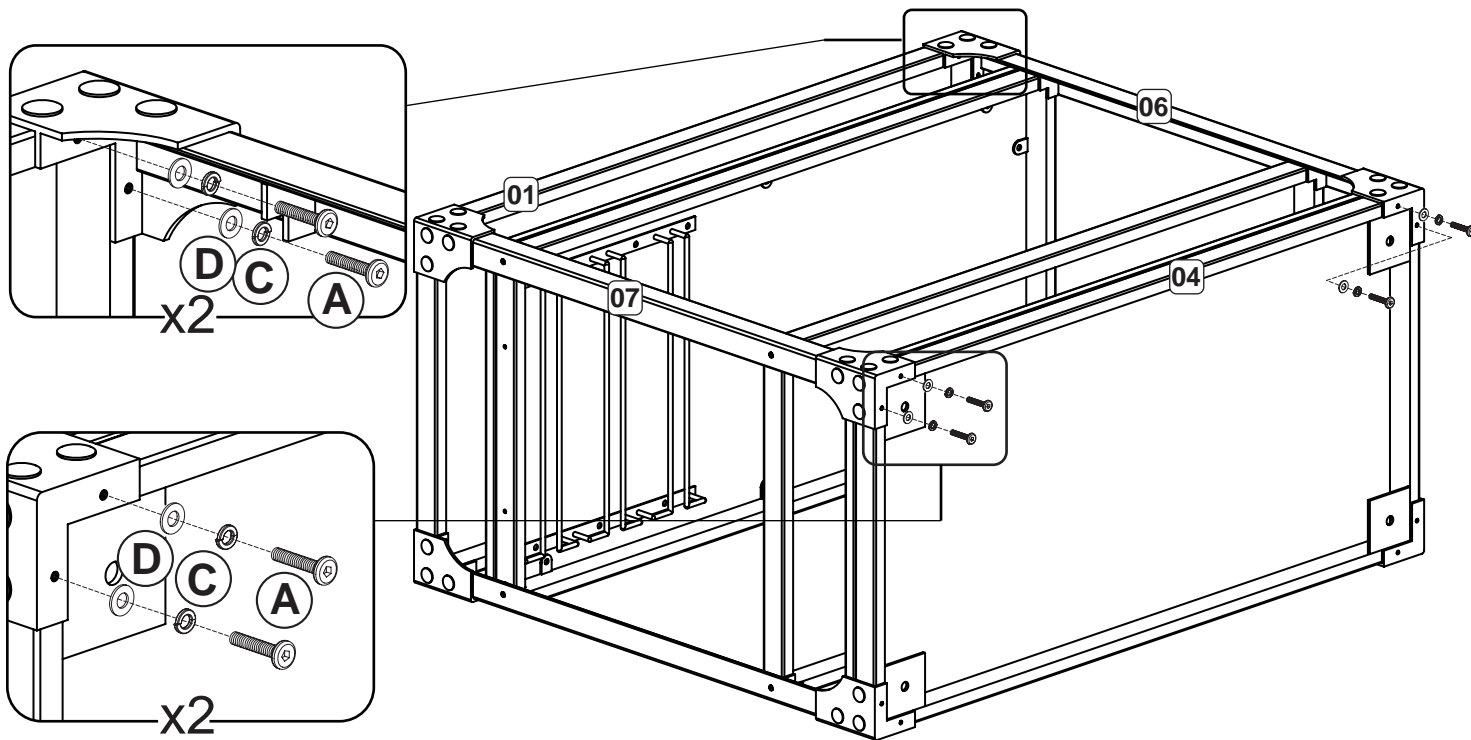


- 5** STEP 5:  
Attach Legs (06 and 07) to the assembled shelves (02 and 04) and rails (01 and 03) using Bolts (B) and tighten with an flat-head (standard) screwdriver.  
**Note: Fully tighten Bolts at this stage.**

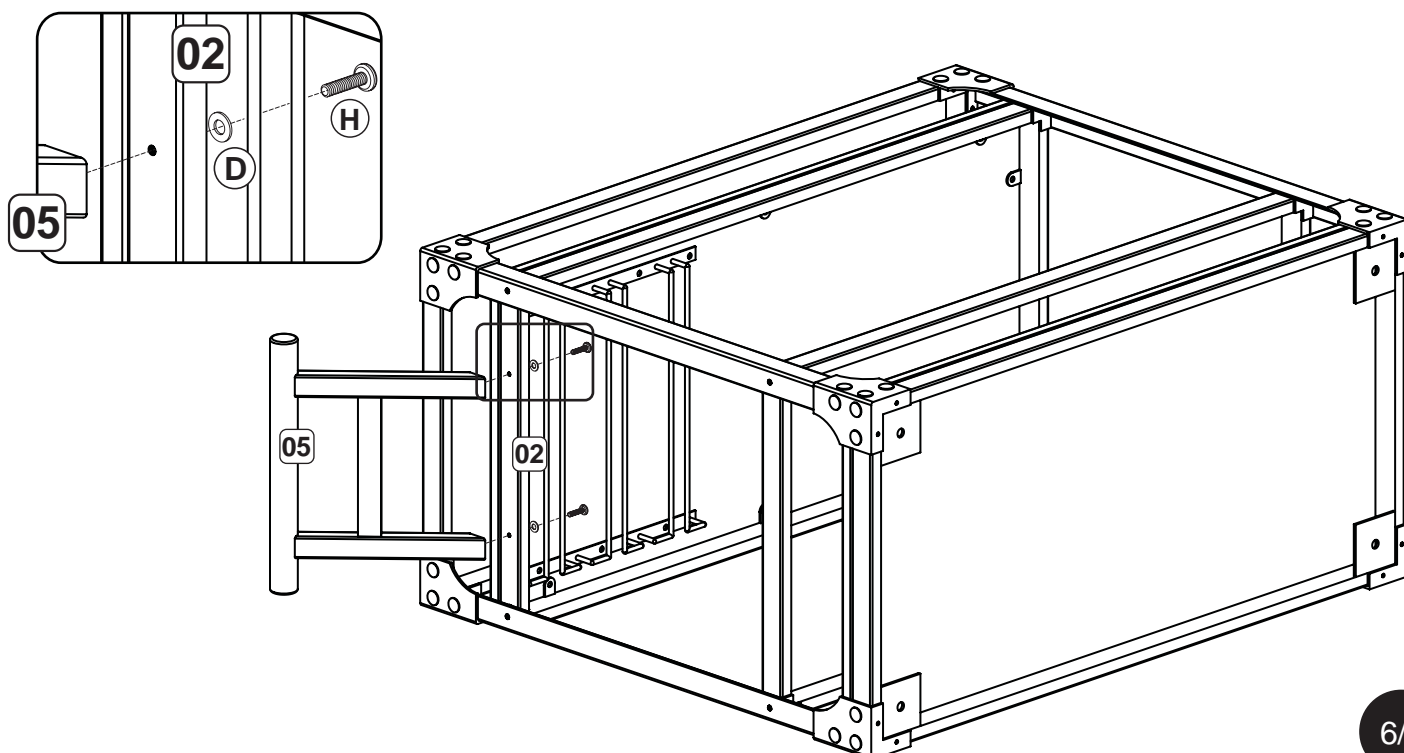


## STEP-BY-STEP ASSEMBLY:

- 6** STEP 6:  
Fix Bolts (A) with Spring Washers (C) and Flat Washers (D) to lock the Top Rail (01) and Bottom Shelf (04), tighten with Allen Key (G).  
*Note: Fully tighten all Bolts at this stage.*

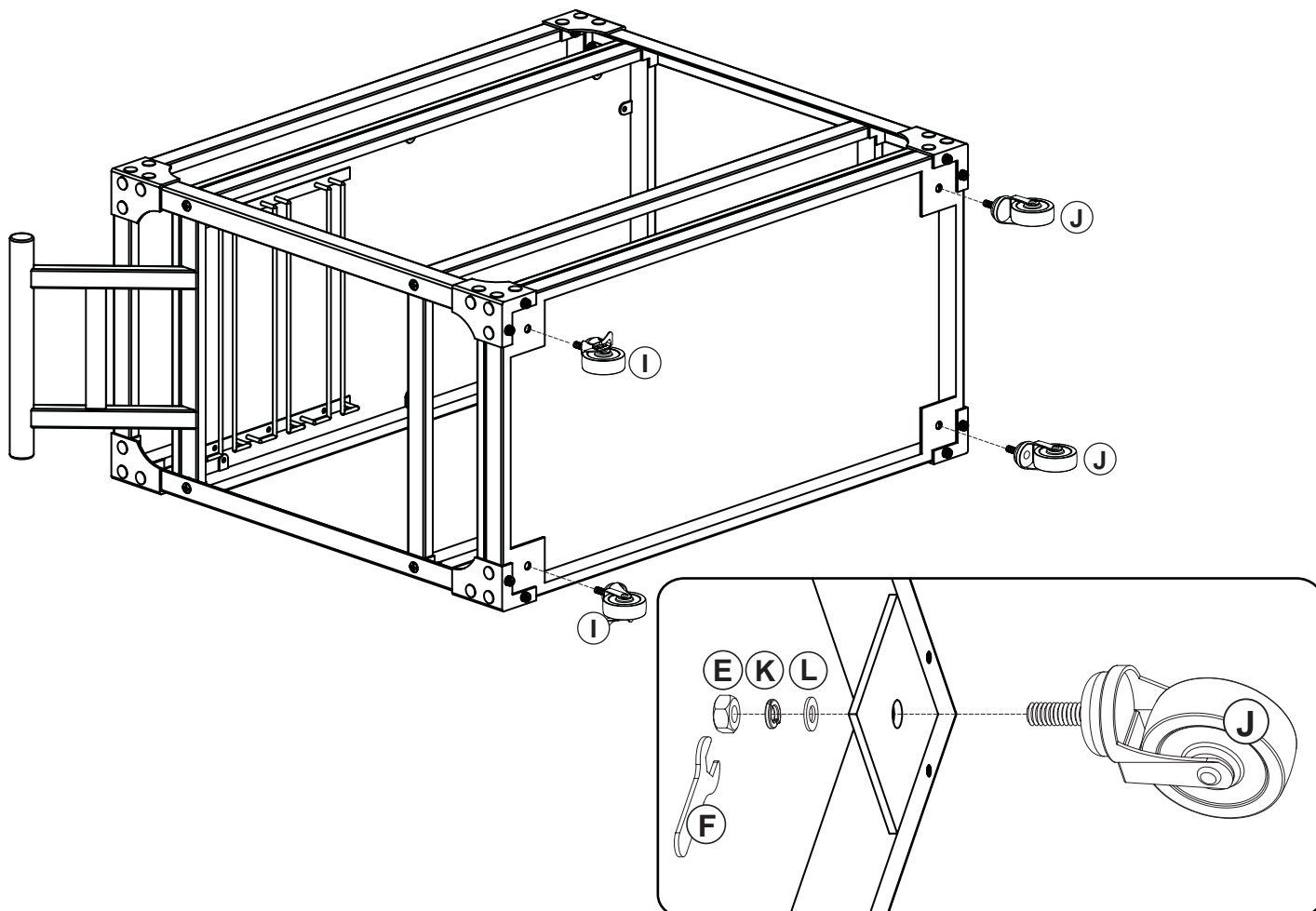


- 7** STEP 7:  
Assemble the Handle (05) to Top Shelf (02) using Long Bolts (H) with Flat Washers (D) and tighten with Allen Key (G).



## STEP-BY-STEP ASSEMBLY:

- 8** STEP 8:  
With the unit on its side, attach the Casters (I and J) using Flat Washers (L), Spring Washers (K) and Nuts (E), tighten with Spanner Wrench (F).



## MAINTENANCE AND CARE TIPS FOR WOOD FURNITURE:

### Wooden furniture caring tips:

- Always dust, wipe and clean in the direction of the wood grains.
- Check and re-tighten screws/blots after the product has been used for a period of time.
- Heat creates chemical changes in the furniture finish. As a result, whitish spots may appear.
- Dust with a soft cloth moistened with a polish, as the polish will help eliminate the scratching that occurs with dry dusting.
- Soap and water are not advisable for wood surfaces.
- Do not allow rubber or vinyl material to lay on the furniture.
- Always use coasters under beverage glasses and flowerpots.
- Liquid spills should be removed immediately. Using a soft clean cloth, blot the spill gently. Avoid rubbing.
- It is best to keep your furniture in a climate controlled environment. Extreme temperature and humidity changes can cause warping, shrinking and spitting of wood. It is advised to keep furniture away from direct sunlight as it may damage the finish.