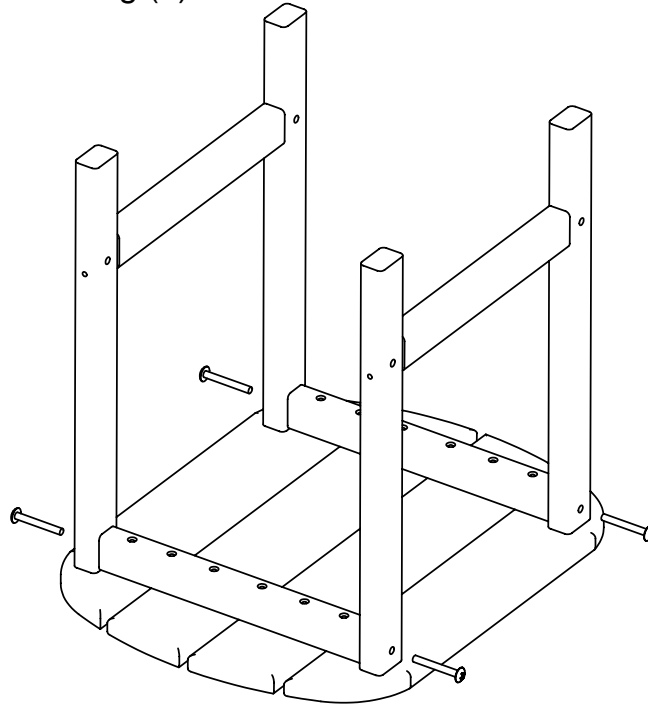


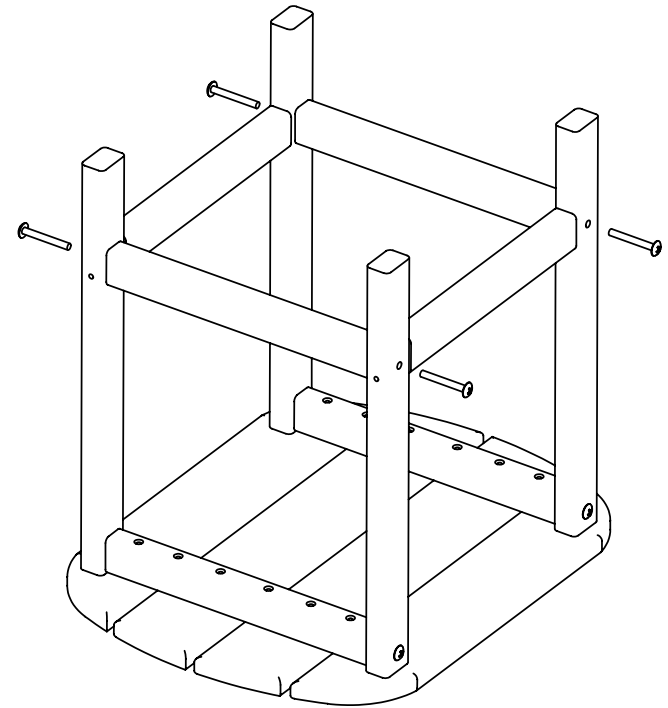


Assembly Instructions  
 Model: SBT18, SBT26

**Step 1**  
 Attach sideframes to table top  
 using (4) 2" screws



**Step 2**  
 Attach braces to sideframes  
 using (4) 2" screws



- (1) Table top
- (2) Sideframes
- (2) Braces
- (1) Hardware pack

**TOOLS NEEDED**

Phillips head screwdriver

Qty.	Description
------	-------------

8	A - 14x2" Screw
---	-----------------

All screws are truss head type B      All hardware is SS