



Assembly Instructions  
Model: SBC76

- \_\_\_ (1) Seat
- \_\_\_ (1) Back
- \_\_\_ (2) Front legs
- \_\_\_ (2) Back legs
- \_\_\_ (2) Mid legs
- \_\_\_ (2) Arms
- \_\_\_ (3) Braces
- \_\_\_ (1) Hardware pack

**TOOLS NEEDED**

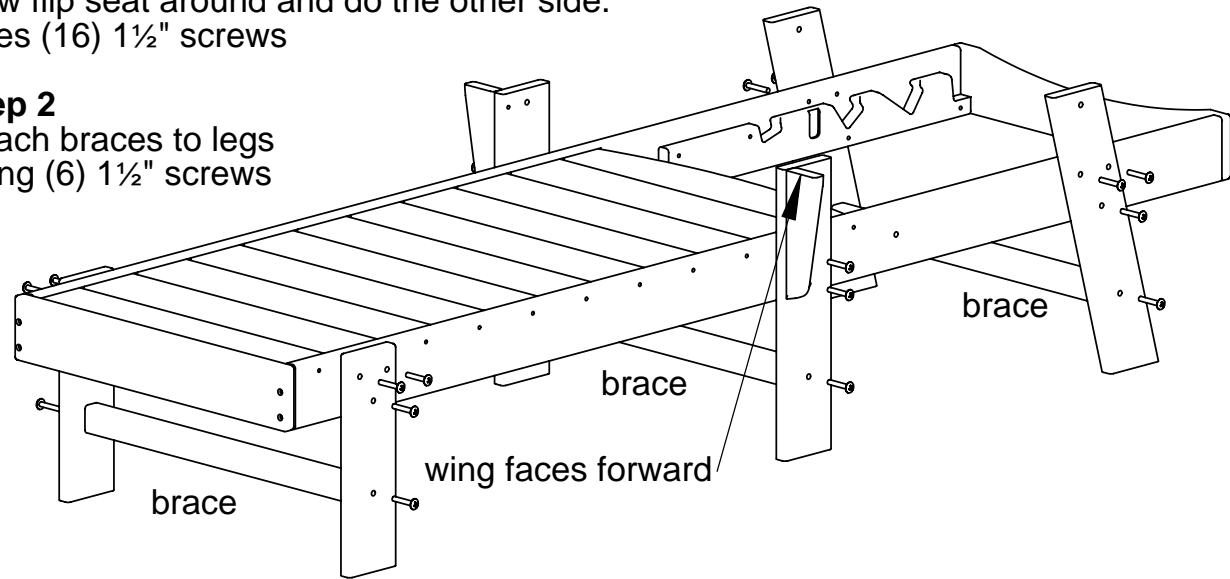
Phillips head screwdriver

**Step 1**

Lay seat on its side. Attach legs to seat.  
Now flip seat around and do the other side.  
Uses (16) 1½" screws

**Step 2**

Attach braces to legs  
using (6) 1½" screws

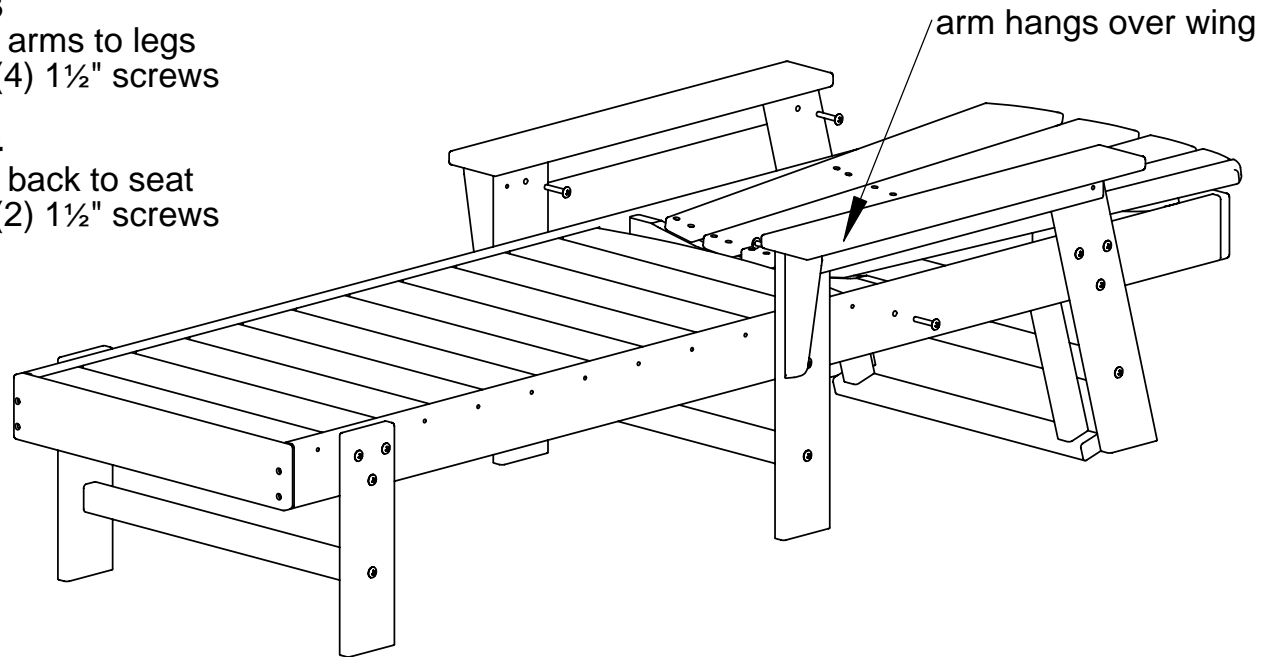


**Step 3**

Attach arms to legs  
using (4) 1½" screws

**Step 4**

Attach back to seat  
using (2) 1½" screws



Qty.	Description
28	A - 14x1½" Screw

28



A - 14x1½" Screw

All screws are truss head type B

All hardware is SS