

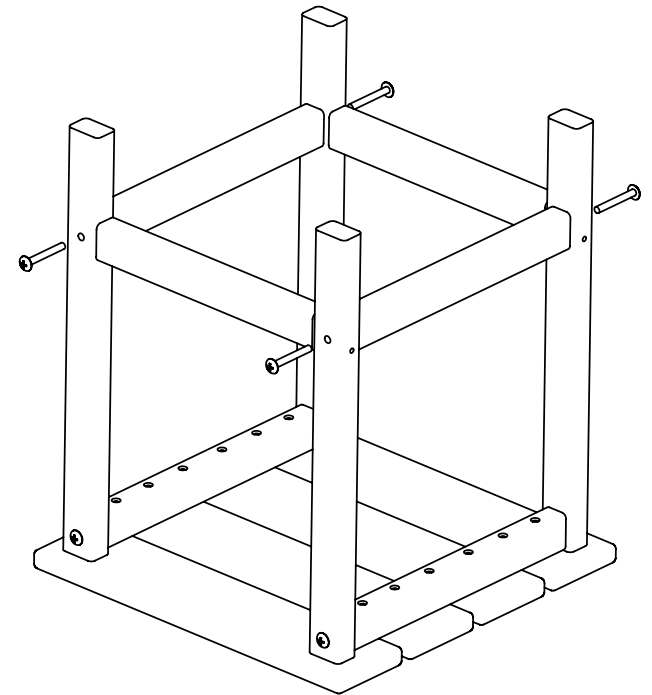
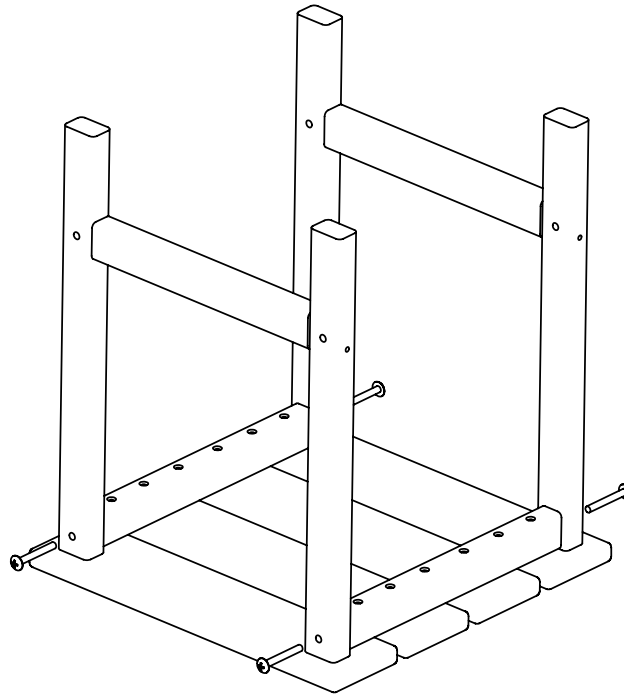


Assembly Instructions
Model: ECT18, ECT26

Step 1
Attach sideframes to table top
using (4) 2" screws

Step 2
Attach braces to sideframes
using (4) 2" screws

- (1) Table top
- (2) Sideframes
- (2) Braces
- (1) Hardware pack

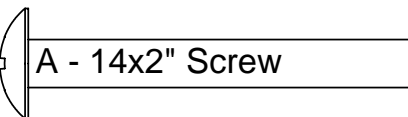


TOOLS NEEDED

Phillips head screwdriver

Qty.	Description
------	-------------

8



All screws are truss head type B All hardware is SS