



# Assembly Instructions

Model: NS48

\*Note: Prep eyebolt with nut and washer  
Take nut to end of thread.

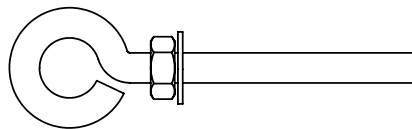
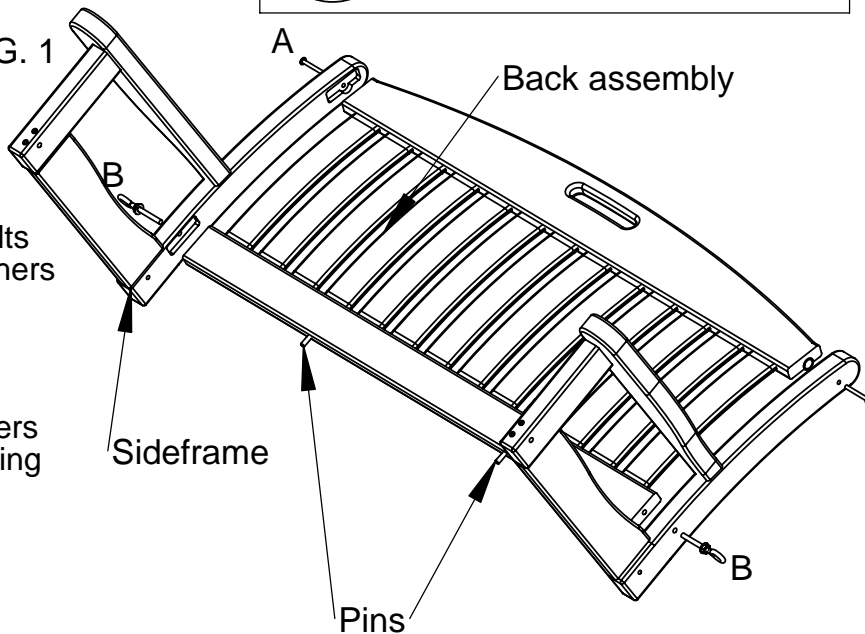


FIG. 1



## Step 1 (FIG. 1)

Lay back assembly on the floor  
Attach the side frames using (2) 2 1/4" bolts  
and (2) 4 1/4" eyebolts with nuts and washers  
Insert pins into back assembly

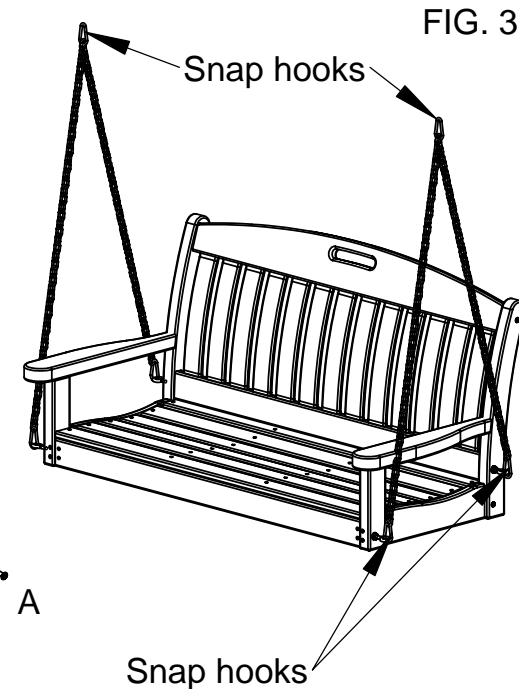
## Step 2 (FIG. 2)

Set swing upright and attach the seat  
using (2) 5" eyebolts with nuts and washers  
Then, push seat into pins and attach using  
(2) 2 1/4" bolts

## Step 3 (FIG. 3)

Attach Snap hooks to Eyebolts  
Attach Chain to Snap hooks

Hanging note: recommended distance apart is 55"



Qty.	Description
------	-------------

4 A - 2 1/4" bolt (1/4)

2 B - 4 1/4" Eyebolt (5/16)

2 C - 5" Eyebolt (5/16)

4 5/16 Washer

4 5/16 Nut

2 5/16 Pin

2 78" Chain

6 Snap hook

**TOOLS NEEDED**  
5/32" HEX KEY: INCLUDED

