



Assembly Instructions  
Model: NCC2280

**Step 1**  
Attach front legs to seat assembly using (4) 1 3/4" bolts.

**Step 2**  
Attach arm assemblies to the seat assembly and the back assembly using (6) 1 3/4" bolts.

**Step 3**  
Attach metal brace to the seat using (2) 1 1/2" bolts.

**Step 4**  
Attach stretchers to the legs using (8) 2 1/4" bolts.

- (2) Sideframe
- (1) Seat
- (1) Back
- (4) Stretcher
- (2) Front leg
- (1) Metal brace
- (1) Hardware pack

**TOOLS NEEDED**  
5/32" HEX KEY: INCLUDED

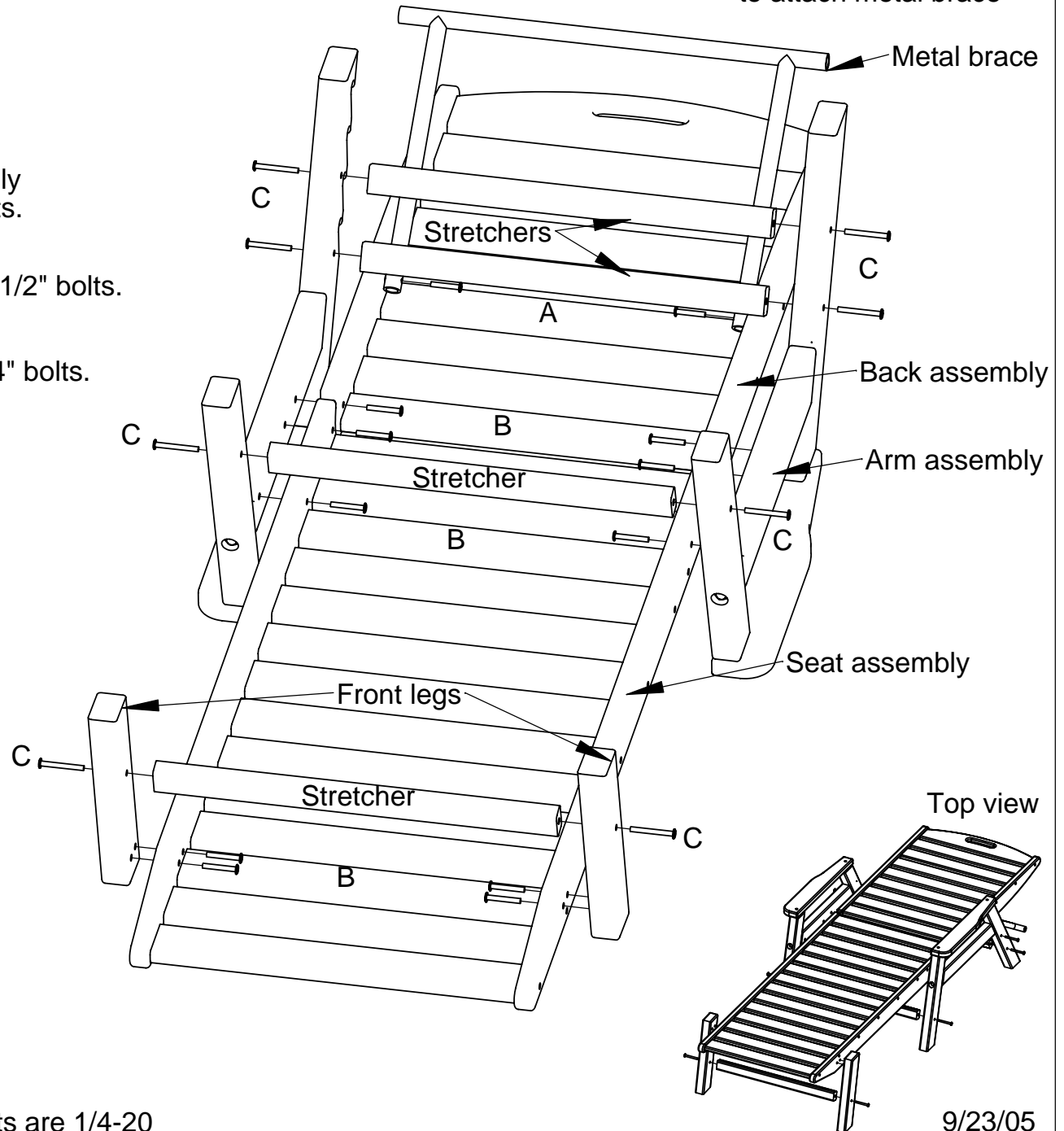


Qty.	Description
2	A-1 1/2" Chair Bolt
10	B - 1 3/4" Chair Bolt
8	C - 2 1/4" Chair Bolt

All bolts are 1/4-20

Bottom View

\*Use the shortest bolts to attach metal brace



9/23/05