



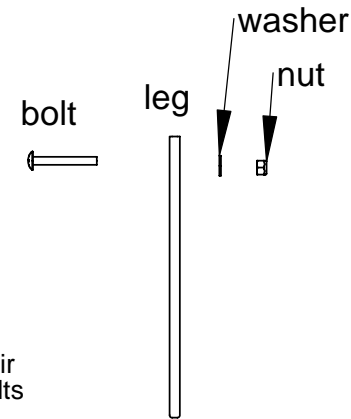
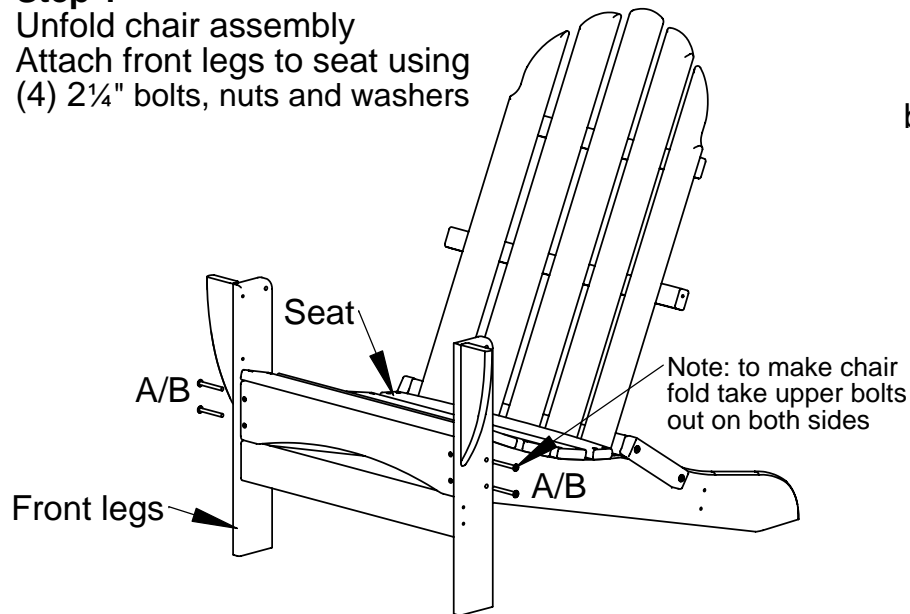
Assembly Instructions
Model: CBAD

- ___ Seat & Back assembly
- ___ Front leg assembly
- ___ Arms
- ___ Hardware pack

Tools Needed

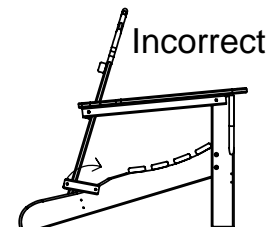
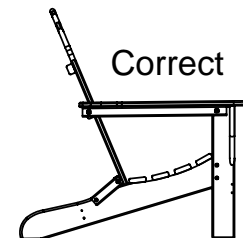
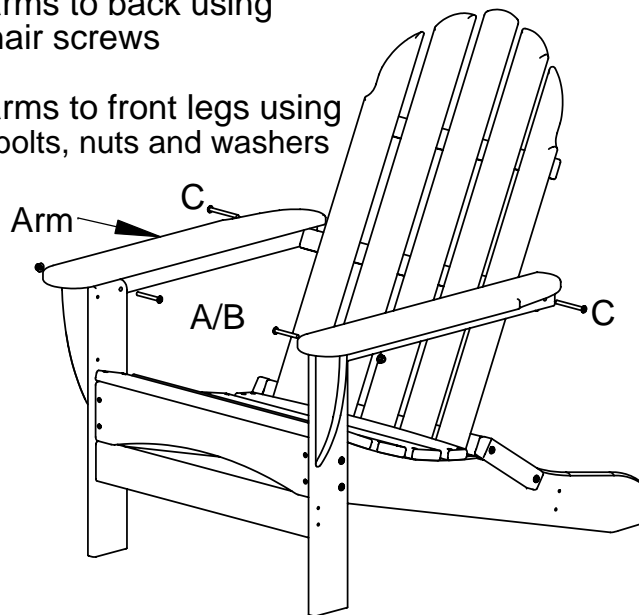
- 7/16 wrench
- Phillips head screwdriver or 4mm hex key

Step 1
 Unfold chair assembly
 Attach front legs to seat using
 (4) 2 1/4" bolts, nuts and washers



Step 2
 Attach arms to back using
 (2) 3" chair screws

Attach arms to front legs using
 (2) 2 1/4" bolts, nuts and washers



Qty.	Description
------	-------------

6	A - 2 1/4" Bolt
---	-----------------

6	B - 1/4" Washer
---	-----------------

6	B - 1/4" Lock nut
---	-------------------

2	C - 3" Chair screw
---	--------------------